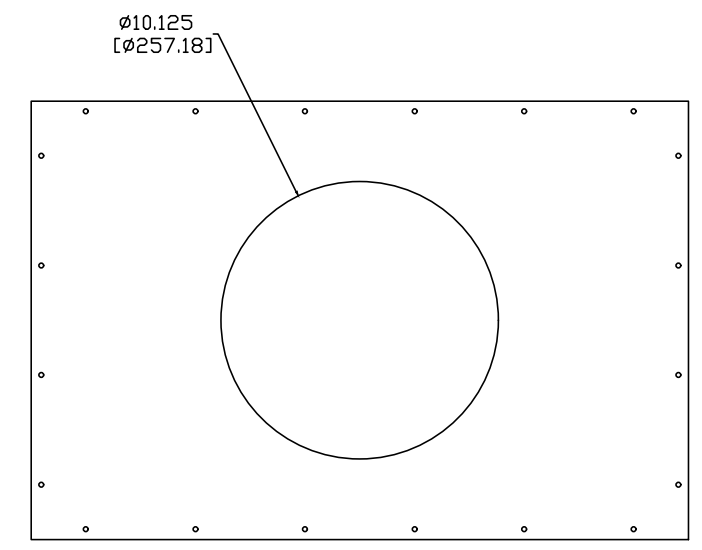
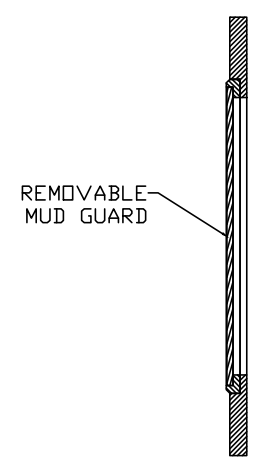
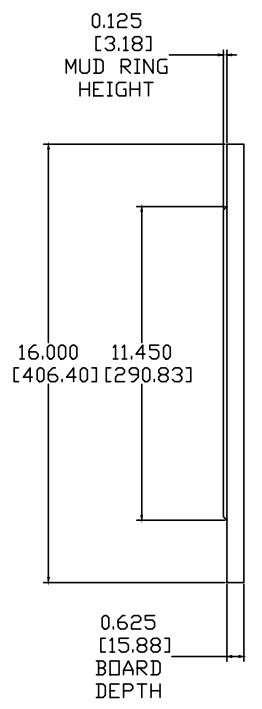
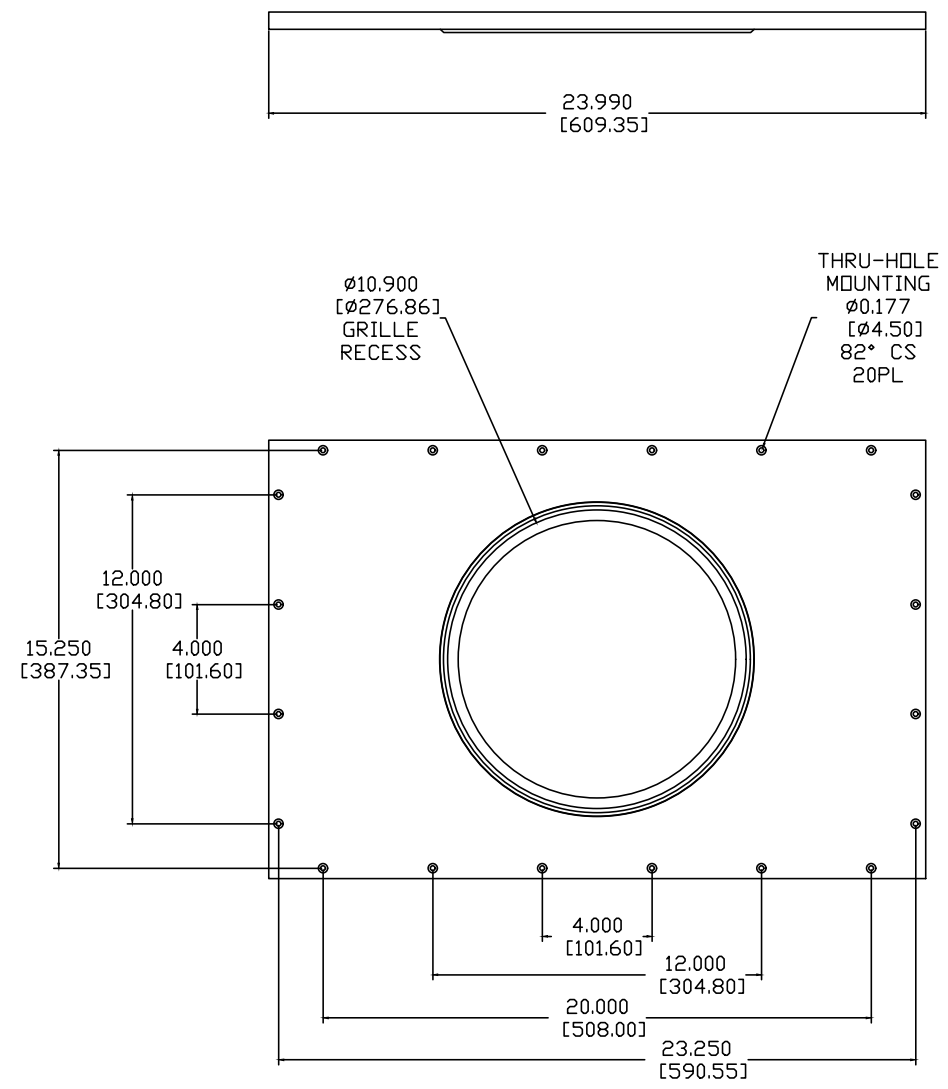
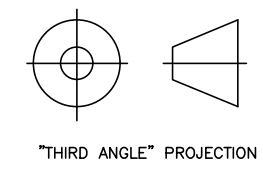


REVISIONS				
ECN	REV.	DESCRIPTION	DATE	APPROVED
	A	RELEASE FOR PRODUCTION	01-25-19	
22001	B	REDESIGN MUD RING TO FRONT MOUNT	01-21-22	



NOTES:

- 1: MATERIAL - MDF WOOD  
UNLESS OTHERWISE SPECIFIED
- 2: FINISH - TBD
- 3: DESIGNED TO BE USED WITH 5/8" THICK SHEETROCK



"THIRD ANGLE" PROJECTION

PROPRIETARY INFORMATION THE DESIGNS, INFORMATION, AND DATA CONTAINED HEREIN ARE PROPRIETARY AND ARE SUBMITTED IN CONFIDENCE, AND SHALL NOT BE DISCLOSED, USED OR DUPLICATED IN WHOLE OR IN PART, FOR ANY PURPOSES WHATSOEVER, WITHOUT THE PRIOR WRITTEN PERMISSION OF JAMES LOUDSPEAKER LLC, 2185 PARK PL, MINDEN, NV 89423. THIS LEGEND SHALL BE MARKED ON ANY REPRODUCTIONS HEREOF IN WHOLE OR IN PART. RECEIPT OF THIS DOCUMENT SHALL BE DEEMED TO BE AN ACCEPTANCE OF THE CONDITIONS SPECIFIED HEREIN.	<i>JAMES LOUDSPEAKER</i>	
	<i>QXC820R</i>	
	P/N: QXC820R-PBF.625	
	DWR #: 190125-S201	
	REVISED BY: S. LDESCH	
	DRAWN BY: S. LDESCH	
	DATE: 01-25-19	
	APPROVED:	
	DRAFTING APPROVED:	
	SCALE:	
TOLERANCES: ANG: ± = .5° FRACT. ± = 1/32		
DECIMALS: .XX ± = .01 .XXX ± = .005		
<b>REVISION: B</b>		
SHEET 1 OF 4		