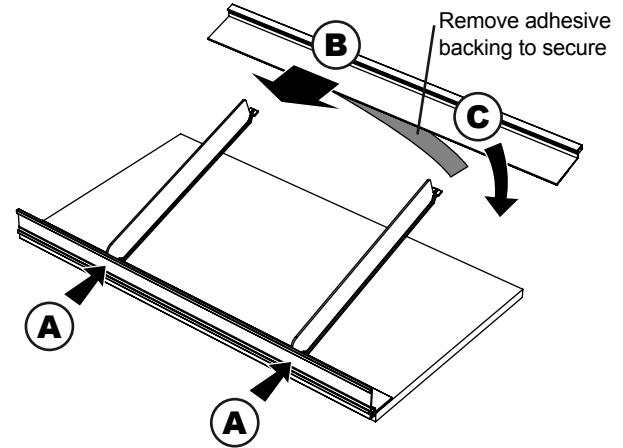
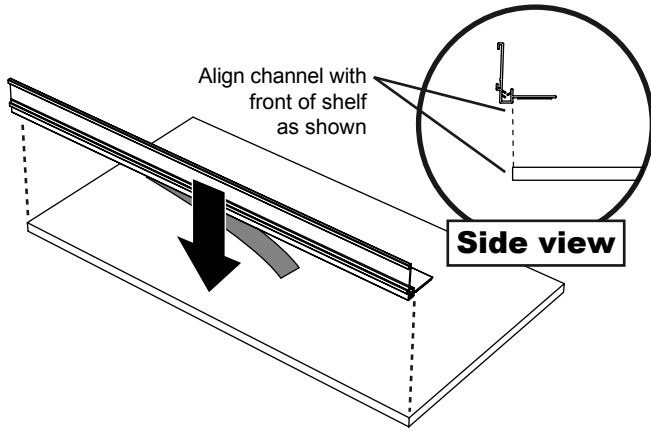
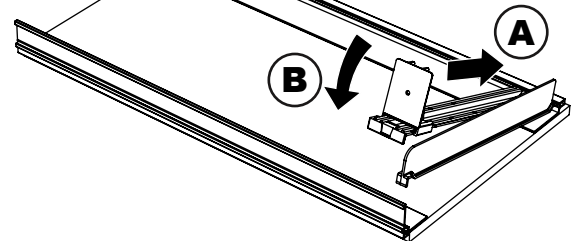
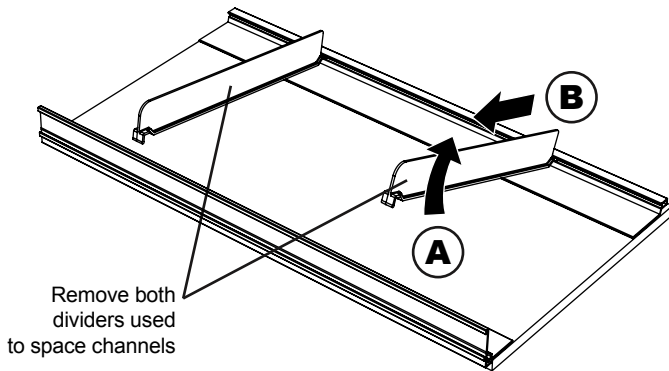


Note: Before installing pusher kit, remove product and any merchandising equipment from shelf. Ensure shelf is clean and dry.



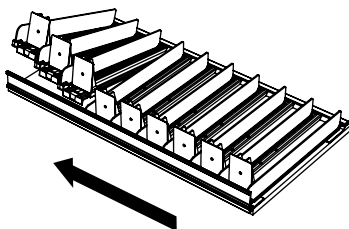
1. Remove adhesive backing and adhere front channel to clean shelf surface. Ensure channel aligns with front of shelf as shown (see side view).

2. **IMPORTANT:** To space rear channel from front channel, temporarily insert (2) dividers into front channel (A). Insert rear of dividers into rear channel (B). Lift rear channel, remove adhesive backing and lower to secure to shelf surface (C).



3. Remove dividers by pulling up on front (A) and pulling forward to disengage rear (B).

4. Install dividers and pushers as shown. Push in back of each element (A), then rotate down into front channel (B). **To ensure proper spacing of pushers and dividers, insert product to be merchandised into pusher track, then install adjacent divider and pusher.**



5. Install dividers, pushers and product to fill out remaining shelf space as shown. Reference corporate plan-o-gram for placement of product.