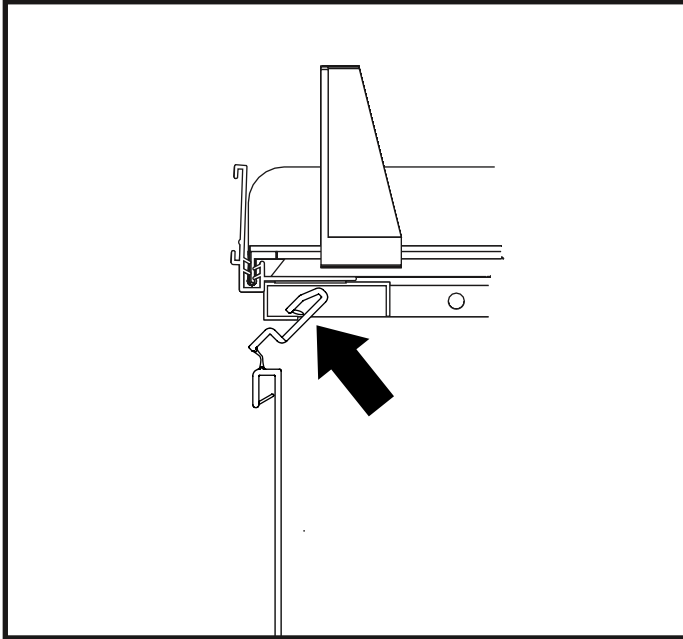
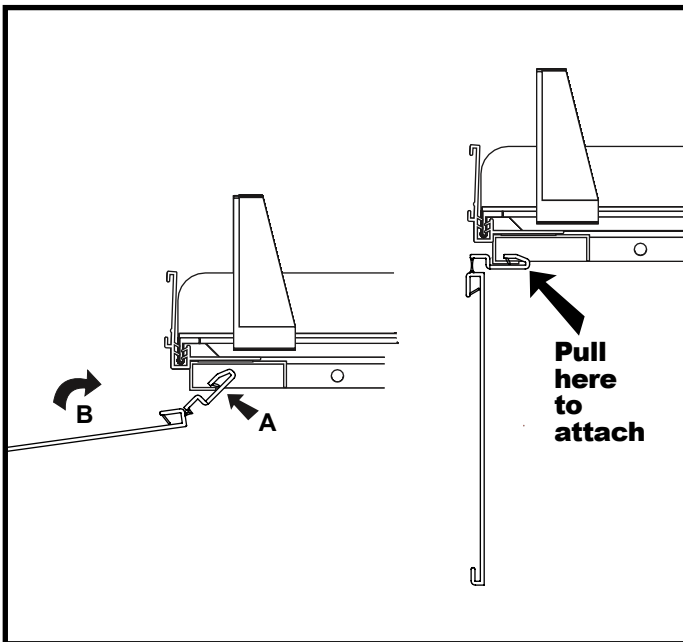


Non-Lighted Flip-Up Sign Installation Instructions



1. Hook sign channel onto metal flange located on bottom front of shelf.



2. Starting from one end, pull gripper portion of flip sign onto metal flange (**A**) while rotating sign up (**B**). Continue until sign is securely attached.

3. DO NOT PULL SIGN to engage shelf. Pull as indicated in picture.