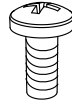


**Warning:** Do not install more than (2) drawers per fixture. Failure to install security cable results in a condition in which both drawers could be opened simultaneously, tipping fixture and causing injury.

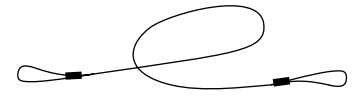
Contents:



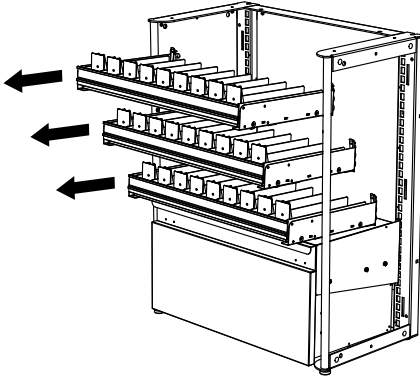
(2) Cable screws



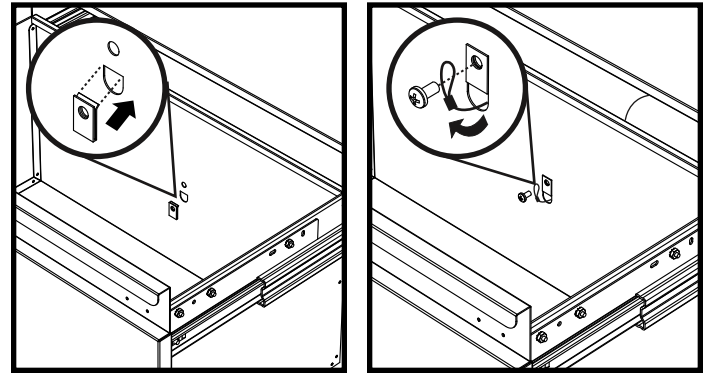
(2) Screw clips



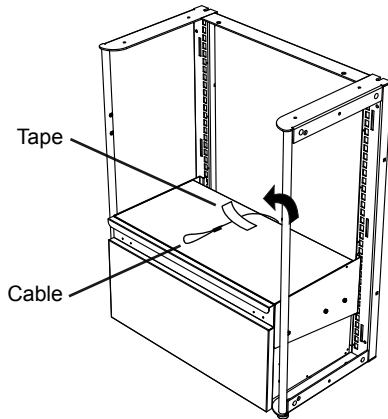
(1) Security cable



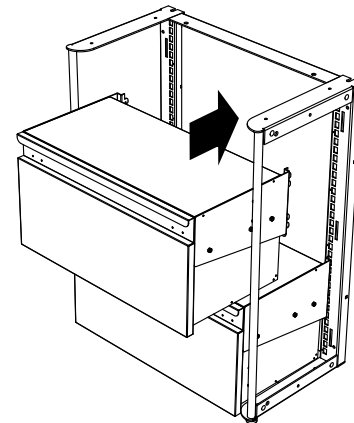
1. Remove shelves as needed.



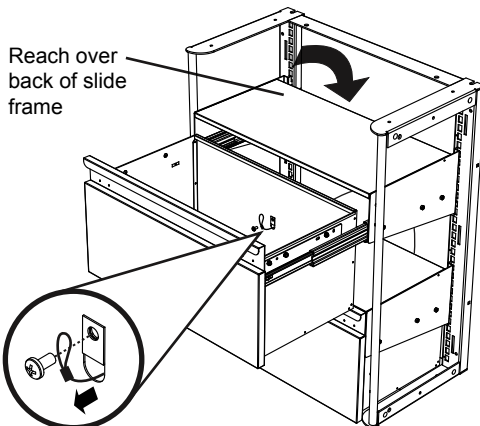
2. Open drawer, install screw clip. Thread cable through back of drawer and secure with screw.



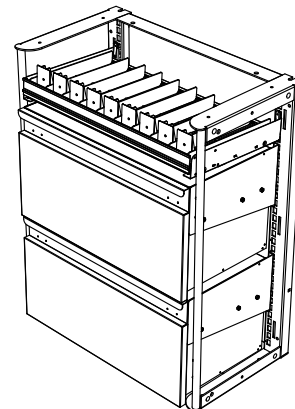
3. Close drawer, temporarily secure cable to top of drawer assembly with tape (not supplied).



4. Install new drawer assembly (see instruction sheet "**Drawer Cabinet - Metal**").



5. Open upper drawer. Reach over top of slide frame, grasp cable and thread through back of upper drawer, securing with screw.



6. Re-install shelf.