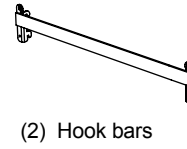
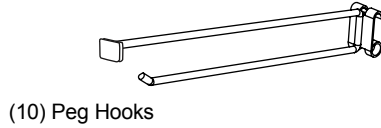
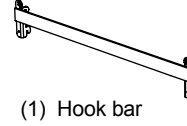
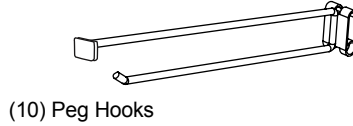


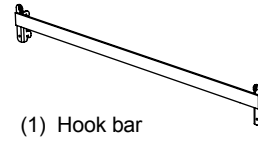
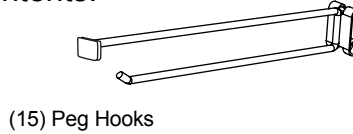
## 70001 OTP Hook Bar 2' Kit Contents:



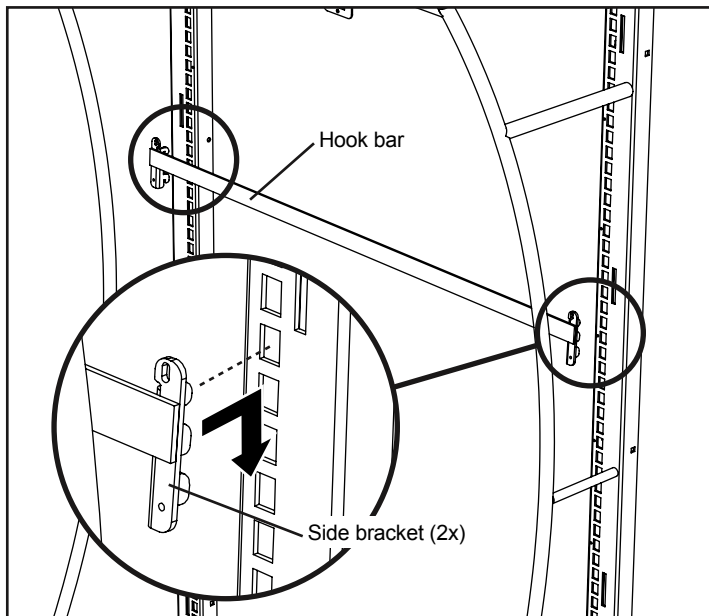
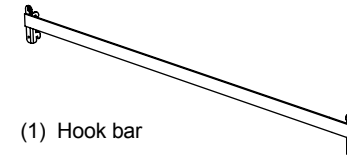
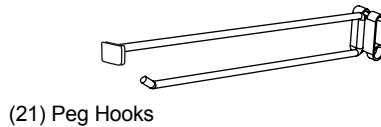
## 70002 OTP Hook Bar 2' Kit Contents:



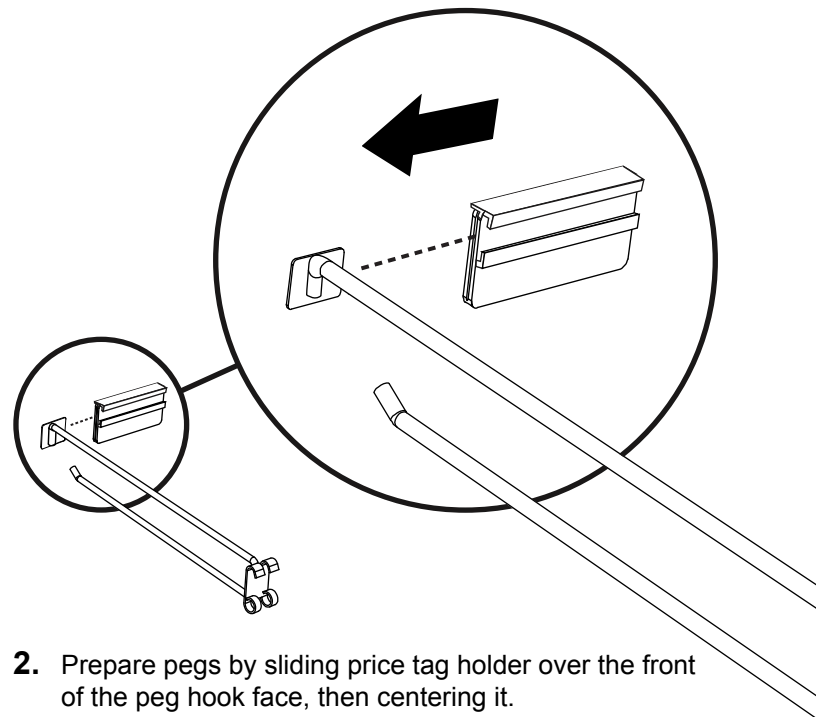
## 70003 OTP Hook Bar 3' Kit Contents:



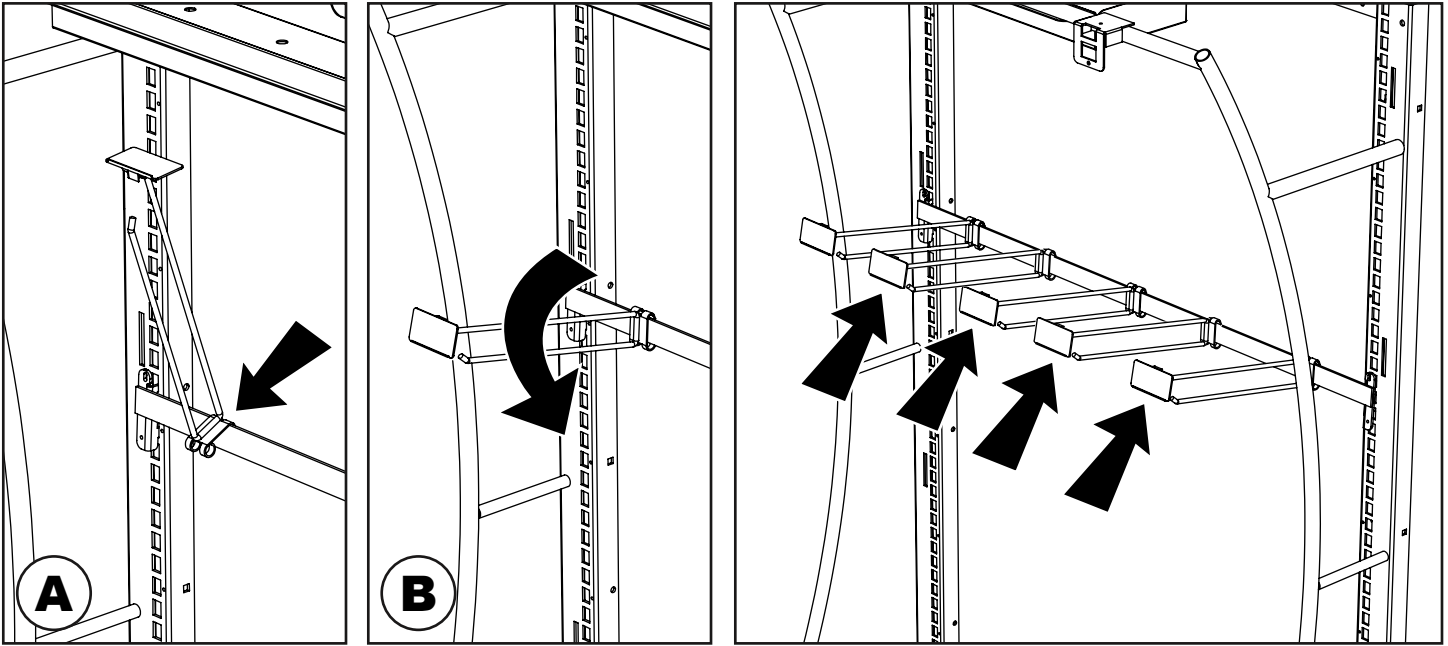
## 70004 OTP Hook Bar 4' Kit Contents:



1. Engage side bracket on each side of hook bar with slots in fixture uprights. Press down firmly to secure.



2. Prepare pegs by sliding price tag holder over the front of the peg hook face, then centering it.



3. Install peg assemblies by hooking top over top edge of hook bar (**A**) and rotating down (**B**), so that peg assembly locks into place.
4. Install remaining pegs as needed.