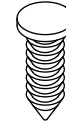


# Back Panel Kit For Low Profile Display

2' Back Panel Kit #50302  
3' Back Panel Kit #50303  
4' Back Panel Kit #50304

Contents:

(1) Back Panel

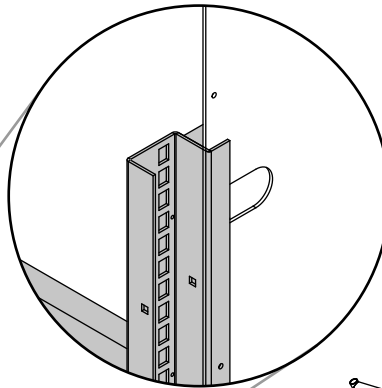


(6) Christmas Tree Clips

**NOTE: Removing shelving on display improves ease of Back Panel installation.**

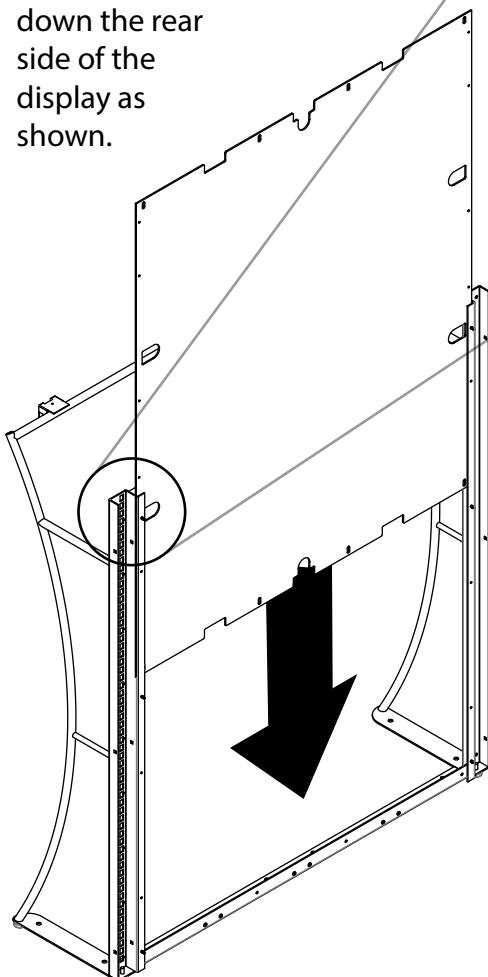
**A**

Slide back panel down the rear side of the display as shown.



**B**

With back panel in place, secure with Christmas Tree Clips as shown to finish installation.



Front of display

