

Specification Sheets for Birch Bay Vanities, Linens, Medicine Cabinet & Mirror.

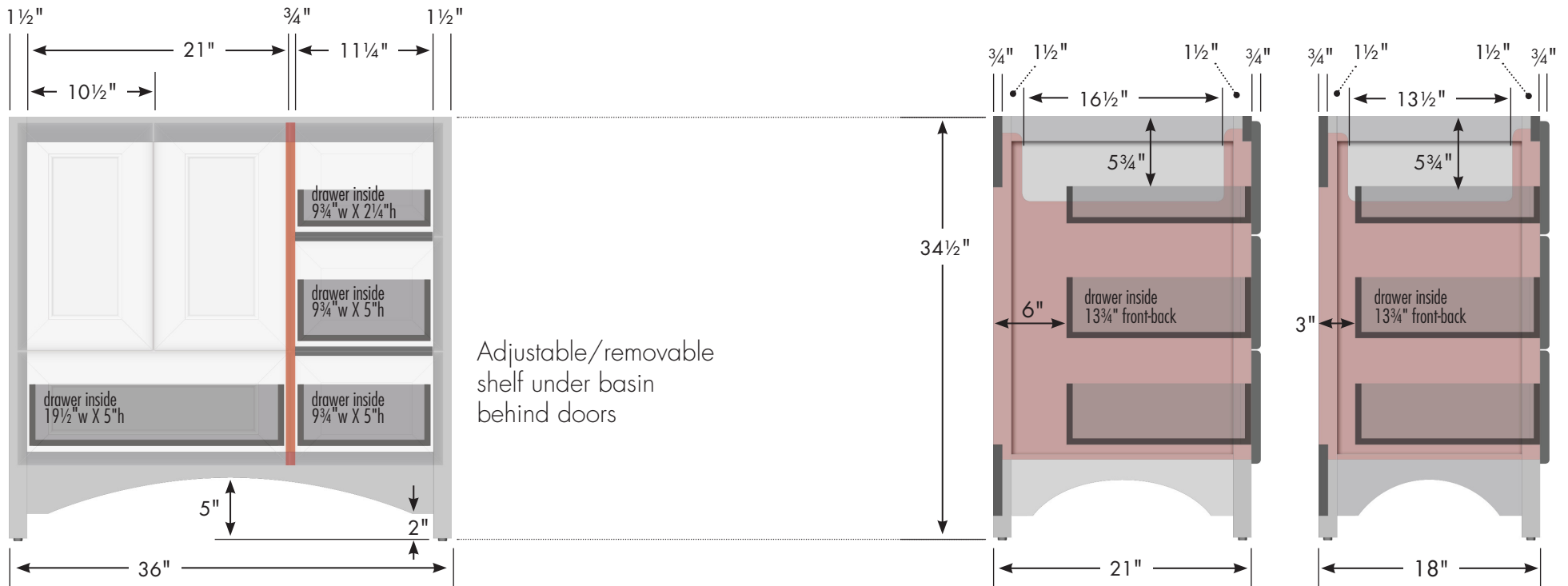
SPECIFICATION VARIANCES

Dimensions on finished vanities may vary slightly from those shown on these specification sheets due to variability in construction materials.

Our products are engineered to maintain close dimensional tolerances but variability in manufacturing materials can change dimensions slightly (normally within $\pm 1/8"$ but occasionally up to $\pm 3/16"$).

In most applications these slight variations will have no impact upon installation, appearance, or function. However, when planning and finishing a space for a built in vanity, **do not frame or finish the space before measuring the actual cabinet!**

We can not be responsible for any expenses incurred as a result of the end user or contractor not following this guideline.

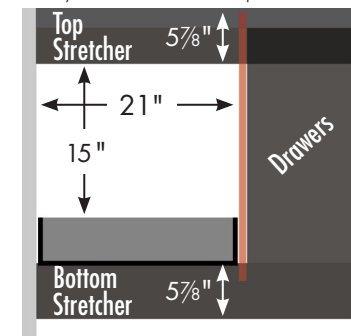


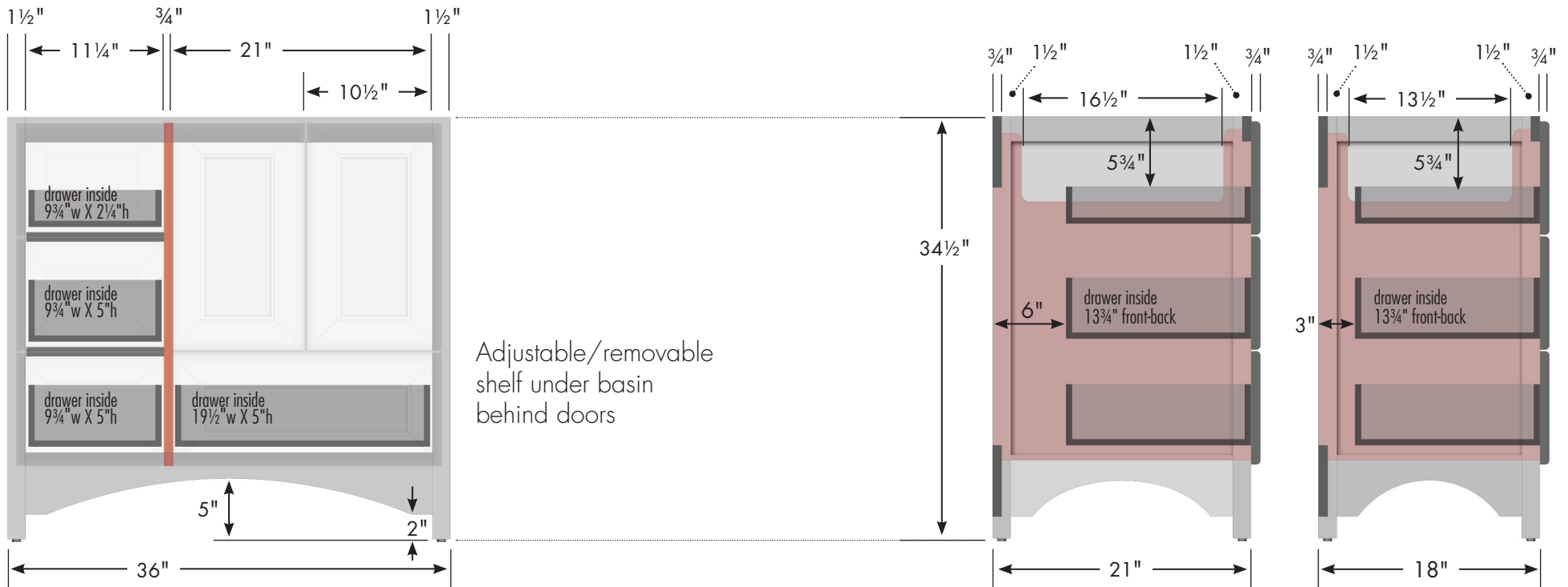
internal dividers

36" Birch Bay Vanity
Drawers Right
 36" wide
 34½" tall
 21" or 18" front-to-back



Vanity back clear openings for plumbing
 (may need to cut adjustable shelf)



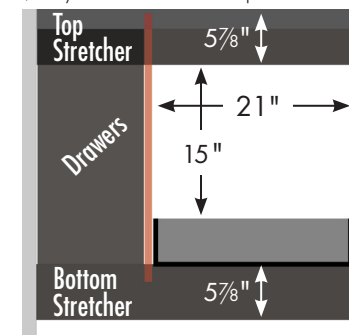


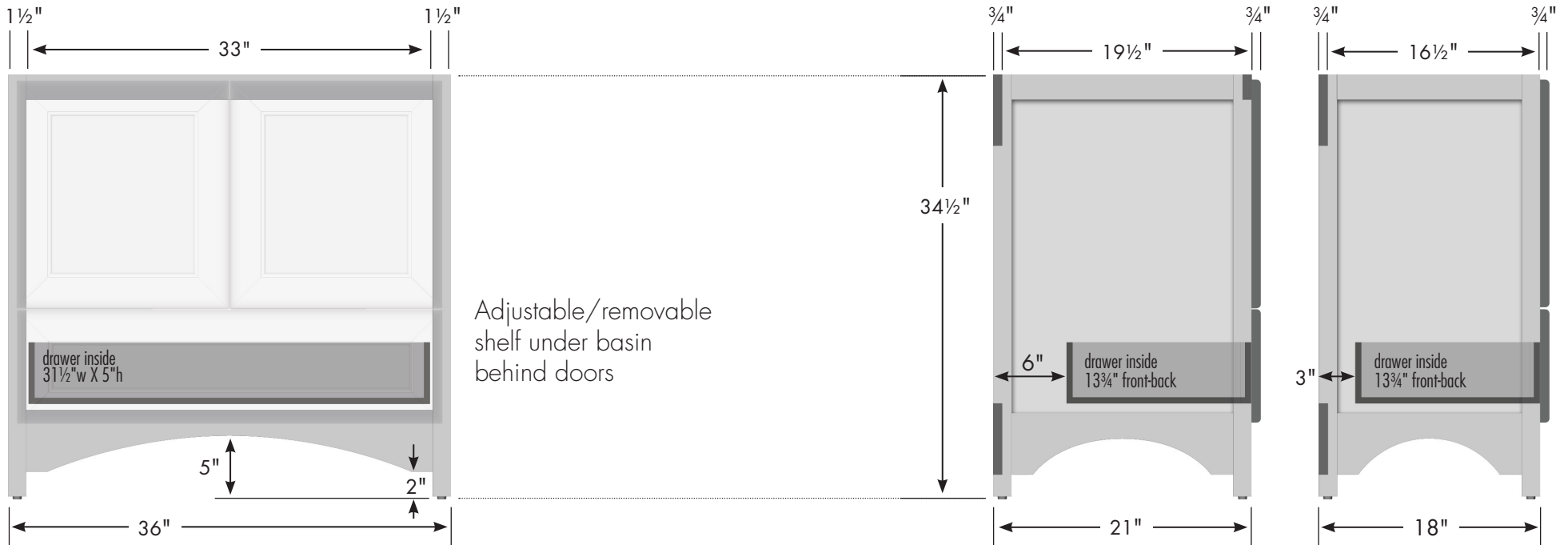
internal dividers

36" Birch Bay Vanity
Drawers Left
 36" wide
 34½" tall
 21" or 18" front-to-back



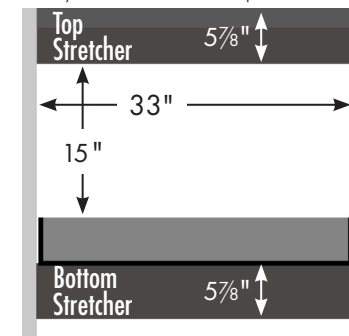
Vanity back clear openings for plumbing
 (may need to cut adjustable shelf)





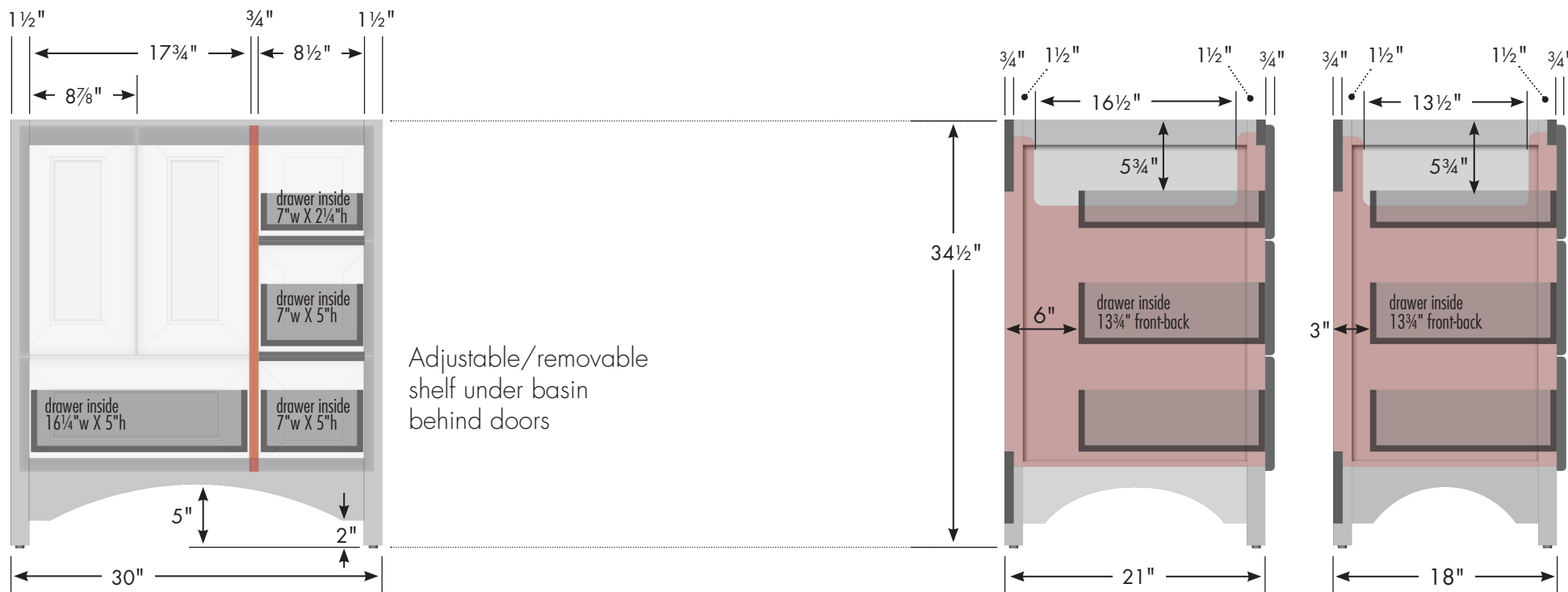
internal dividers

Vanity back clear openings for plumbing
(may need to cut adjustable shelf)



36" Birch Bay Vanity
No Side Drawers
36" wide
34½" tall
21" or 18" front-to-back





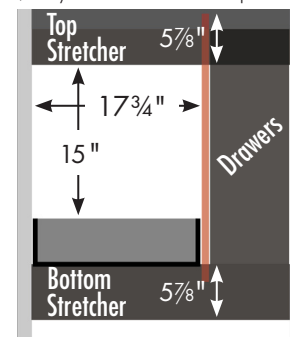
Adjustable/removable shelf under basin behind doors

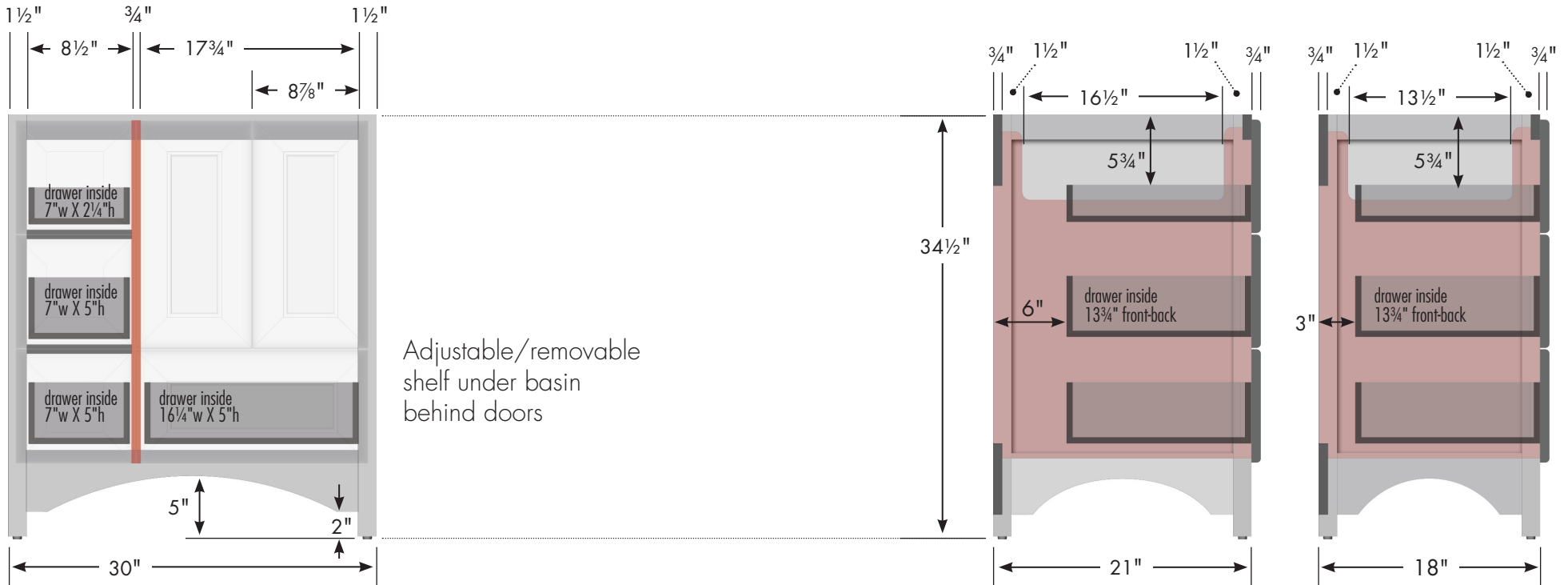
internal dividers

30" Birch Bay Vanity
Drawers Right
 30" wide
 34½" tall
 21" or 18" front-to-back



Vanity back clear openings for plumbing (may need to cut adjustable shelf)

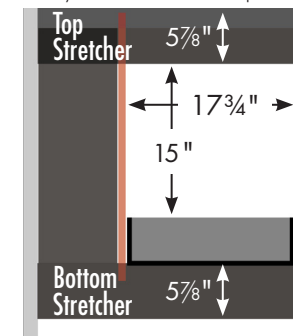


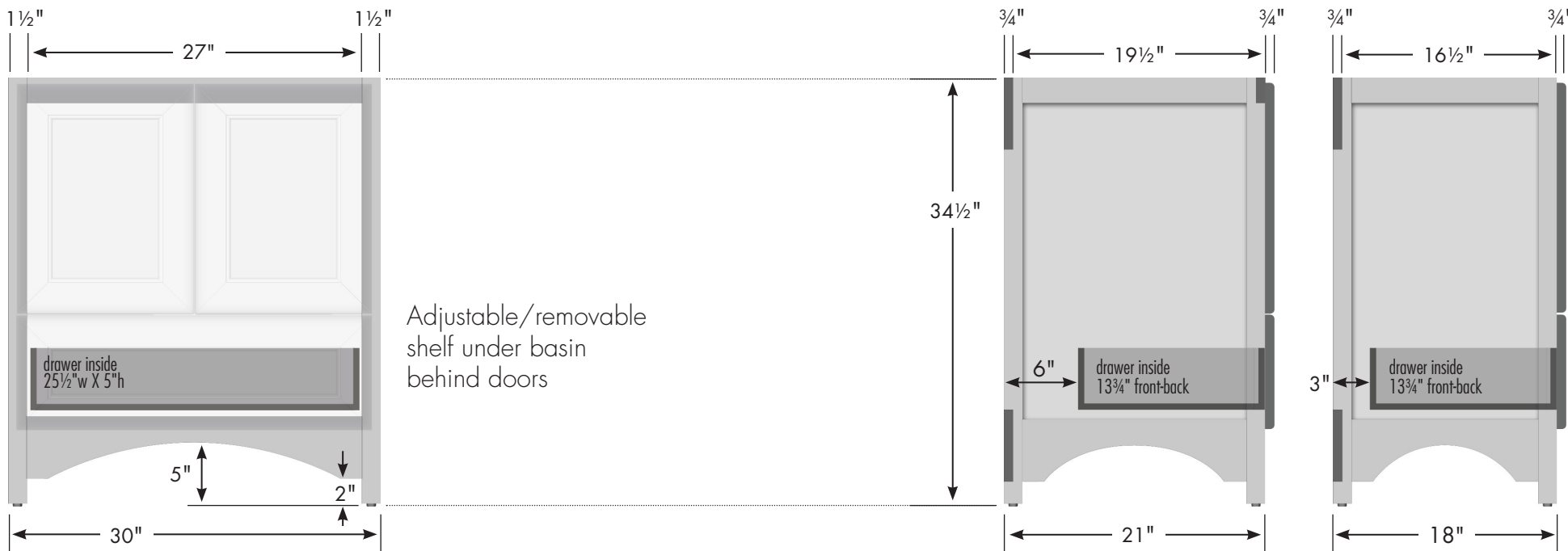


internal dividers

Vanity back clear openings for plumbing
(may need to cut adjustable shelf)

30" Birch Bay Vanity
Drawers Left
30" wide
34½" tall
21" or 18" front-to-back

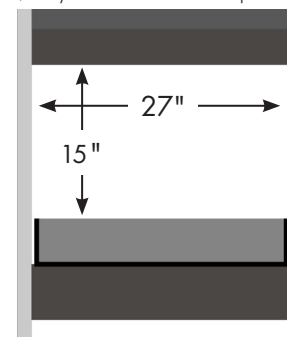


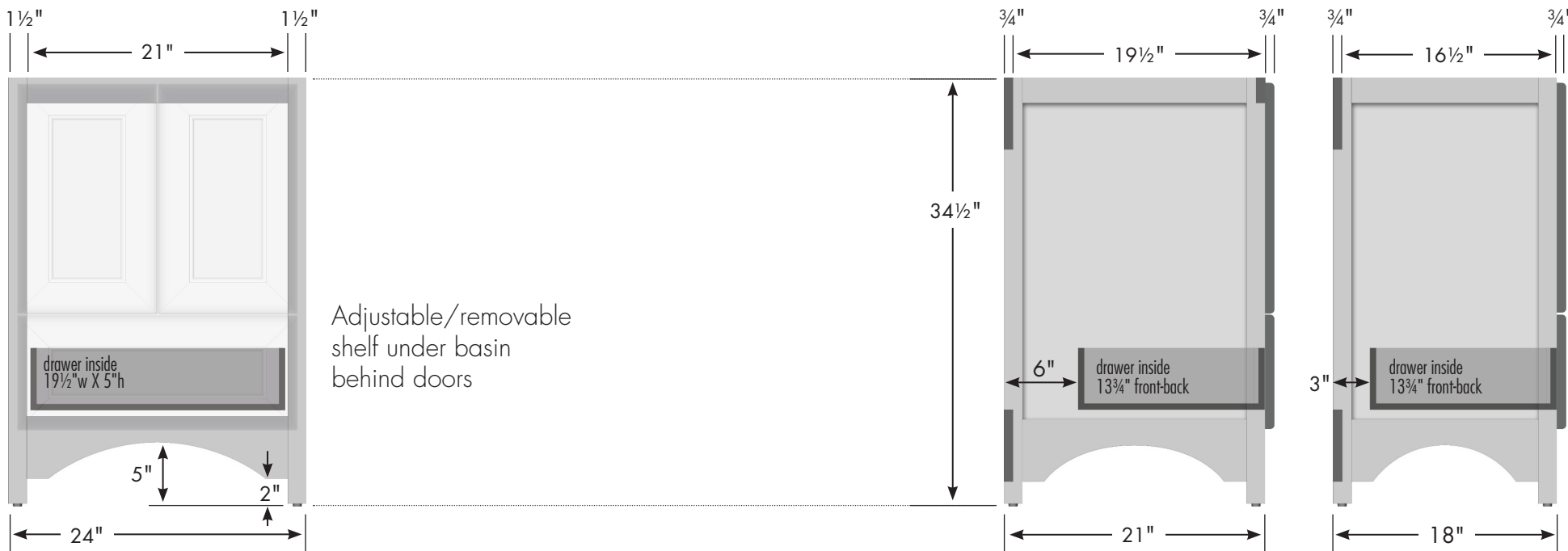


30" Birch Bay Vanity
No Side Drawers
30" wide
34½" tall
21" or 18" front-to-back



Vanity back clear openings for plumbing
(may need to cut adjustable shelf)



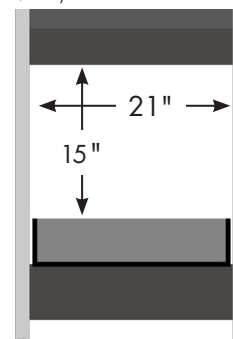


24" Birch Bay Vanity

24" wide
34½" tall
21" or 18" front-to-back



Vanity back clear openings for plumbing
(may need to cut adjustable shelf)



SPECIAL NOTE

Serious or fatal crushing injuries can occur from a linen cabinet tipping over.

To help prevent tipover:

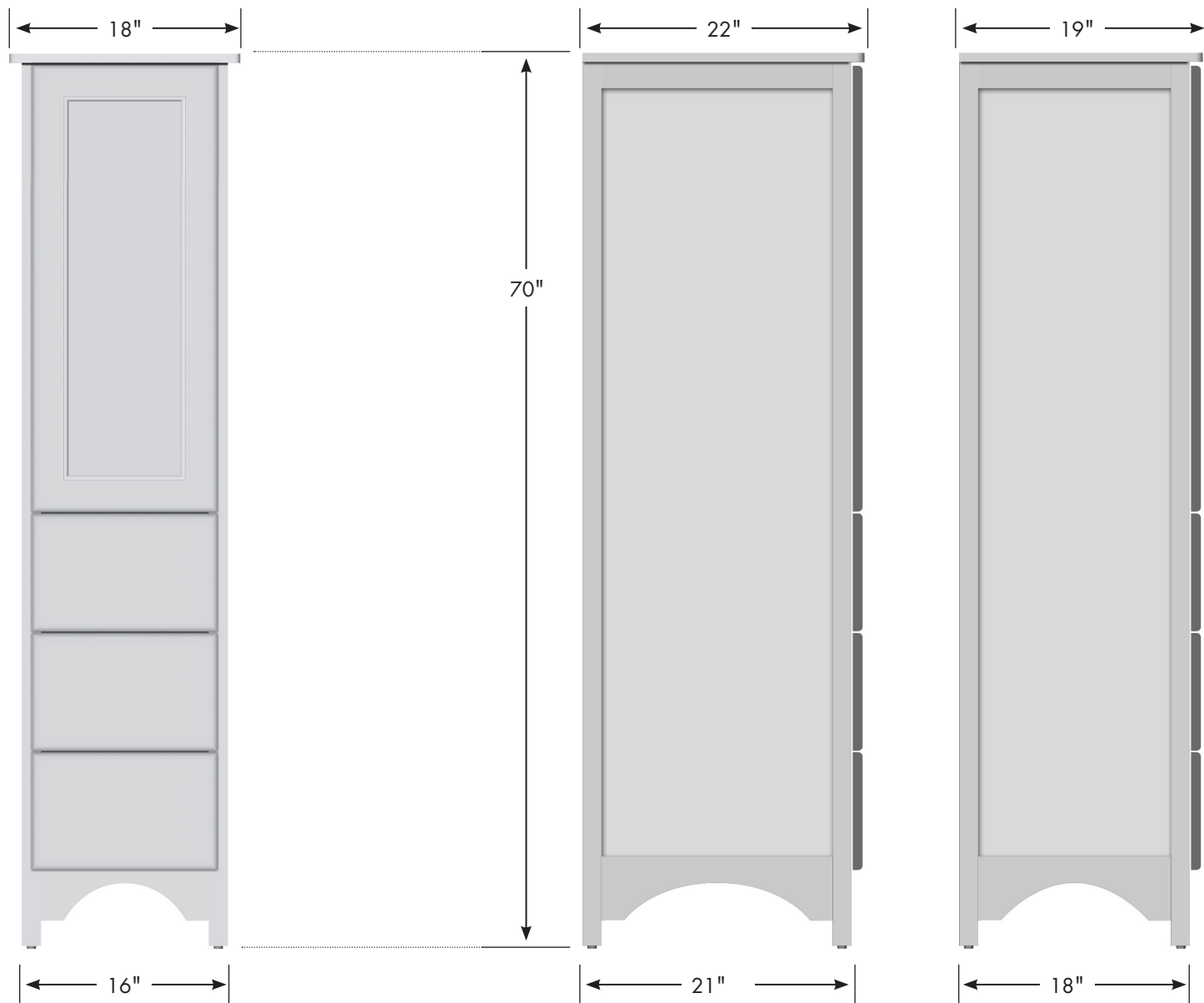
- Install provided tipover restraint
- Place heaviest items in the lower drawers
- Do not place heavy objects on top of this product
- Never allow children to climb or hang on drawers, doors or shelves
- Do not open more than one drawer at a time.

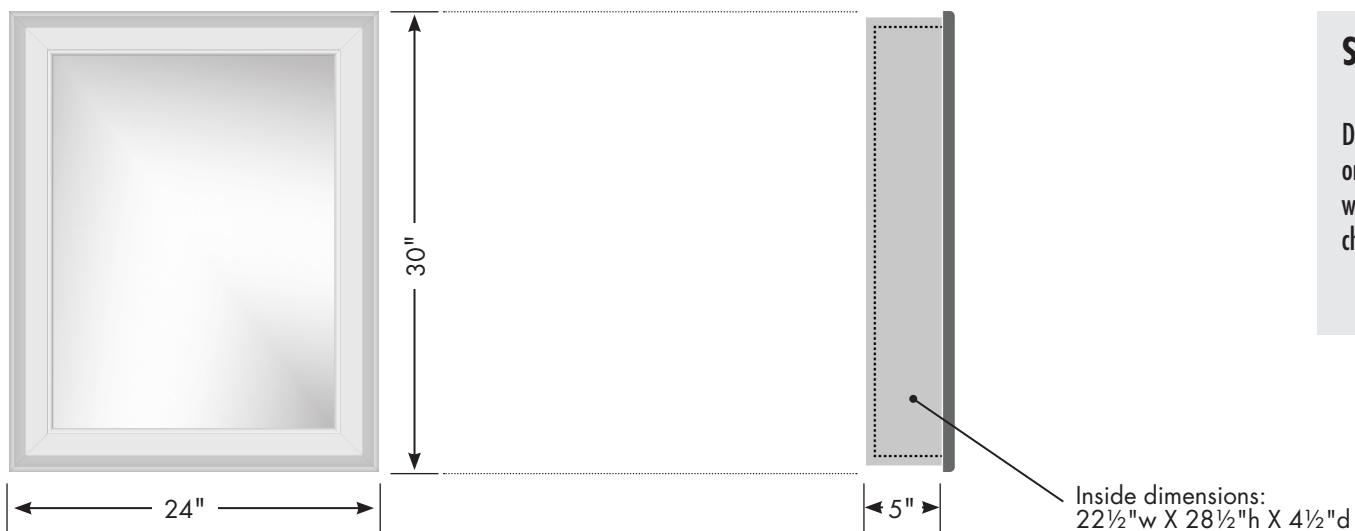
Use of tipover restraints may only reduce, but not eliminate, the risk of tipover.

We supply attachment hardware with your order but some applications may need different/additional hardware. Manufacturer assumes no liability for improper installation or excessive loads placed on screws, brackets or straps.

Birch Bay Linen

16" wide
70" tall
21" or 18" front-to-back



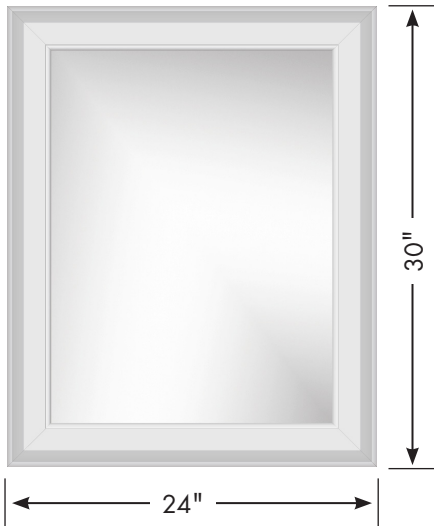


SPECIAL NOTE

Door will open left-to-right or right-to-left depending on which hanging option you choose.

**Birch Bay
Medicine Cabinet**
24" wide
30" tall
5¾" front-to-back





**Birch Bay
Mirror**
24" wide
30" tall
¾" front-to-back

