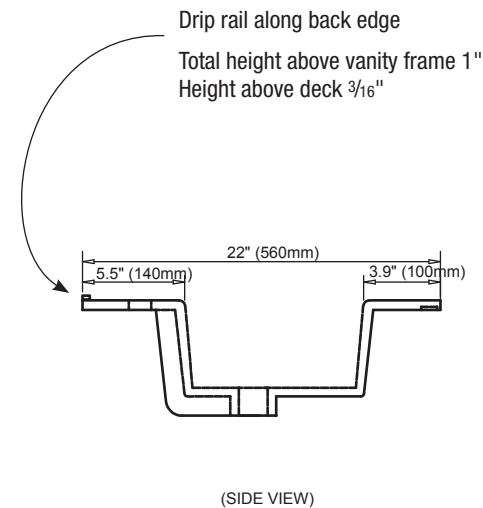
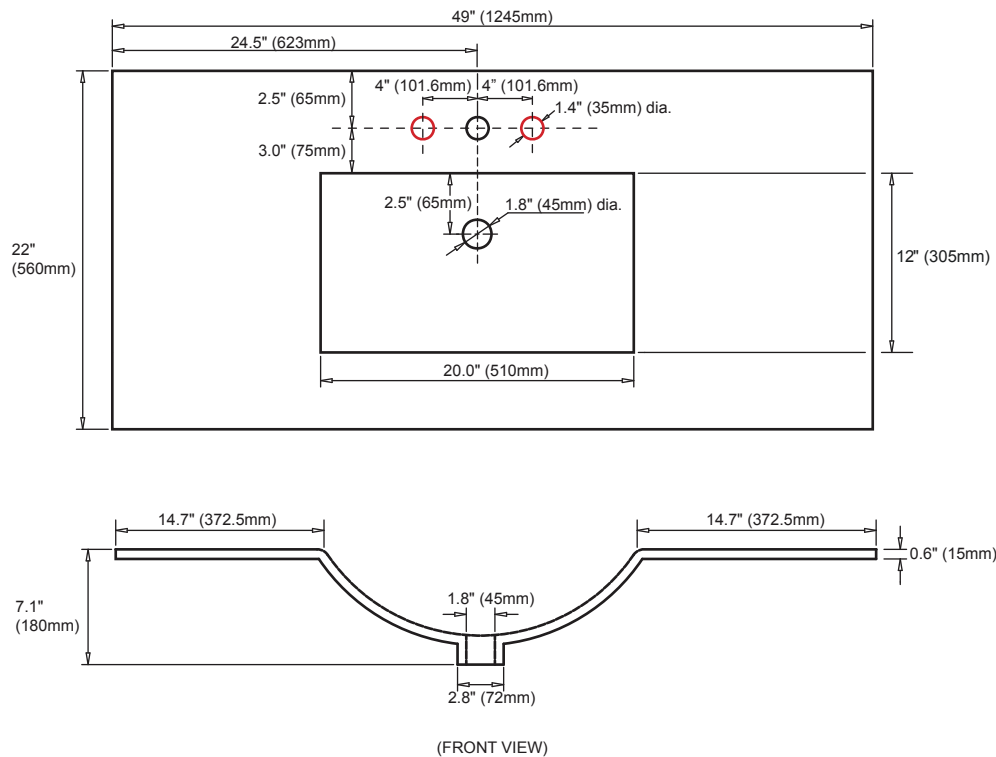


### 49" Wide Vitreous China Vanity Top

Three hole drilling for 8" spread faucet set shown.  
Single hole drilling model is identical with the exception of the two faucet holes.

#### SPECIFICATION VARIANCES

All measurements are nominal.  
All china tops are cast in molds and are therefore subject to significant variations in dimension caused by mold variation.

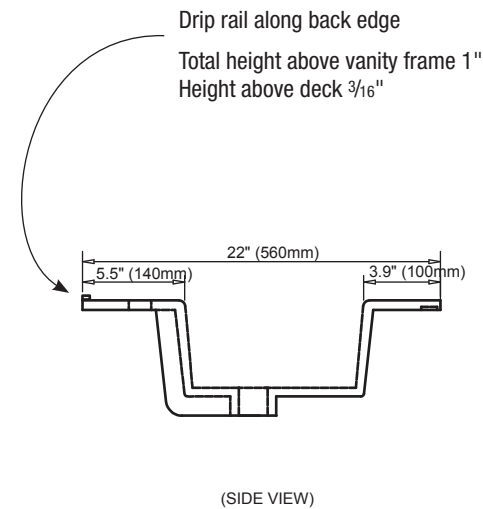
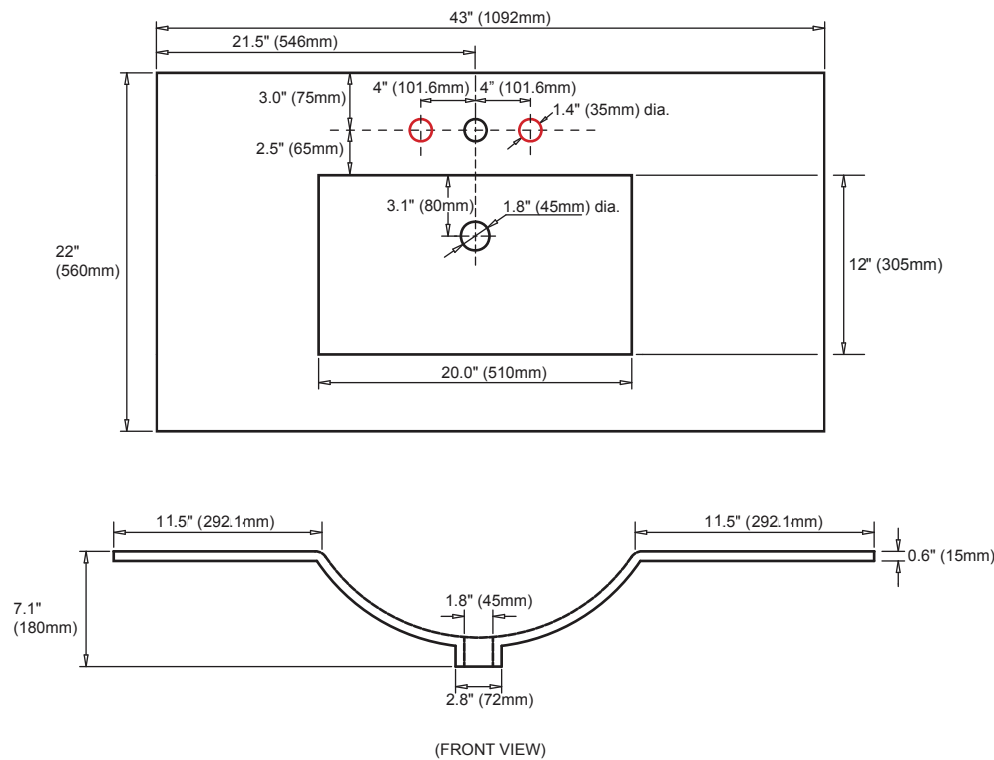


### 43" Wide Vitreous China Vanity Top

Three hole drilling for 8" spread faucet set shown.  
Single hole drilling model is identical with the exception of the two faucet holes.

#### SPECIFICATION VARIANCES

All measurements are nominal.  
All china tops are cast in molds and are therefore subject to significant variations in dimension caused by mold variation.

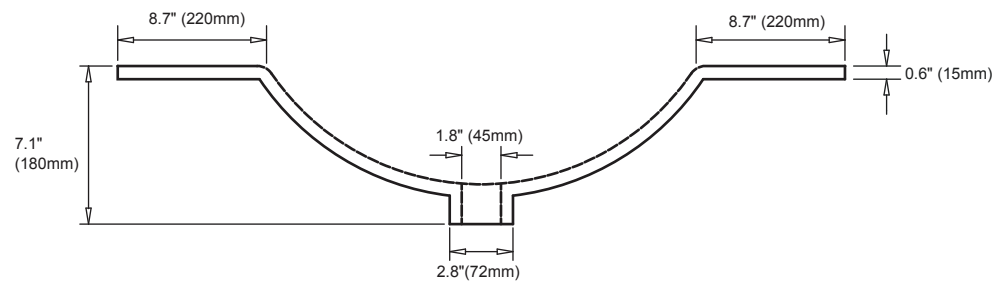
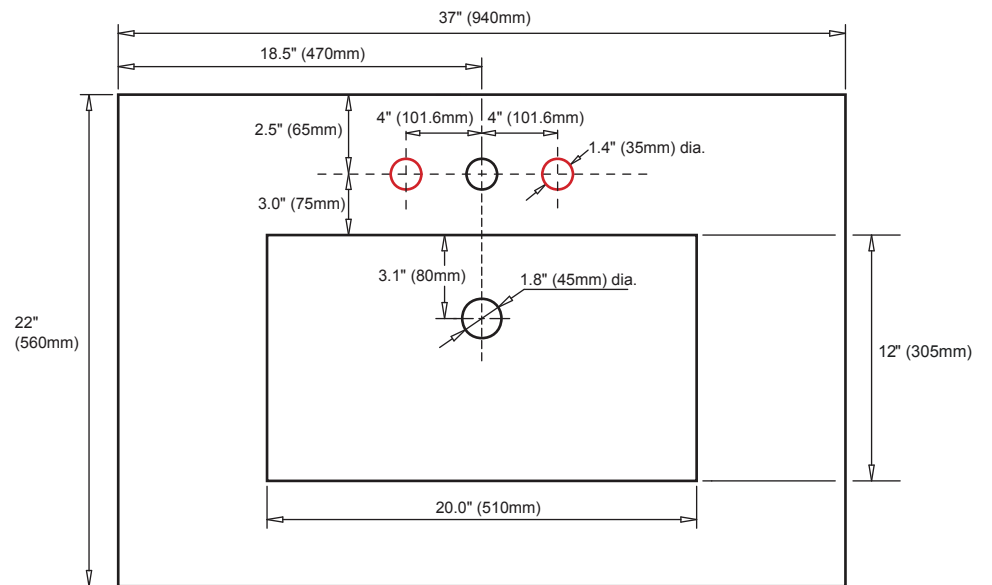


### 37" Wide Vitreous China Vanity Top

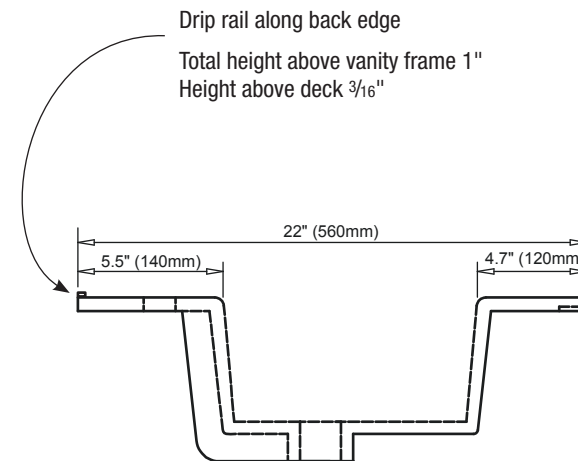
Three hole drilling for 8" spread faucet set shown.  
Single hole drilling model is identical with the exception of the two faucet holes.

#### SPECIFICATION VARIANCES

All measurements are nominal.  
All china tops are cast in molds and are therefore subject to significant variations in dimension caused by mold variation.



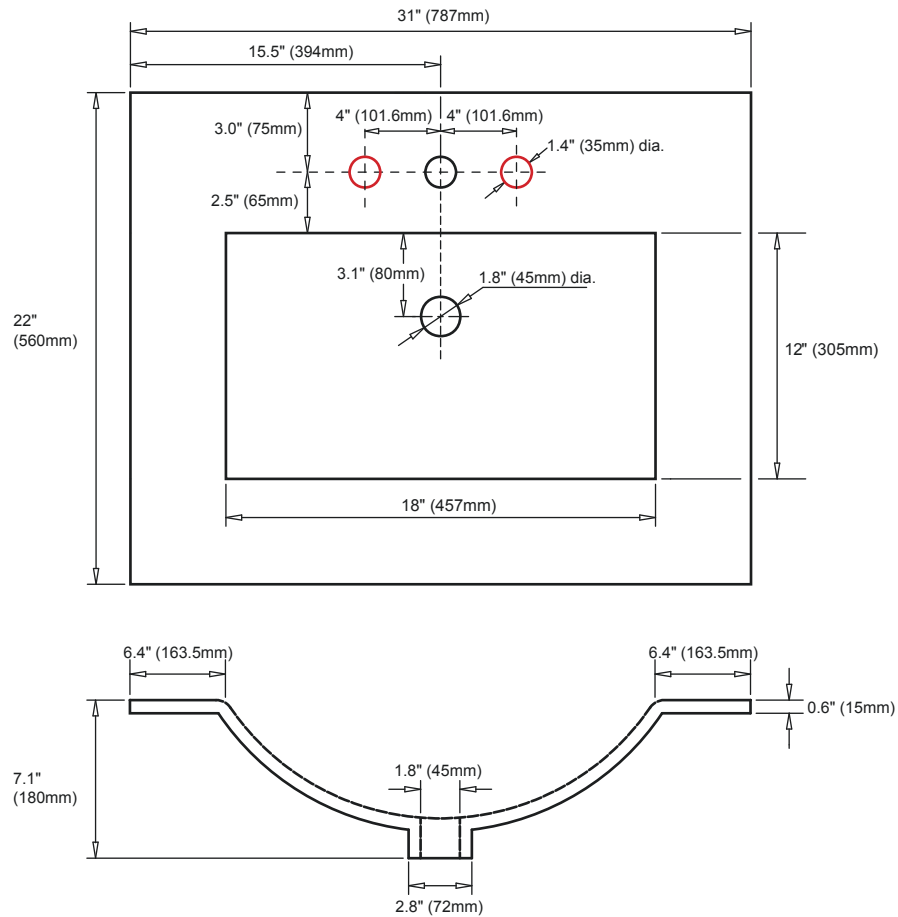
(FRONT VIEW)



(SIDE VIEW)

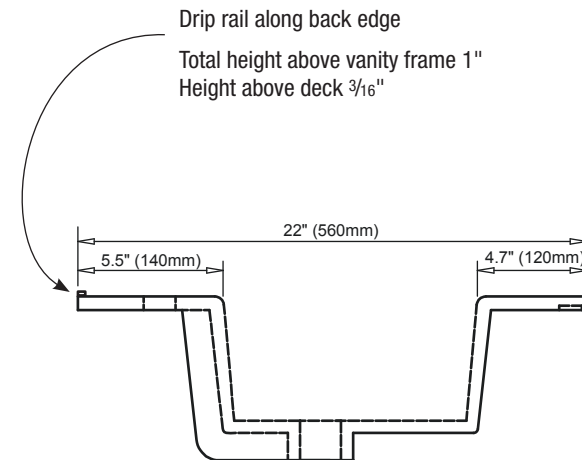
### 31" Wide Vitreous China Vanity Top

Three hole drilling for 8" spread faucet set shown.  
Single hole drilling model is identical with the exception of the two faucet holes.



#### SPECIFICATION VARIANCES

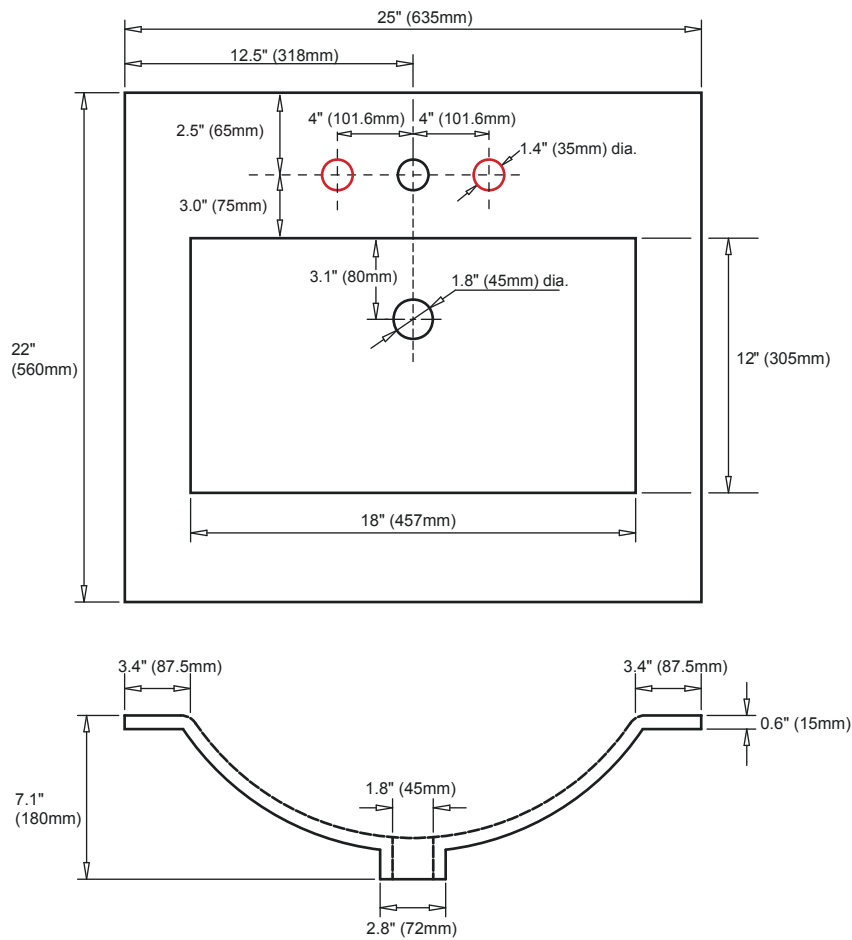
All measurements are nominal.  
All china tops are cast in molds and are therefore subject to significant variations in dimension caused by mold variation.



(SIDE VIEW)

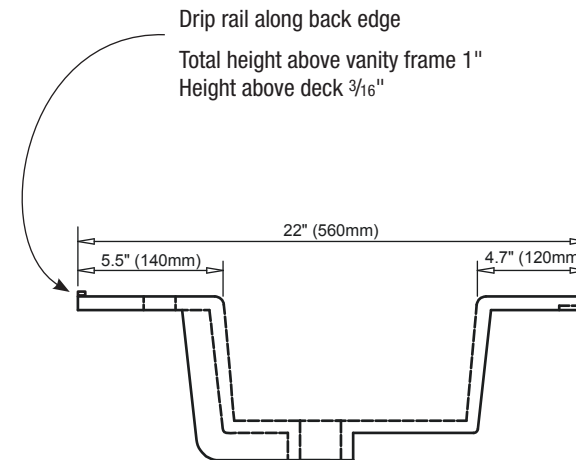
### 25" Wide Vitreous China Vanity Top

Three hole drilling for 8" spread faucet set shown.  
Single hole drilling model is identical with the exception of the two faucet holes.



#### SPECIFICATION VARIANCES

All measurements are nominal.  
All china tops are cast in molds and are therefore subject to significant variations in dimension caused by mold variation.



(SIDE VIEW)