

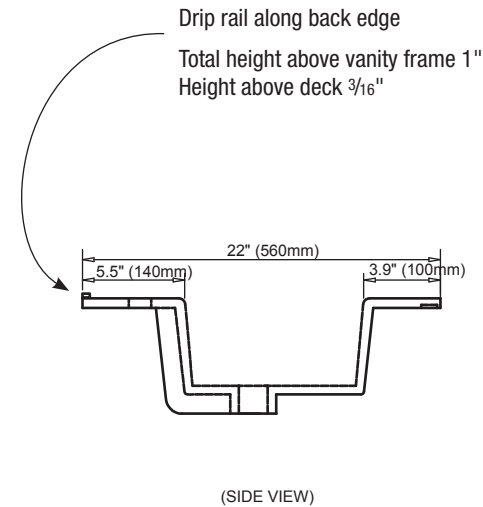
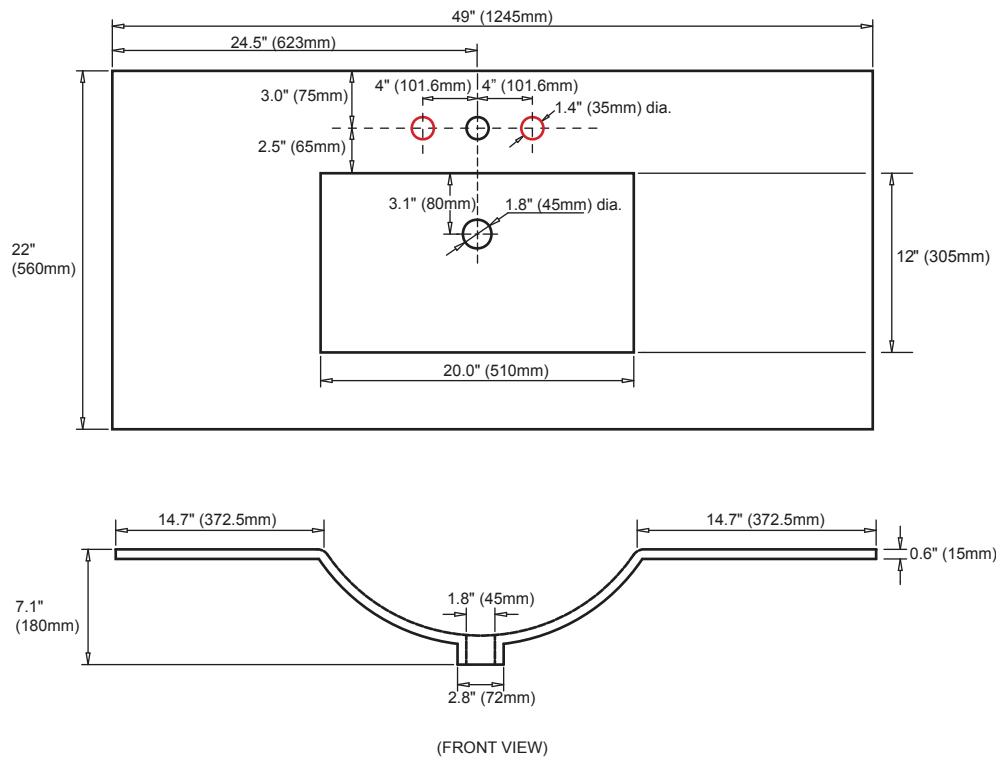


### 49" Wide Vitreous China Vanity Top

Three hole drilling for 8" spread faucet set shown.  
Single hole drilling model is identical with the exception of the two faucet holes.

#### SPECIFICATION VARIANCES

All measurements are nominal.  
All china tops are cast in molds  
and are therefore subject to small  
variations in dimension caused by  
mold variation.



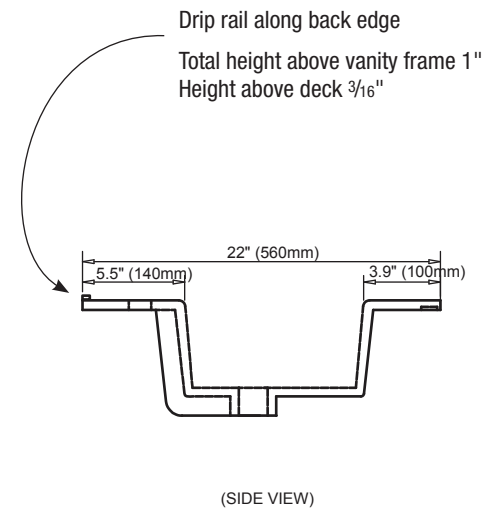
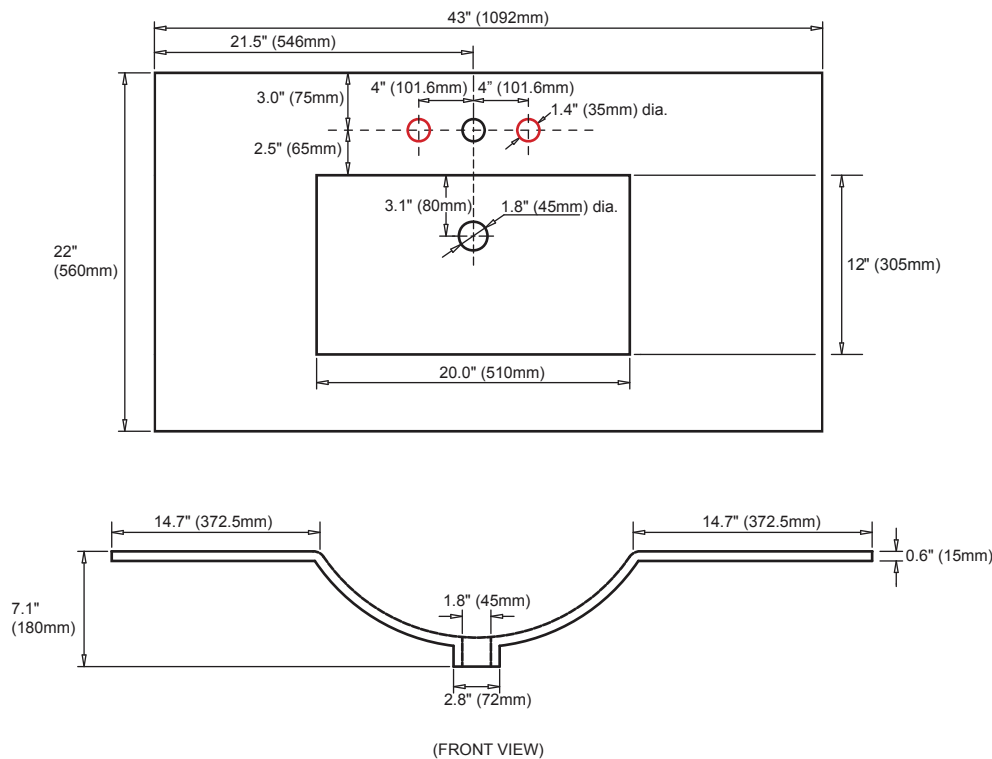


### 43" Wide Vitreous China Vanity Top

Three hole drilling for 8" spread faucet set shown.  
Single hole drilling model is identical with the exception of the two faucet holes.

#### SPECIFICATION VARIANCES

All measurements are nominal.  
All china tops are cast in molds  
and are therefore subject to small  
variations in dimension caused by  
mold variation.



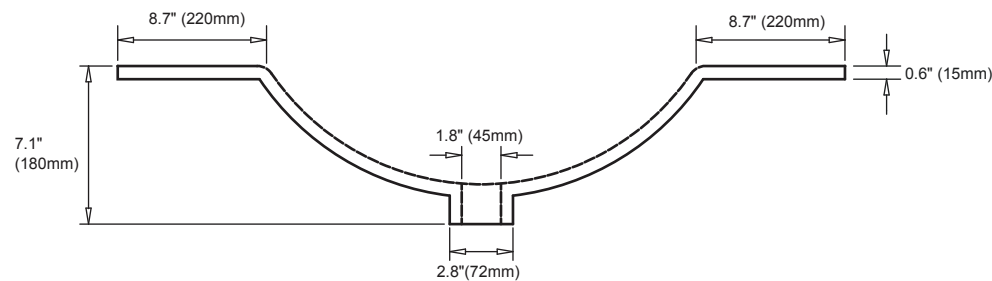
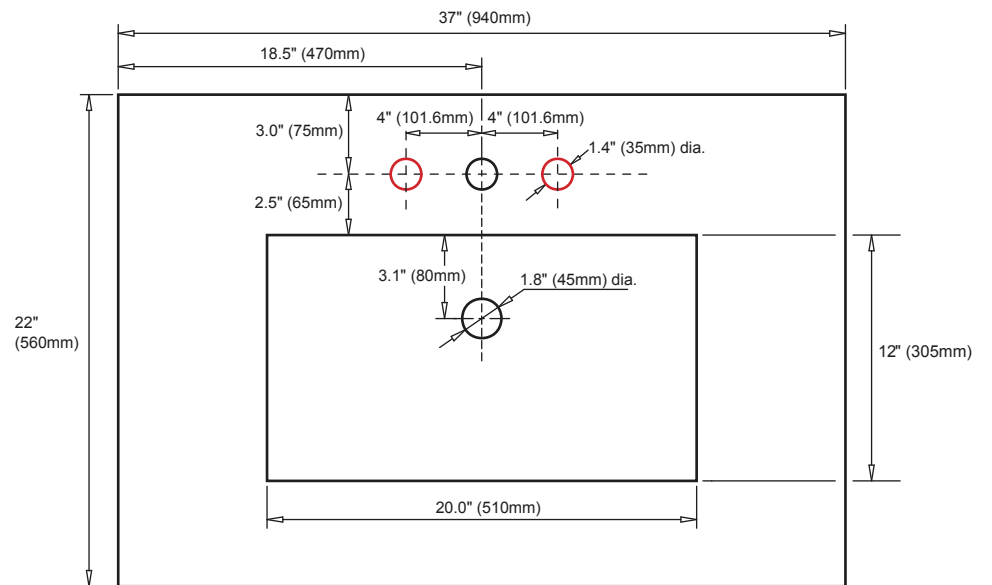


### 37" Wide Vitreous China Vanity Top

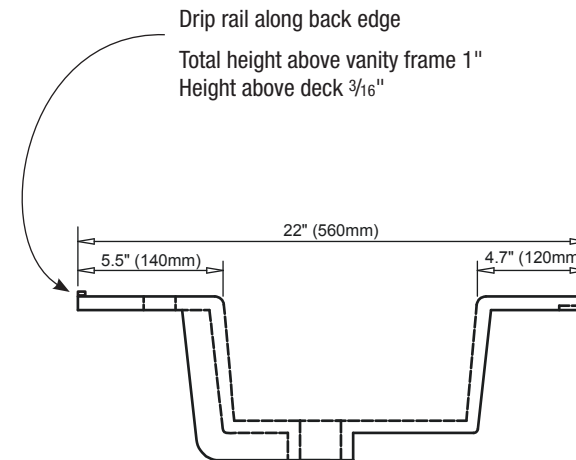
Three hole drilling for 8" spread faucet set shown.  
Single hole drilling model is identical with the exception of the two faucet holes.

#### SPECIFICATION VARIANCES

All measurements are nominal.  
All china tops are cast in molds  
and are therefore subject to small  
variations in dimension caused by  
mold variation.



(FRONT VIEW)



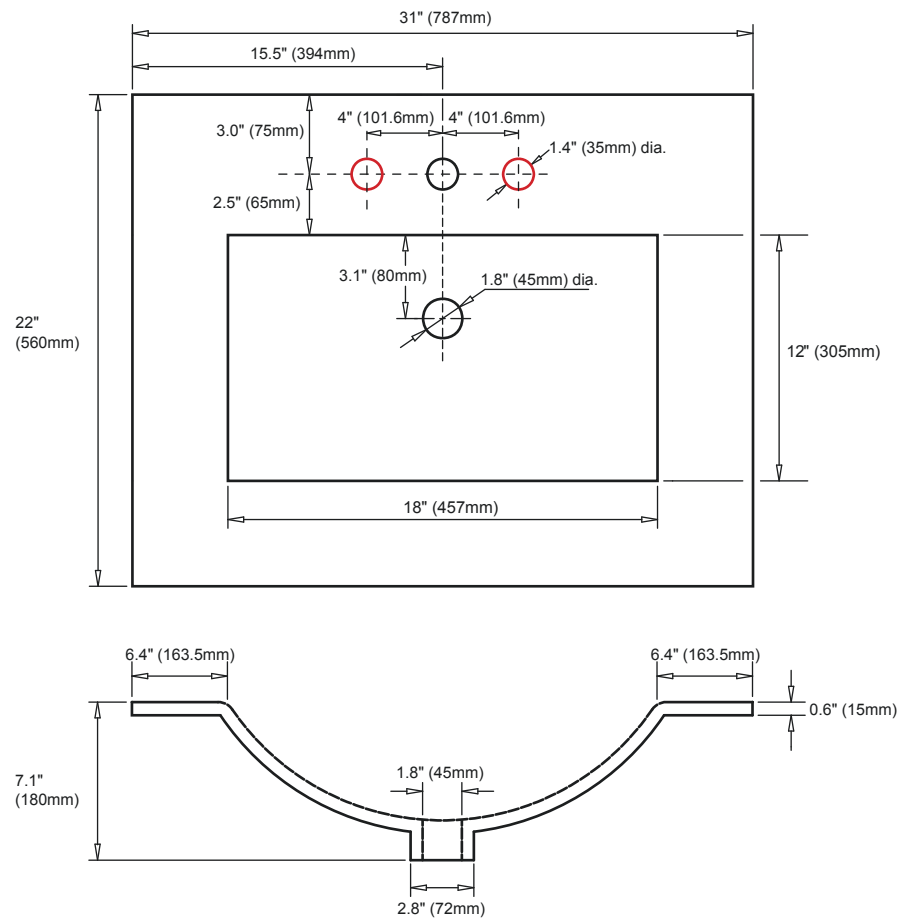
(SIDE VIEW)





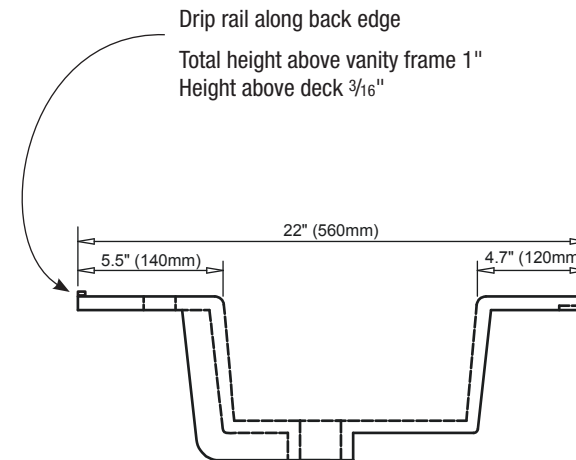
### 31" Wide Vitreous China Vanity Top

Three hole drilling for 8" spread faucet set shown.  
Single hole drilling model is identical with the exception of the two faucet holes.



#### SPECIFICATION VARIANCES

All measurements are nominal.  
All china tops are cast in molds  
and are therefore subject to small  
variations in dimension caused by  
mold variation.



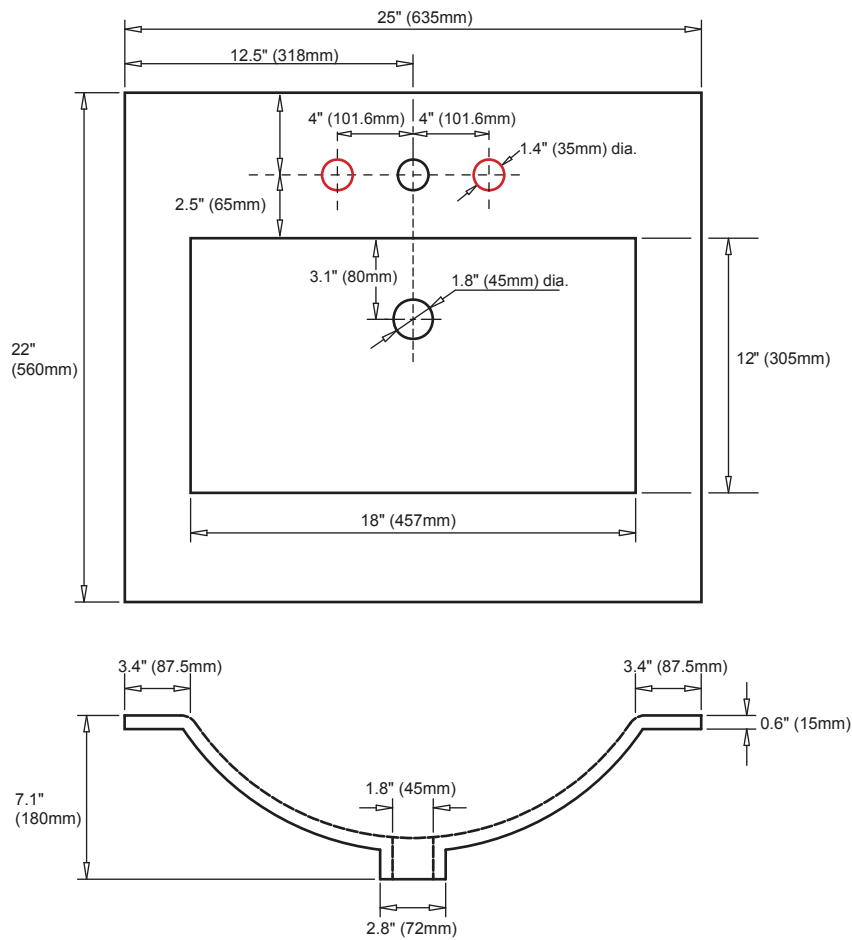
(SIDE VIEW)





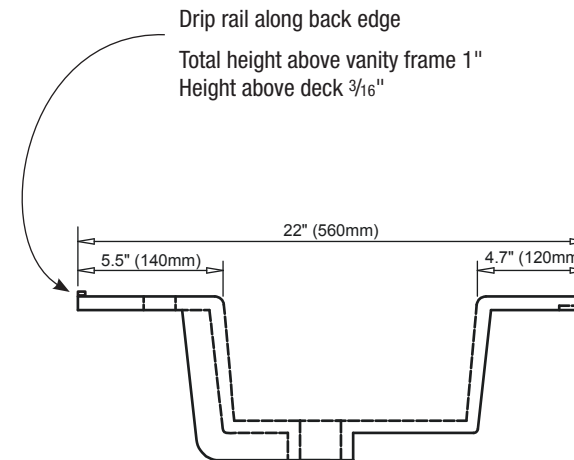
### 25" Wide Vitreous China Vanity Top

Three hole drilling for 8" spread faucet set shown.  
Single hole drilling model is identical with the exception of the two faucet holes.



#### SPECIFICATION VARIANCES

All measurements are nominal.  
All china tops are cast in molds  
and are therefore subject to small  
variations in dimension caused by  
mold variation.



(SIDE VIEW)

