



Uponor

RADIANT HEATING SYSTEMS

JOIST TRAK™

CUT SHEET

Uponor Joist Trak™ — The Innovative Solution for Radiant Floor Heating

Overview

Uponor's Joist Trak™ speeds tubing installations for radiant heating applications and greatly improves the overall heat output when compared to staple-up and double-groove aluminum plates.

Joist Trak is an extruded aluminum heat transfer plate (4' long x 4" wide) capable of much higher output resulting in greater comfort and efficiency for radiant heating systems.

To install Joist Trak, just fasten the four-foot aluminum plate to the subfloor and snap in the Wirsbo hePEX™ plus tubing. It's that simple.

Features and Benefits

- Excellent for use in floor, wall and ceiling applications
- Available for 3/8" or 1/2" Wirsbo hePEX plus tubing
- Extruded aluminum delivers greater output and more uniform heat distribution
- Installs from below the subfloor to avoid altering floor construction
- Less-invasive method cuts installation costs and reduces clutter
- Versatile — cut four-foot lengths right on the jobsite to fit any space
- Easy to install — just fasten the Joist Trak and snap in the tubing
- Self-supporting design does not require additional fasteners for tubing runs



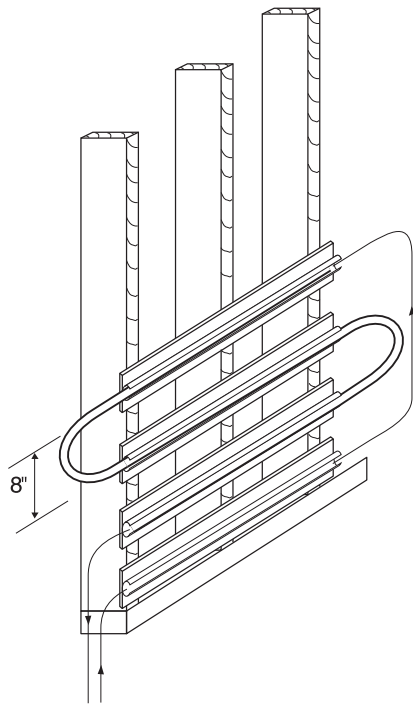
Wirsbo hePEX plus tubing easily and securely snaps into the Joist Trak channel for faster installations without extra fasteners.



Helpful Hints for Using Uponor Joist Trak

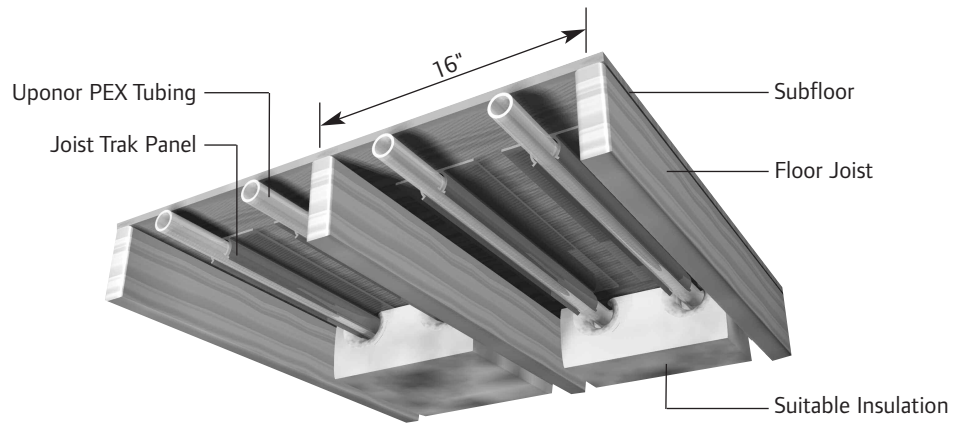
To determine the number of Uponor Joist Trak panels needed for a job, refer to the following instructions.

1. Figure the amount of tubing required by taking the net heated area and multiplying by 1.5 (for 8" on-center spacing).
2. Take the total length of tubing required (not including the supply-and-return runs) and multiply that number by 0.80 (this will account for the exposed turns at each end).
3. Divide by 4 and round up to the next whole number for the total number of 4-foot Joist Trak panels required.

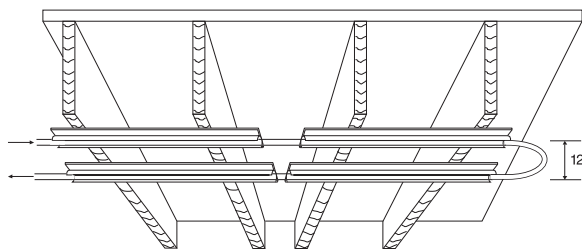


Wall Installation

Product Information	Joist Trak for 3/8" Tubing	Joist Trak for 1/2" Tubing
Part Number	A5080375	A5080500
Overall Height	0.550"	0.675"
Internal Channel Diameter	0.515"	0.640"
Wall Thickness	0.050"	0.050"
Width	4"	4"
Length	48"	48"



Below Subfloor Installation



Ceiling Installation

Note: When using sheetrock, ensure water temperature does not exceed 120°F (48°C).