

EN

Selfloading carbine USC

.45 ACP Calibre



Operator's Manual



Selfloading carbine USC

.45 ACP Calibre

 **DANGER**

Risk of death from gunshot wounds!

Accidental discharge of weapon may occur when loaded weapon is handled.

- › Do not use the weapon until you have read and understood this manual completely.
- › Follow the safety instructions when handling the weapon.
- › Carry out a safety check before working on the weapon.



Functional elements - left side view



The illustrations on the front and back fold-out pages show the functional elements of the weapon from the left and right sides. The text refers frequently to these illustrations. Opening the fold-out pages while reading will make it easier to understand the text.

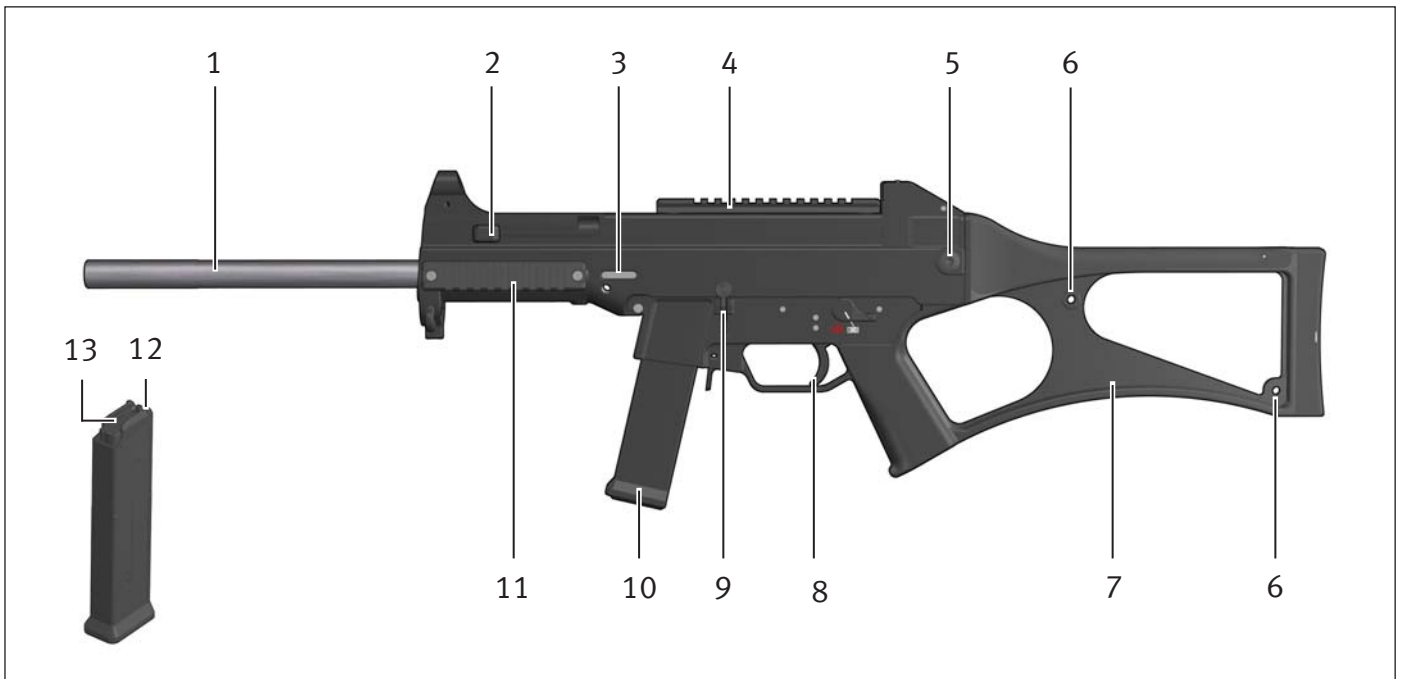


Fig. 1a: USC selfloading carbine, left side view

- | | | | |
|---|-----------------------------------|----|--------------------------|
| 1 | Barrel | 8 | Trigger |
| 2 | Charging handle | 9 | Bolt catch/release lever |
| 3 | Serial-No. | 10 | Magazine, 10 cartridges |
| 4 | Picatinny rail, top | 11 | Picatinny rail |
| 5 | Screw for buttstock, ambidextrous | 12 | Magazine lips |
| 6 | Eye for carrying sling | 13 | Follower |
| 7 | Buttstock | | |

Functional elements - right side view



The illustrations on the front and back fold-out pages show the functional elements of the weapon from the left and right sides. The text refers frequently to these illustrations. Opening the fold-out pages while reading will make it easier to understand the text.

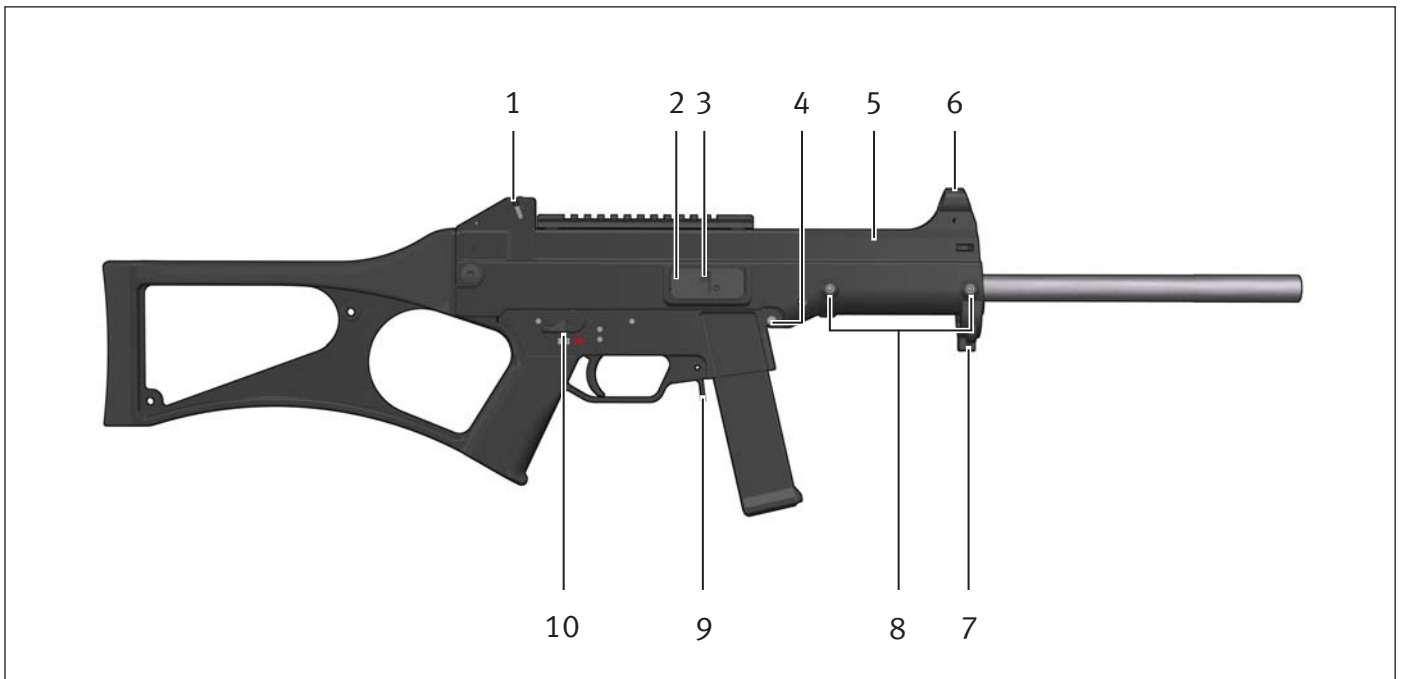


Fig. IIa: USC selfloading carbine, right side view

- | | | | |
|---|----------------|----|---|
| 1 | Sight | 7 | Eye for carrying sling |
| 2 | Ejection port | 8 | Mounting thread for Picatinny rails, ambidextrous |
| 3 | Forward assist | 9 | Magazine catch |
| 4 | Mounting peg | 10 | Safety lever, ambidextrous |
| 5 | Receiver | | |
| 6 | Front sight | | |

Table of contents

Part I Description

1	Using this manual	3
1.1	Purpose of this manual	3
1.2	Target audience for this manual	3
1.3	Warnings, notes and information	3
2	Fundamental safety instructions	7
2.1	The operator's manual as an integral component of the safety concept	7
2.2	Safety instructions for handling the weapon	7
2.3	Safety instructions for firing	9
2.4	Exclusion of liability and warranty	9
3	Description of the weapon	10
3.1	Designation	10
3.2	Intended use	10
3.3	Scope of supply	10
3.4	Assembly groups	11
4	Technical description	12
4.1	Safety features	12
5	Cleaning kit and auxiliary materials	14
5.1	Cleaning kit	14
5.2	Auxiliary materials	15

Part II Handling

6	Checks	19
6.1	Carrying out a safety check	19
6.2	Carrying out a function check	20
7	Preparations	22
7.1	Using the carrying sling	22
7.2	Converting the Picatinny rail	24
7.3	Adjusting the sights	26
7.4	Filling the magazine	27
7.5	Preparing the weapon for firing	28
7.6	Additional preparations in unusual climatic conditions	28
8	Operation	29
8.1	Inserting the magazine	29
8.2	Chambering a round	29
8.3	Firing position and aiming	30
8.4	Firing	32
8.5	Removing the magazine	32
8.6	Reloading the weapon	33
8.7	Unloading the weapon	33
8.8	Emptying the magazine	34
9	Cleaning	35
9.1	General instructions for cleaning	35
9.2	Disassembling the weapon	35
9.3	Cleaning the weapon	38
9.4	Assembling the weapon	40
10	Faults: Causes and remedies	42

11	Protection, packaging and storage	45
11.1	Protecting the weapon	45
11.2	Packaging the weapon	46
11.3	Storing the weapon	46
12	Transport and shipping	47
12.1	Preparing the weapon for transport	47
12.2	Shipping the weapon	47
13	Disposal	48

Part I

Description

1 Using this manual

1.1 Purpose of this manual

The first part of this manual (“Description”) describes the design and function of the weapon, and the second part (“Handling”) describes the handling of the weapon.

1.2 Target audience for this manual

This manual is intended for sport shooters who are authorised to use this weapon. This manual does not assume extensive technical or weapons-specific knowledge.

1.3 Warnings, notes and information

In order to ensure the greatest possible degree of safety during handling, important information and technical notes are specially highlighted.

1.3.1 Warnings and warning levels

Warnings are depicted as follows (example):

⚠ DANGER
<p>Risk of death from gunshot wounds!</p> <p>Accidental discharge of weapon may occur when loaded weapon is handled.</p> <ul style="list-style-type: none"> › Do not use the weapon until you have read and understood this manual completely. › Follow the safety instructions when handling the weapon. › Carry out a safety check before working on the weapon.

The following colours and signal words are used in the warnings to indicate various danger levels:

Colour / signal word	Meaning
⚠ DANGER	Direct, imminent danger! Non-compliance will lead to death or extremely serious injury.
⚠ WARNING	Possible imminent danger! Non-compliance could lead to death or serious injury.
⚠ CAUTION	Dangerous situation! Non-compliance could lead to minor injuries.
NOTICE	Non-compliance could lead to material damage.

1.3.2 Symbols used

Symbol	Meaning
	Additional information on the weapon, practical handling of the weapon or using this manual.
1.	Call to perform an action in a sequence of actions: Here you have to do something!
>	Stand-alone step or call to perform an action in a warning: Here you have to do something!
>>	The sequence of actions is not complete, and is continued on the next page: Please turn the page!
•	Bullet point

1.3.3 Conventions for illustrations



Illustrations and drawings can vary from your weapon, depending on the model.

The information “right”, “left”, “front” and “back” apply to the weapon as seen in the direction of fire.

Illustrations and their constituent elements support the descriptions in this manual, and are identified as follows:

- The name of an illustration comprises the current page number and a consecutive lower-case letter starting again from “a” on each page, e.g. 5a.
- Calls to perform an action are indicated by upper-case letters enclosed in circles.
- Components relevant to the action are highlighted in blue. Where necessary the components are marked with numbers and identified in a legend.
- Motions are indicated by orange-coloured arrows.

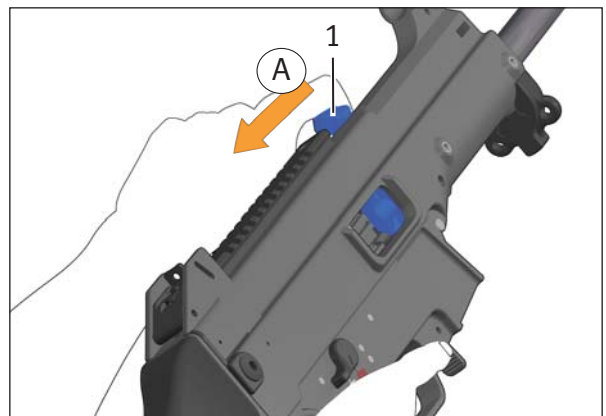


Fig. 5a: Example of an illustration

1 Charging handle

1.3.4 Conventions for cross references

Cross references represent relationships between the text and an illustration or an individual section. Cross references are in *italics* and enclosed in (brackets).

- Example of a cross reference between the text and an illustration: (*5a-1*)
The cross reference refers to numeral 1 in the illustration numbered 5a on page 5, the charging handle.



The text frequently refers to the front and back fold-out pages, which are identified by the Roman numerals I (front) and II (back)

- Example of a cross reference between sections: (*Section 1.3.3*)
The cross reference refers to Section 1.3.3, conventions for illustrations.

2 Fundamental safety instructions



The weapon has been designed and manufactured according to the latest technical knowledge and the recognised safety rules. Nevertheless, use of the weapon may result in injury or death of the user and third parties, or damage to the weapon and other material property.

- › Follow all of the instructions in this operator's manual. Non-compliance may result in injury or death.
- › Do not handle the weapon if you are tired, feel unwell, or have consumed alcohol, drugs or medicines.
- › Do not use the weapon for criminal acts or in support of criminal acts.

2.1 The operator's manual as an integral component of the safety concept



The operator's manual is an integral component of the weapon.

- › Do not use the weapon until you have read and understood this operator's manual completely.
- › Keep the operator's manual for the entire service life of the weapon.
- › If you receive any supplements or amendments, be sure to add them to the operator's manual.
- › Pass the operator's manual on to any subsequent operator or owner.
- › Do not entrust the weapon to anyone who has not read and understood this operator's manual completely.

2.2 Safety instructions for handling the weapon

- › Special care must be taken when handling firearms, because the position and direction of the weapon can be changed very easily.
- › Use the weapon only if it is in perfect technical condition.

- › Treat the weapon as if there were a round in the chamber until you have verified whether or not it is actually loaded.
- › Make sure that the weapon is always unloaded when it is handled for purposes other than loading or firing.
- › Use the weapon only for its intended purpose. Do not use the weapon as a club, hammer, pry bar, etc. Using the weapon for other than its intended purpose may result in accidental discharge of weapon or damage to the weapon.
- › Do not play with the weapon.
- › Never point the weapon at people when handling or practising with it.
- › Do not touch the trigger when loading, unloading, aiming or handling the weapon in any other way. Always place your trigger finger on the outside of the trigger guard.
- › Do not use excessive force when handling, disassembling, cleaning and assembling the weapon.
- › Avoid unnecessary dry firing of the hammer. Unnecessary dry firing of the hammer can lead to premature wear.
- › Store weapon and ammunition separately. Be sure to prevent access to the weapon and ammunition by unauthorised persons, especially children.
- › Never give or take the weapon unless it is unloaded and the bolt is in the open position.
- › Immediately rectify any faults that compromise safety.
- › Exposure to exceptional stresses such as when the weapon is banged or dropped can have a negative effect on safety. After excessive stresses, have the weapon inspected by the manufacturer or trained firearms personnel.
- › Do not rely on safety features. Safety features are no substitute for careful, correct handling of the weapon.
- › When using accessories and ammunition, follow the instructions provided by their respective manufacturers.

2.3 Safety instructions for firing

- › Wear hearing protection when firing.
- › Wear safety goggles when firing.
- › Keep your hands out of the path of the bolt when firing.
- › Keep the muzzle area clear when firing.
- › Do not shoot at doors, panes of glass, walls, concrete, stone, or smooth surfaces (including water). A round can penetrate these objects or be deflected in an unsafe direction.
- › Pull the trigger only if the weapon is pointing at the target and the area behind the target is not endangered.
- › The trigger must be pulled back as far as it will go. When firing in rapid succession, let the trigger return all the way forwards after each shot.
- › Use only properly loaded, undamaged cartridges of the correct calibre.
- › Do not touch the barrel after firing. The barrel heats up during firing.

2.4 Exclusion of liability and warranty

Heckler & Koch GmbH accepts no liability and provides no warranty for incidents arising from:

- non-compliance with this manual,
- incorrect handling of the weapon,
- negligence,
- improper use,
- modifications, attachments to or conversion of the weapon without the express written consent of Heckler & Koch GmbH, or
- use of accessories or spare parts from other manufacturers without the express written consent of Heckler & Koch GmbH.

3 Description of the weapon

The USC selfloading carbine is a blowback-operated weapon. Magazine (*la-10*) is available in two sizes, holding 5 or 10 cartridges.

3.1 Designation

USC Universal Selfloading Carbine

3.2 Intended use

The USC selfloading carbine is a firearm for sport shooting at a range of up to 50 m.

3.3 Scope of supply



Fig. 10a: USC selfloading carbine, .45 ACP Calibre

1 USC selfloading carbine

3 Magazine

2 Tool set

4 Operator's Manual

3.4 Assembly groups

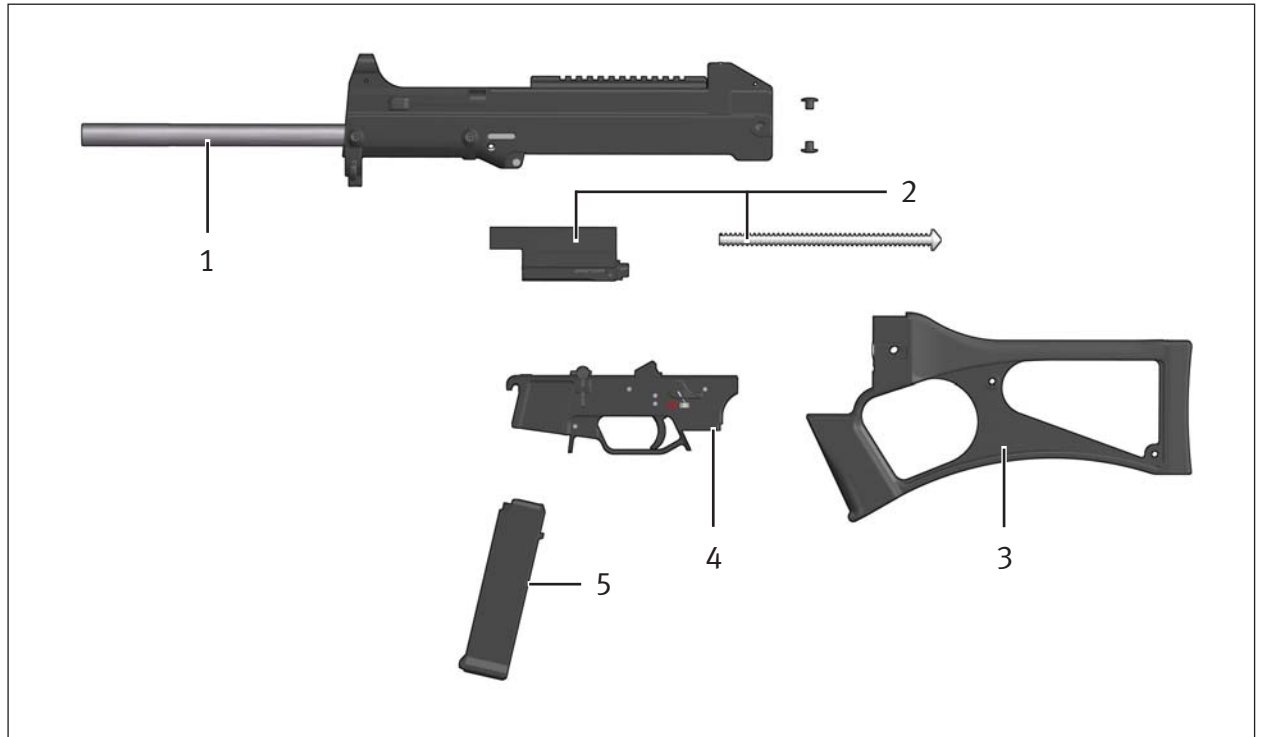


Fig. 11a: Assembly groups

- | | | | |
|---|---------------------------------------|---|-----------------|
| 1 | Receiver with barrel and add-on parts | 4 | Trigger housing |
| 2 | Bolt assembly and recoil spring | 5 | Magazine |
| 3 | Buttstock with grip assembly | | |

4 Technical description

4.1 Safety features

4.1.1 Safety lever

The safety lever (*Ila-10*) prevents accidental actuation of the trigger (*Ia-8*). In the “Safe” position the safety roller blocks the trigger. Only when the safety lever is clicked to the “Single fire” position with the safety roller release the trigger.

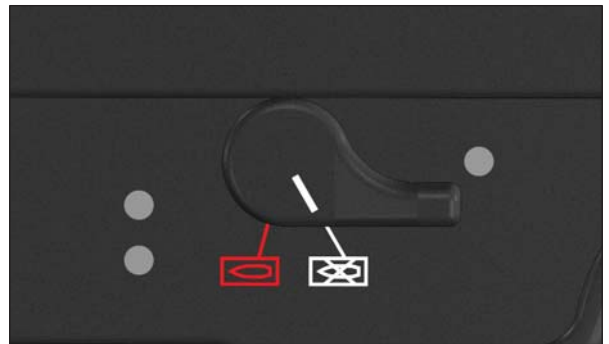


Fig. 12a: “Safe” position

4.1.2 Firing pin safety

The firing pin safety has 2 functions.

The firing pin safety prevents accidental operation of the firing pin, for example if the weapon is dropped. The firing pin safety blocks the firing pin and prevents the firing pin from striking the cartridge primer. Only when the trigger (*Ia-8*) is pulled does the ejector release the firing pin safety, just before the hammer strikes the firing pin.

The firing pin safety prevents the cartridge from being fired when the bolt is not completely closed. Once a remaining forward travel distance of approx. 2 mm has been reached the firing pin safety releases the firing pin and the cartridge is fired.



Fig. 12b: “Single fire” position

4.1.3 Firing pin safety

The firing pin safety (13a-1) prevents accidental operation of the firing pin, for example if the weapon is dropped. The firing pin safety blocks the firing pin and prevents the firing pin from striking the cartridge primer. Only when the trigger (1a-8) is pulled will the hammer (13a-A) release the firing pin safety (13a-B).

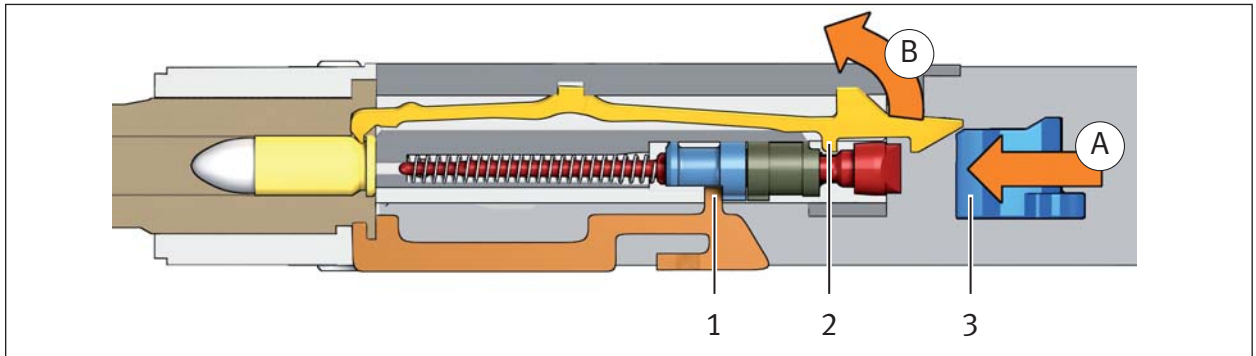


Fig. 13a: Firing pin safety

1 Firing pin safety

2 Hammer

4.1.4 Operator safety

The operator safety ensures that the weapon cannot be fired until the bolt group is in a safe position for the shooter. When the bolt group is in open position, the firing pin is located in the bolt group. The hammer cannot strike the firing pin. The notch on the ejector (13b-1) can only press the sleeve (13b-2) backwards once the bolt group is in a position which is safe for the shooter. The sleeve pushes the firing pin out of the bolt group. Only now can the hammer strike the firing pin.

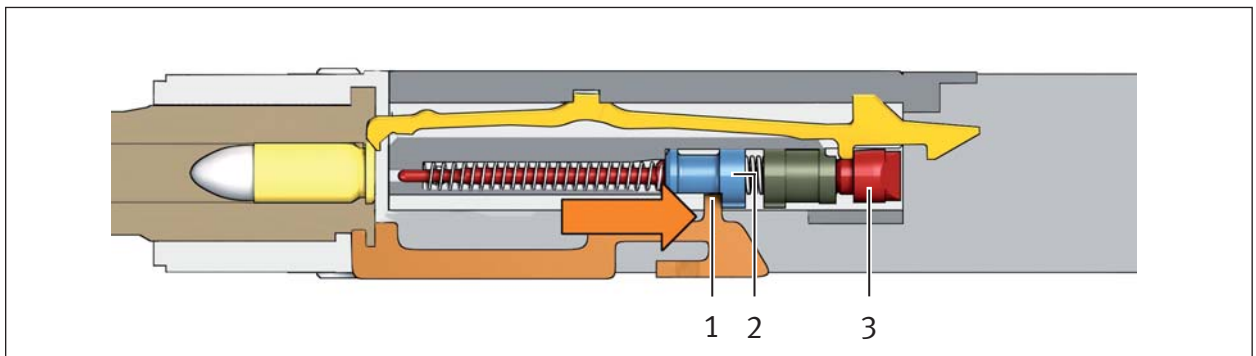


Fig. 13b: Operator safety

1 Notch on ejector

2 Sleeve

3 Firing pin

5 Cleaning kit and auxiliary materials

5.1 Cleaning kit



The cleaning kit is not included in the standard scope of supply for the weapon. The cleaning kit can be ordered from Heckler & Koch using the Ident.-No. shown.

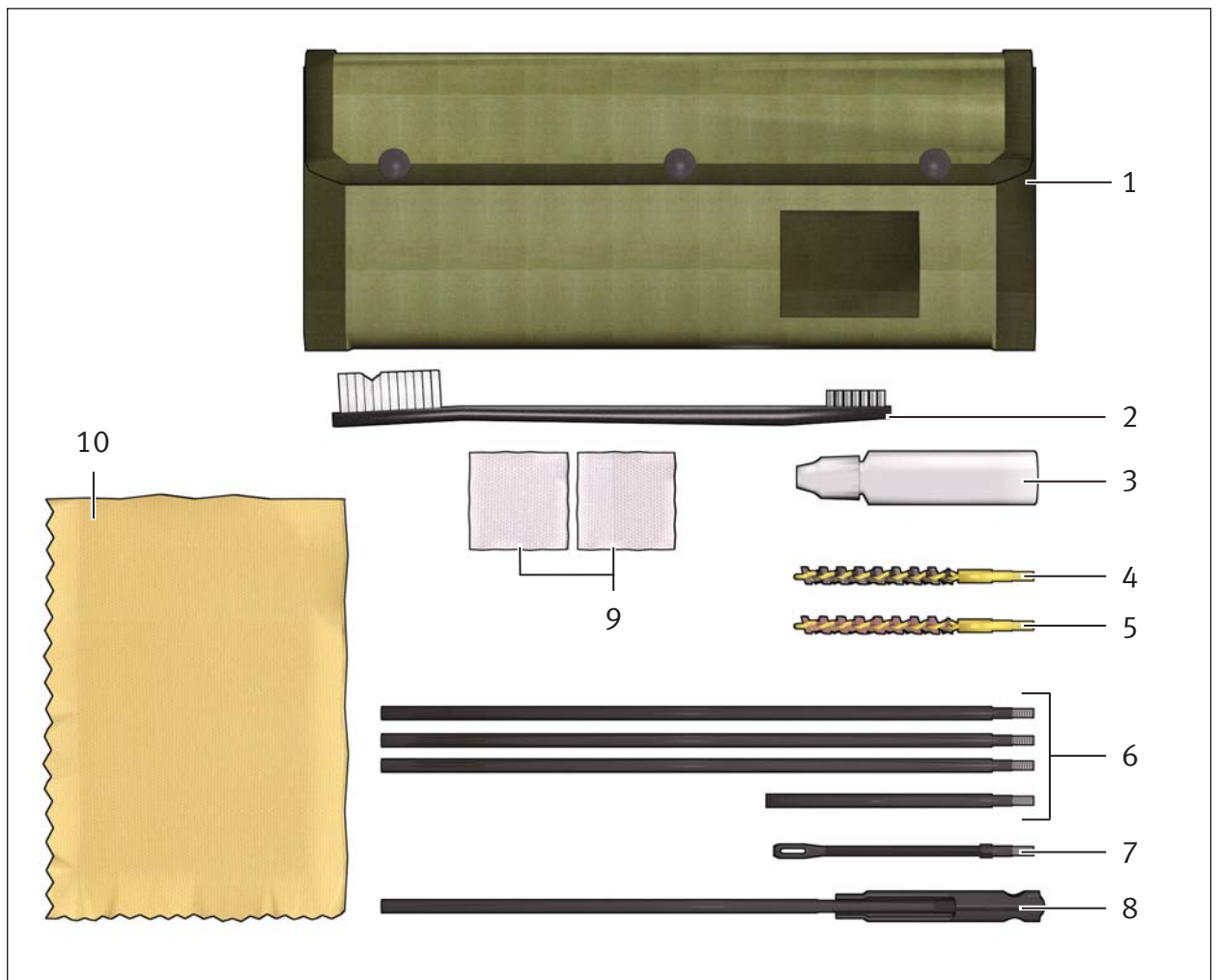


Fig. 14a: Cleaning kit (Ident.-No. 967509)

- | | | | |
|---|-----------------------|----|---------------------|
| 1 | Case for cleaning kit | 6 | Extension rods |
| 2 | Cleaning brush | 7 | Pull-through holder |
| 3 | Oil bottle | 8 | Handle rod |
| 4 | Oil brush | 9 | Cleaning cloths |
| 5 | Barrel cleaning brush | 10 | Cleaning rag |

5.2 Auxiliary materials



Auxiliary materials are available from specialist dealers.

Required auxiliary materials are listed at the beginning of each section.

The following auxiliary materials are required in this manual:

- 2 mm Allen key
- 3 mm Allen key
- 5 mm Allen key

- Grease
- Low-temperature oil (MIL-L-14107), e.g. O-157
- Oil (MIL-L-46000), e.g. S-761, OX24
- Oil paper
- Cleaning pull-through

Part II

Handling

6 Checks

6.1 Carrying out a safety check



Successful completion of a safety check verifies that there is no ammunition in the weapon. The safety check is especially important when giving or taking a weapon and when you are unsure whether or not a weapon is loaded.

1. Remove magazine (*Section 8.5*).
2. Pull charging handle (*1a-2*) all the way back and hold it (*19a-A*).
3. Turn charging handle upwards and lock it.

⚠ CAUTION

Risk of injury when the bolt moves forwards quickly!

The bolt snaps forwards when the charging handle is pushed down.

› Do not reach into the path of the bolt group.

4. Look into the chamber. There must not be any cartridge in the chamber (*19a-B*). If there is a cartridge in the chamber, then a fault is present (*Section 10*).
5. Push charging handle downwards. The bolt group snaps forwards.
6. Click safety lever (*11a-10*) to the “Single fire” position.
7. Pull the trigger (*1a-8*). The hammer is released.
8. Click safety lever to the “Safe” position.

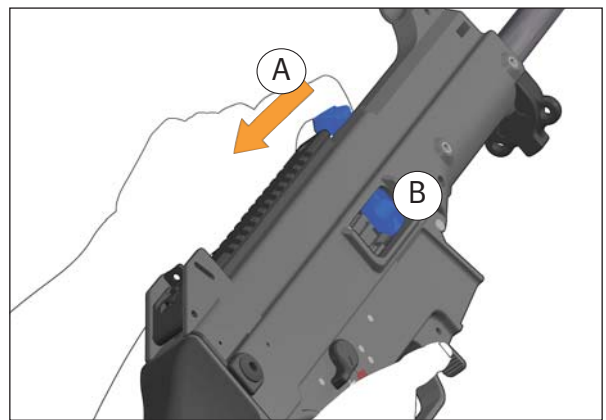


Fig. 19a: Carrying out a safety check

6.2 Carrying out a function check



Successful completion of a function check verifies that the weapon is functional. The function check is especially important after assembly of the weapon and after rectification of faults.

1. Remove magazine (*Section 8.5*).
2. Move charging handle (*Ia-2*) backwards and forwards all the way several times.
3. Let charging handle snap forwards.
4. Click safety lever (*Ila-10*) to the “Safe” position.
5. Pull trigger (*Ia-8*). The hammer is not released.
6. Click safety lever to the “Single fire” position.
7. Pull trigger and hold it. The hammer is released.
8. Pull charging handle all the way back and then forwards.
9. Release trigger. The sear release catch releases the hammer.
10. Pull the trigger. The hammer is released.
11. Insert empty magazine (*Ia-10*) into the weapon until the magazine catch (*Ila-9*) engages.
12. Verify that the magazine is firmly seated.
13. Pull charging handle all the way back. The bolt group is held in the open position by the bolt catch/release lever (*Ia-9*).

CAUTION

Risk of injury when the bolt group moves forwards quickly!

The bolt snaps forwards when the bolt catch/release lever is pushed.

- › Do not reach into the path of the bolt group.

14. Push charging handle all the way forwards. »

15. Push bolt catch/release lever. The bolt group snaps forwards.
16. Remove magazine (*Section 8.5*).
17. Pull the trigger. The hammer is released.
18. Click safety lever to the “Safe” position.

7 Preparations

7.1 Using the carrying sling



The carrying sling is not included in the standard scope of supply for the weapon. The carrying sling can be ordered from Heckler & Koch using the Ident.-No. shown.

7.1.1 Mounting the carrying sling on the weapon

1. Hook front snap hook into the eye for carrying sling (22a-A).
2. Hook rear snap hook into one of the eyes on the buttstock (22a-B, 22a-C).



Fig. 22a: Mounting the carrying sling on the weapon

7.1.2 Adjusting the length of the carrying sling



The length of the carrying sling is optimal if the distance between the lower arm and the weapon is approx. 10 cm (23a-A).

1. Mount carrying sling on the weapon (Section 7.1.1).
2. Close coupling (23b-3).
3. Slide front buckle (23b-2) and coupling as close as possible to the front snap hook (23b-1).
4. To shorten the carrying sling, slide rear buckle (23b-4) and top part of sling towards the rear snap hook (23b-5).
5. To lengthen the carrying sling, slide rear buckle and top part of sling towards coupling.
6. Tighten carrying sling.

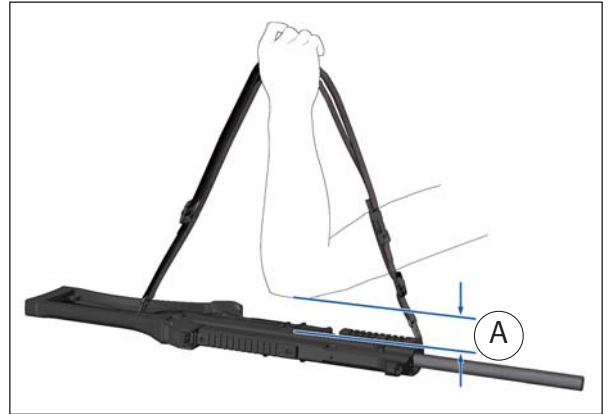


Fig. 23a: Optimal length of the carrying sling



Fig. 23b: Carrying sling (Ident.-No. 214085)

- | | | | |
|---|------------------|---|-----------------|
| 1 | Snap hook, front | 4 | Buckle, rear |
| 2 | Buckle, front | 5 | Snap hook, rear |
| 3 | Coupling | | |

7.2 Converting the Picatinny rail

Required auxiliary materials:

- 3 mm Allen key



The Picatinny rail is not included in the standard scope of supply for the weapon. The Picatinny rail can be ordered from Heckler & Koch using the Ident.-No. shown.



The weapon can be equipped with Picatinny rails (25b-4) at the 3, 6 and 9 o'clock positions. When converting the Picatinny rail to the 6 o'clock position, the adapter (25a-3) is not needed.

1. Loosen screw for eye (25a-1) with Allen key and remove screw.
2. Remove eye for carrying sling (25a-2) and adapter (25a-3).
3. Loosen front and rear screws (25b-5) from Picatinny rail with Allen key.
4. Remove Picatinny rail. »

5. Place Picatinny rail on the underside of the receiver (IIa-5) and hold it there.
6. Fasten Picatinny rail to the receiver using the rear screw (25b-5) with Allen key.
7. Place eye for carrying sling without adapter on the Picatinny rail on the receiver and hold it there.
8. Insert screw for eye into eye for carrying sling.
9. Tighten screw for eye using Allen key.

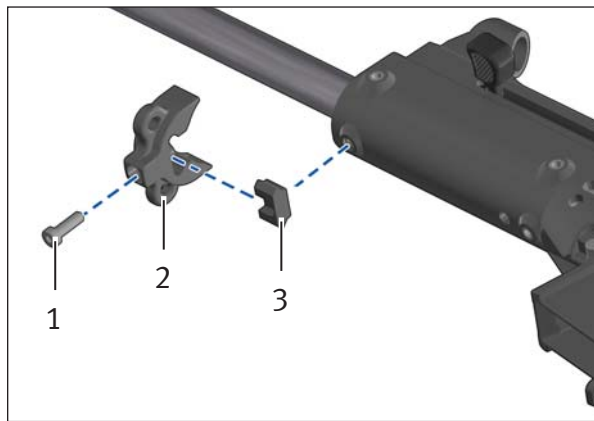


Fig. 25a: Removing the eye for carrying sling

- 1 Screw for eye
- 2 Eye for carrying sling
- 3 Adapter

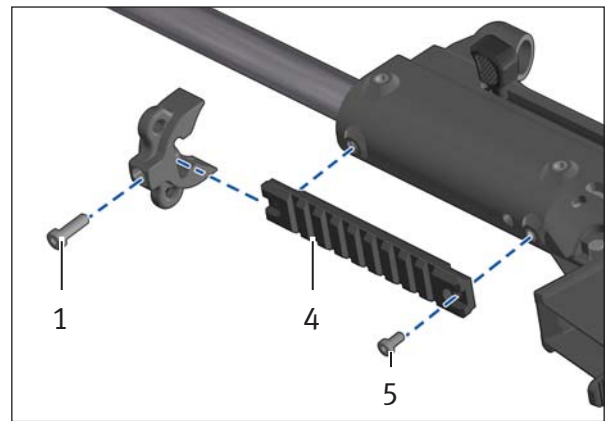


Fig. 25b: Converting the Picatinny rail

- 4 Picatinny rail (Ident.-No. 219660)
- 5 Screw, rear

7.3 Adjusting the sights

Required auxiliary materials:

- 2 mm Allen key



The point of impact also depends on the ammunition. The use of different types of ammunition types can change the elevation and windage of the point of impact. The sights can be adjusted to correct for the changed point of impact.

Point of impact	Corrective measures	Information
	› Turn elevation adjustment screw clockwise using Allen key (26a).	Turning the elevation adjustment screw by one turn changes the point of impact by approx. 4.5 cm at a range of 25 m.
	› Turn elevation adjustment screw anti-clockwise using Allen key (26a).	
	› Turn windage adjustment screw clockwise using Allen key (26b).	Turning the windage adjustment screw by one turn changes the point of impact by approx. 4.5 cm at a range of 25 m.
	› Turn windage adjustment screw anti-clockwise using Allen key (26b).	

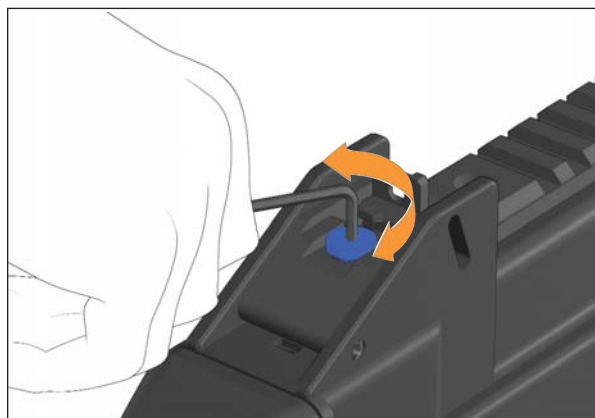


Fig. 26a: Turning the elevation adjustment screw

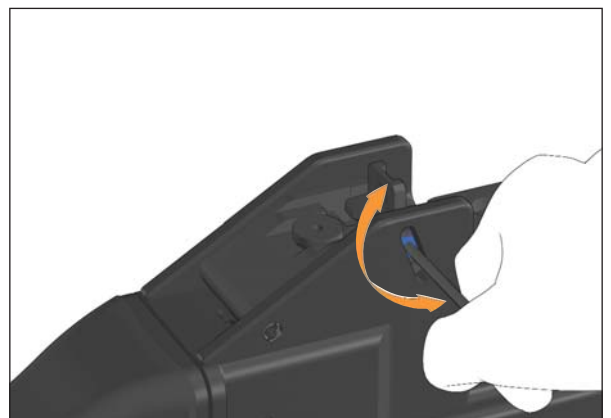


Fig. 26b: Turning the windage adjustment screw

7.4 Filling the magazine

NOTICE

Danger of material damage due to damaged, dented or fouled cartridges!

Damaged, dented or fouled cartridges can damage the weapon and cause malfunctions.

› Do not use damaged, dented or fouled cartridges.

NOTICE

Danger of material damage from overfilled magazine!

An overfilled magazine can lead to malfunctions.

› Do not fill the magazine with more than 5 or 10 cartridges.

NOTICE

Danger of material damage from keeping a magazine filled for long periods!

Keeping a magazine filled for long periods can result in damage to the magazine spring and cause malfunctions.

› Empty the magazine before you place the weapon in storage (*Section 8.8*).

7.4.1 Filling the magazine

1. Grasp magazine (*1a-10*).
2. Push cartridge base first under the magazine lips (*1a-12*) (*27a-A*).
3. Push cartridge to the rear as far as it will go (*27a-B*).
4. Repeat steps 2. - 3. until the magazine is full.

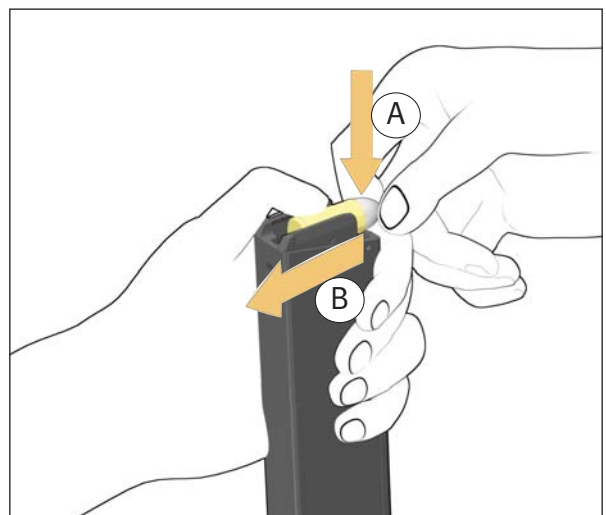


Fig. 27a: Filling the magazine

7.5 Preparing the weapon for firing

Required auxiliary materials:

- *Cleaning pull-through*
1. Disassemble the weapon (*Section 9.2*).
 2. Screw together handle rod (*14a-8*), extension rods (*14a-6*) and pull-through holder (*14a-7*).
 3. Place clean cleaning pull-through in pull-through holder.
 4. Pull clean cleaning pull-through through the barrel (*1a-1*) several times until the barrel is free of oil and foreign bodies.
 5. Visually check the weapon for damage.
 6. Assemble the weapon (*Section 9.4*).
 7. Carry out function check (*Section 6.2*).

7.6 Additional preparations in unusual climatic conditions



High air humidity and ambient temperatures between -25 °C and +63 °C do not require any special measures.



In cold conditions, freezing condensation can compromise the functional reliability of the weapon. To prevent the formation of freezing condensation, do not bring the weapon from cold conditions into warm conditions and shortly thereafter again into cold conditions.

Required auxiliary materials:

- *Oil*
 - *Low-temperature oil*
- > When there are high concentrations of dust or temperatures above +63 °C, oil the lubrication points of the weapon (*39a*) more heavily.
 - > At temperatures below -25 °C, lubricate all moving parts with low-temperature oil.

8 Operation

8.1 Inserting the magazine

1. Fill magazine (*Section 7.4*).
2. Click safety lever (*I/a-10*) to the “Safe” position.
3. Insert filled magazine into the weapon until the magazine catch (*I/a-9*) engages.

8.2 Chambering a round

WARNING

Risk of injury from accidental discharge of weapon!

A weapon with a round in the chamber is always a potential source of danger.

- › Chamber a round only immediately before firing.
- › Unload the weapon immediately after firing (*Section 8.7*).

1. Insert a magazine into the weapon (*Section 8.1*).
2. Pull charging handle (*I/a-2*) all the way back.
3. Let charging handle snap forwards. There is now a round in the chamber.

8.3 Firing position and aiming

8.3.1 Firing position



The supported shoulder firing position is the most stable and provides the best probability of hitting.

⚠ WARNING

Risk of injury from recoil!

The weapon's recoil can cause serious injury.

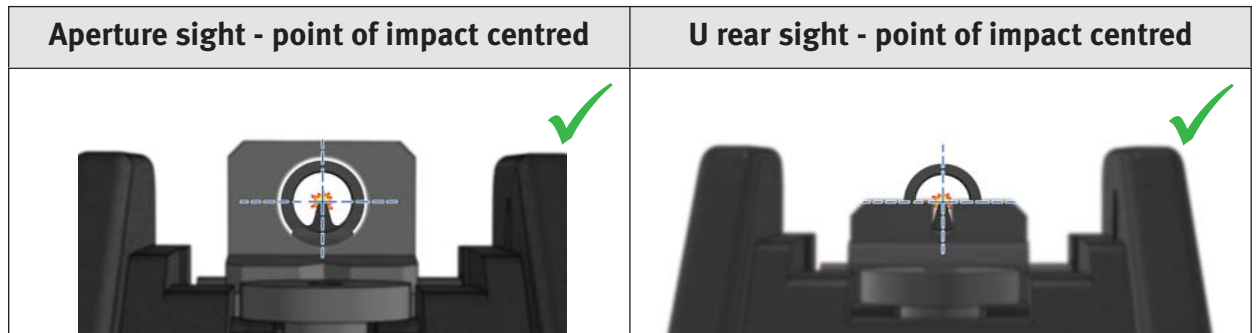
- › When firing, pull the weapon firmly into your shoulder.
 - › Keep your eye at least 6 cm away from the sight when firing.
 - › Keep your hands out of the path of the bolt when firing.
-
- › Do not stand weapon up on its barrel (*la-1*) or magazine (*la-10*).



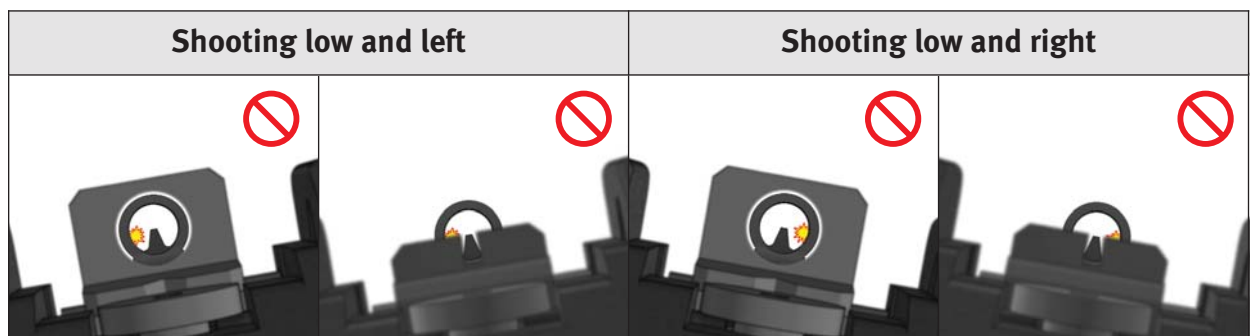
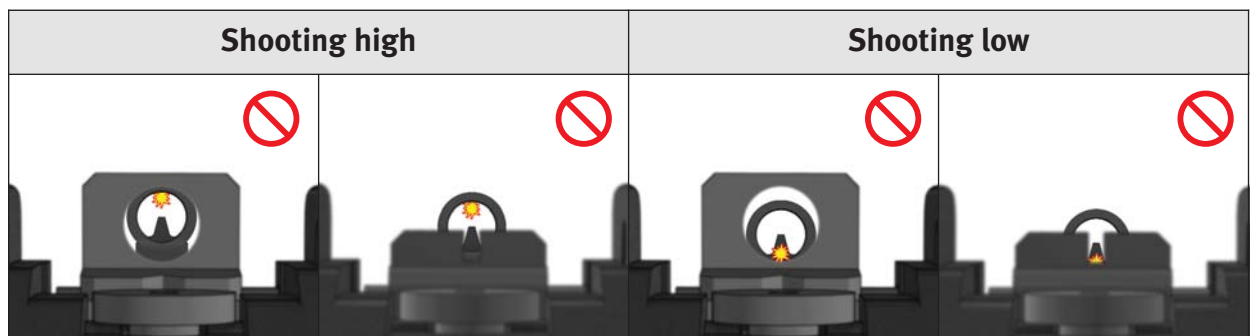
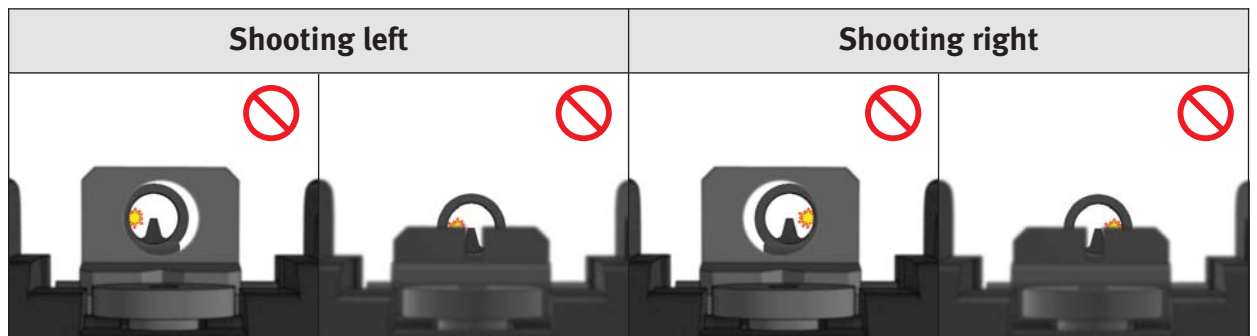
Fig. 30a: Firing position

8.3.2 Aiming

- Correct aiming



- Aiming errors



8.4 Firing



Follow safety instructions for firing (*Section 2.3*).

1. Prepare weapon for firing (*Section 7.5*).
2. Chamber a round (*Section 8.2*).
3. Aim (*Section 8.3.2*).
4. Click safety lever (*Ila-10*) to the “Single fire” position.

WARNING

Risk of injury from recoil!

The weapon’s recoil can cause serious injury.

- › When firing, pull the weapon firmly into your shoulder.
- › Keep your eye at least 6 cm away from the sight when firing.
- › Keep your hands out of the path of the bolt group when firing.

5. Pull trigger (*Ia-8*). A cartridge is fired.
6. After firing, or to reload, click safety lever to the “Safe” position.

8.5 Removing the magazine

1. Grasp magazine (*Ia-10*).
2. Press magazine catch (*Ila-9*).
3. Remove magazine.

8.6 Reloading the weapon

WARNING

Risk of injury from accidental discharge of weapon!

A weapon with a round in the chamber is always a potential source of danger.

- › Chamber a round only immediately before firing.
- › Unload the weapon immediately after firing (*Section 8.7*).



After the last cartridge in the magazine is fired, the bolt catch lever locks the bolt group in the open position.

1. Remove magazine (*Section 8.5*).
2. Insert a magazine into the weapon (*Section 8.1*).
3. Push bolt catch/release lever (*la-9*). The bolt group snaps forwards. There is now a round in the chamber.

8.7 Unloading the weapon

1. Remove magazine (*Section 8.5*).
2. Pull charging handle (*la-2*) all the way back and hold it. A cartridge is ejected.
3. Turn charging handle upwards and lock it.

CAUTION

Risk of injury when the bolt group moves forwards quickly!

The bolt group snaps forwards when the charging handle is pushed down.

- › Do not reach into the path of the bolt group.

4. Look into the chamber. There must not be any cartridge in the chamber. If there is a cartridge in the chamber, then a fault is present (*Section 10*). »

5. Push charging handle downwards. The bolt group snaps forwards.
6. Click safety lever (*I/a-10*) to the “Single fire” position.
7. Pull the trigger (*I/a-8*). The hammer is released.
8. Click safety lever to the “Safe” position.

8.8 Emptying the magazine

- › Push cartridges forwards out of the magazine (*I/a-10*).

AVERTISSEMENT

Risk of injury from ignition of cartridges!

Impacts to the primer can ignite the cartridge.

- › Push the cartridges into your hand when you empty the magazine.
- › Prevent any impacts to the primer.
- › Prevent cartridges from falling.

9 Cleaning

9.1 General instructions for cleaning



Regular cleaning and care of the weapon and accessories

- maintain functional reliability,
- increase service life,
- prevent accidents, and
- save repair costs and time.

- › Clean weapon each time it is fired and at intervals of 1000 rounds.

NOTICE

Danger of material damage from the use of excessive force!

The use of excessive force during disassembly, cleaning and assembly can damage the weapon.

- › Do not use excessive force when disassembling and assembling the weapon.

9.2 Disassembling the weapon

⚠ WARNING

Risk of injury from improperly assembled weapon!

improper assembly can compromise the safety and function of the weapon.

- › Only disassemble the weapon to the extent described in this manual.

9.2.1 Disassembling the weapon into assembly groups

Required auxiliary materials:

- 5 mm Allen key

1. Carry out a safety check (*Section 6.1*).
2. Pull charging handle (*1a-2*) all the way back.



The hammer must be cocked during disassembly into assembly groups.

3. Let charging handle snap forwards.
4. Loosen screws for buttstock (*1a-5*) with Allen key and remove screws (*36a*).
5. Remove buttstock (*1a-7*) towards the rear.
6. Fold trigger housing (*11a-4*) downwards and remove (*36b*).
7. Pull charging handle back.
8. Remove bolt group and recoil spring from the receiver.



Fig. 36a: Loosening screws



Fig. 36b: Folding trigger housing downwards

9.2.2 Disassembling the bolt group

1. Disassemble the weapon into assembly groups (*Section 9.2.1*).
2. Pull retaining pin (37a-3) to the left and out of the bolt group (37a-4).
3. Push rear of extractor (37b-1) to the right.
4. Take firing pin (37a-2) and firing pin spring (37a-1) to the rear and out of the bolt group.

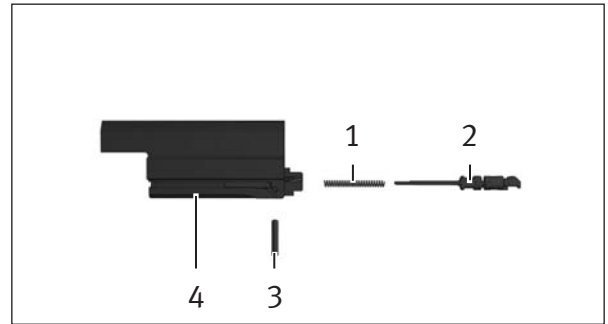


Fig. 37a: Components of the bolt group

- 1 Firing pin spring
- 2 Firing pin
- 3 Retaining pin
- 4 Bolt group

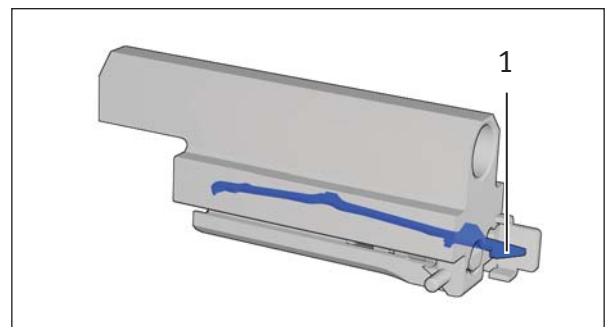


Fig. 37b: Cutaway illustration of bolt group

- 1 Extractor

9.3 Cleaning the weapon

Required auxiliary materials:

- Oil
- Cleaning pull-through



Clean the barrel from the chamber to the muzzle.

NOTICE

Danger of material damage from incorrect cleaning agents and care products!

Incorrect cleaning agents and care products can damage the weapon.

- › When cleaning the weapon, use the specified cleaning agents.
- › Do not use any metallic objects, plastics (nylon, etc.) or chemical cleaning agents (benzine, tetrachlorethylene, trichlor, etc.) to clean the weapon.
- › Do not clean the weapon in an ultrasonic bath.

1. Disassemble the weapon (*Section 9.2*).
2. Visually check the weapon for damage.
3. Clean fouled parts and surfaces using cleaning rags (*14a-10*).
4. Oil cleaned metal parts lightly.
5. Screw together handle rod (*14a-8*), extension rods (*14a-6*) and pull-through holder (*14a-7*).
6. Clean chamber and cartridge guide (*39a-1*) using barrel cleaning brush.
7. Pull lubricated barrel cleaning brush through the barrel (*1a-1*) several times.
8. Replace barrel cleaning brush with pull-through holder.
9. Place clean cleaning pull-throughs in pull-through holder. »

10. Pull clean cleaning pull-through through the barrel several times until the barrel is free of oil and foreign bodies.
11. Replace pull-through holder with oil brush (14a-4).
12. Pull lubricated oil brush through the barrel.
13. Lubricate lubrication points of the weapon (39a).
14. Clean magazine (1a-10) and follower (1a-13) using cleaning rags.

NOTICE

Danger of material damage from lubricated cartridges!

Lubricated cartridges result in increased loads on components and can damage the weapon.

› Do not lubricate the inside of the magazine.

15. Assemble the weapon (Section 9.4).



Fig. 39a: Lubrication points of the weapon

1 Cartridge guide

9.4 Assembling the weapon

9.4.1 Assembling the bolt group

1. Push firing pin spring (37a-1) onto firing pin (37a-2).
2. Press extractor (37b-1) to the right and hold it.



Note the assembly position of the firing pin (40a). Insert firing pin with the surfaces facing downwards.

3. Insert firing pin and firing pin spring from the rear into the bolt group (37a-4) and hold them there.
4. Push retaining pin (40a-1) to the right completely into the bolt group.

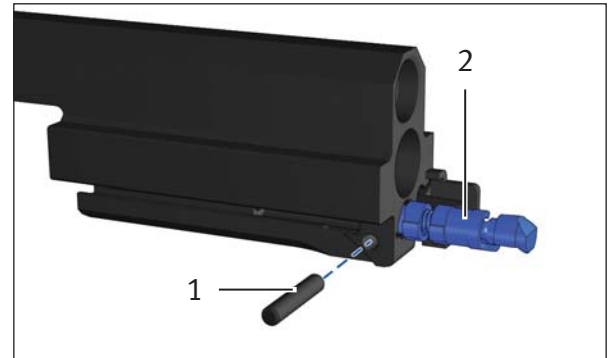


Fig. 40a: Assembly position of the firing pin

- 1 Retaining pin
- 2 Firing pin

9.4.2 Assembling the assembly groups

Required auxiliary materials:

- 5 mm Allen key

1. Assemble the bolt group (Section 9.4.1).
2. Inserting the bolt group into the receiver (41a).



The hammer must be cocked during assembly.

3. Push recoil spring into the receiver.
4. Push hammer downwards. The hammer engages in the cocked position.
5. Insert trigger housing at an angle of approx. 45° into the mounting pegs on the receiver.
6. Swing trigger housing up onto the receiver as far as it will go and hold it (41b).
7. Insert buttstock (1a-7) into receiver.
8. Tighten screws for buttstock (1a-5) with Allen key.
9. Carry out a function check (Section 6.2)

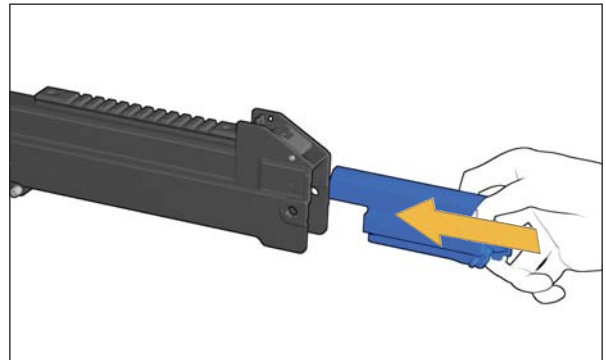


Fig. 41a: Inserting the bolt group



Fig. 41b: Swinging the trigger housing upwards

10 Faults: Causes and remedies



Users are strictly prohibited from troubleshooting faults that go beyond the scope of this manual! Only authorised specialists may rectify faults in the weapon.

WARNING

Safety risk from not knowing whether or not the weapon is loaded!

In the event of a fault, the weapon may be loaded even if you expect it to be unloaded.

- › In the event of a fault, treat the weapon as if it were loaded.
- › In the event of a fault, verify whether the weapon is actually loaded.
- › Follow the fundamental safety instructions for troubleshooting.

The following points do not constitute a complete list of all the possible faults. Causes other than those named here are also possible.

Fault	Cause	Remedy
Bullet is stuck in the barrel.	Improperly loaded ammunition.	Send weapon in for repair.
Cartridge has not fired.	Defective ammunition	Wait at least one minute. Unload weapon (<i>Section 8.7</i>). Do not re-use cartridges that have failed to fire.
	Firing pin sluggish, damaged or broken.	Send weapon in for repair.
	Firing pin spring defective.	Send weapon in for repair.

Fault	Cause	Remedy
Bolt group does not open after firing.	Cartridge case jams in chamber because the cartridge case is deformed or the chamber is fouled.	Unload weapon (<i>Section 8.7</i>). Clean chamber if necessary. Send weapon in for repair if necessary.
	Defective ammunition.	
Cartridge or cartridge case is not ejected.	Chamber is fouled.	Clean chamber.
	Rearward movement of bolt group too short.	Unload weapon (<i>Section 8.7</i>). Carry out function check (<i>Section 6.2</i>). Clean weapon if necessary (<i>Section 9.3</i>).
	Ammunition incorrectly loaded.	Use different ammunition.
	Extractor and/or ejector damaged.	Send weapon in for repair.
Cartridge is not loaded into the chamber.	Chamber is fouled.	Unload weapon (<i>Section 8.7</i>). Clean weapon (<i>Section 9.3</i>).
	Cartridge deformed.	Use different cartridge.
	Recoil spring defective.	Send weapon in for repair.
Cartridge does not feed.	Magazine not correctly inserted.	Insert magazine correctly.
	Magazine spring defective.	Send magazine in for repair.
	Magazine damaged.	Use different magazine.

Fault	Cause	Remedy
Bolt group does not stay in open position after last round.	Magazine spring defective.	Send magazine in for repair.
	Rearward movement of bolt group too short.	Unload weapon (<i>Section 8.7</i>). Carry out function check (<i>Section 6.2</i>). Clean weapon if necessary (<i>Section 9.3</i>).
	Bolt catch/release lever damaged.	Send weapon in for repair.
	Ammunition incorrectly loaded.	Use different ammunition.
Magazine sticks in magazine well.	Magazine damaged.	Exchange magazine. Send damaged magazine in for repair.
	Magazine catch defective.	Send weapon in for repair.
Windage or elevation of point of impact changed.	Sights misaligned.	Adjust sights (<i>Section 7.3</i>).
	Other type of ammunition.	Use another type of ammunition or adjust sights (<i>Section 7.3</i>).
	Sights damaged.	Send weapon in for repair.

11 Protection, packaging and storage



Protection guards the weapon against external influences and maintains its functional reliability even if it is not used for long periods. Whenever the weapon is expected to be stored for more than 6 months, the weapon must be protected.

If the weapon is expected to be stored for not more than six months, it is sufficient to clean the weapon (*Section 9.3*).

11.1 Protecting the weapon

Required auxiliary materials:

- Grease
- Oil paper



Clean the barrel from the chamber to the muzzle.

NOTICE

Risk of material damage from incorrect cleaning agents and care products!

Incorrect cleaning agents and care products can damage the weapon.

- › When cleaning the weapon, use the specified cleaning agents.
- › Do not use any metallic objects, plastics (nylon, etc.) or chemical cleaning agents (white spirit, tetrachlorethylene, trichlor, etc.) to clean the weapon.
- › Do not clean the weapon in an ultrasonic bath.

1. Clean weapon (*Section 9.3*).
2. Seal both ends of the barrel (*la-1*) with grease.
3. Wrap weapon in oil paper.

11.2 Packaging the weapon

1. Unload weapon (*Section 8.7*).
2. Empty magazine (*Section 8.8*).
3. Pack weapon in the appropriate transport container.

11.3 Storing the weapon



Store the weapon and ammunition separately.

1. Follow national regulations for the storage of weapons and ammunition.
2. Whenever the weapon is expected to be stored for more than six months, protect the weapon (*Section 11.1*).
3. Whenever the weapon is not expected to be stored for more than six months, clean the weapon (*Section 9.3*).
4. Package weapon (*Section 11.2*).
5. Store the weapon in an enclosed, weather resistant room.

WARNING

Danger of accidents from unauthorised persons!

Unauthorised persons who have no experience with weapons can cause accidents.

- › Be sure to prevent access to the weapon and ammunition by unauthorised persons, especially children.

6. Protect rooms where weapons are stored against break-in and fire.

Whenever the weapon is stored for more than one year:

7. Check the grease seal on the barrel and the oil film on the metal parts annually.

12 Transport and shipping

12.1 Preparing the weapon for transport



Transport weapon and ammunition separately.

1. Follow national regulations for the transport of weapons and ammunition.
2. Package weapon (*Section 11.2*).
3. Secure weapon in vehicle.

NOTICE

Danger of material damage from vibrations!

Vibrations during transport can damage the weapon.

- › During transport, secure the transport container against slipping and damage from outside influences.
- › Avoid impacts and vibration of the weapon.

12.2 Shipping the weapon



Ship weapon and ammunition separately.

1. Follow national regulations for the shipping of weapons and ammunition.
2. Package weapon (*Section 11.2*).
3. Pack weapon in an inconspicuous carton.
4. Note sender and recipient on the package.
5. Affix sufficient postage to package.
6. Ship weapon.

13 Disposal

1. Follow national regulations for the disposal of weapons.
2. Write a letter containing the following information:
 - your name
 - your address
 - your telephone number
 - product designation and Serial-No. (Ia-3)
 - note that the weapon should be disposed of
3. Send weapon and letter together to the point of sale where the weapon was purchased (*Section 12.2*).



Alternatively the package can be sent to the following address:

Heckler & Koch GmbH
Heckler & Koch-Strasse 1
78727 Oberndorf/N.
Germany

Selfloading carbine	USC
Calibre	.45 ACP
Operating principle	Blowback-operated
Bolt system	Firing from the closed bolt
Cartridge feed	Magazine, 5/10 cartridges
Cartridge case ejection	Right
Mode of fire	Single fire
Dimensions	
Length	900 mm
Width	50 mm
Height	245 mm
Barrel length	406 mm
Sight radius	327 mm
Weights	
Weapon without magazine	approx. 2.72 kg
Magazine, empty	approx. 100 g
Magazine, full ₁	approx. 310 g
Other data	
Trigger pull	approx. 25 N
Muzzle velocity - v_{0-1}	approx. 430 m/s
Muzzle energy - E_{0-1}	approx. 1108 J
Barrel profile / twist	6x polygonal profile, right-hand twist
Twist length	406 mm
Sights, folding	Iron sights (aperture/U front sight)
Comments	
Mounting points for accessories: Picatinny rails can be mounted on the top of the receiver and at the 3, 6, and 9 o'clock positions	

¹ Remington Golden Saber .45 ACP (+P), 185 GR Brass Jacket Hollow Point

Technical data



No Compromise

Quality . Innovation . Service . Safety



Heckler & Koch GmbH
Heckler & Koch-Str. 1
78727 Oberndorf/N.
Germany

Telephon: +49 (0) 74 23 /79-0
Fax: +49 (0) 74 23 /79-23 50
E-mail: TD@heckler-koch-de.com
Internet: www.heckler-koch.com