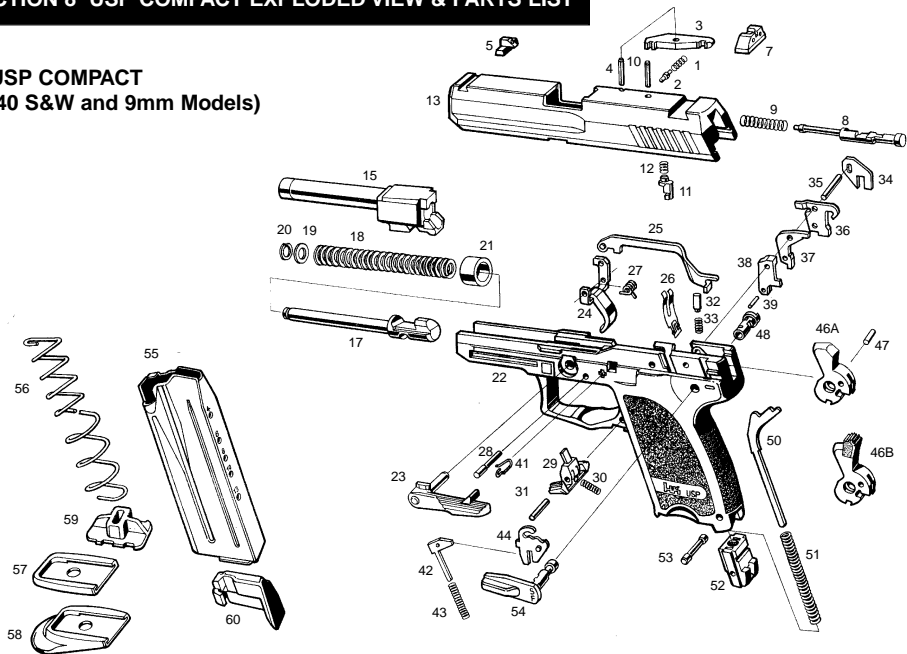


SECTION 8 USP COMPACT EXPLODED VIEW & PARTS LIST

USP COMPACT (.40 S&W and 9mm Models)



USP Compact Parts List (.40 S&W and 9mm Models)

Item	Description	Identification No.	Item	Description	Identification No.	Item	Description	Identification No.
1	Extractor spring	214188	25	Trigger bar	215812	51	Hammer spring	215694
2	Rubber plug, extractor spring	215801	26	Flat spring	214167	52	Lanyard loop insert	214341
3	Extractor	215919	27	Trigger rebound spring	214164	53	Lanyard loop insert pin	215829
4	Roll pin, ISO 8748 - 3 X 14mm (extractor)	980838	28	Trigger axle	214154	54	Control lever (variant 1, 5, 9)	215818
5	Front sight* (6.0 mm)	214804	29	Magazine release	214818		Control lever (variant 2, 6, 10)**	215855
	Front sight* (6.2 mm) standard	214803	30	Magazine release spring	215929		Control lever (variant 3)**	215858
	Front sight* (6.4 mm)	214945	31	Magazine release axle	980838		Control lever (variant 4)**	215872
	Front sight* (6.6 mm)	214944	32	Trigger bar detent	214165	55	Magazine housing (.40 cal., 10-rd)**	215833
	Front sight* (6.8 mm)	214943	33	Trigger bar detent spring	214166		Magazine housing (.40 cal., 12-rd)**	215661
	Front sight* (7.0 mm)	214942	34	Disconnecter	214840		Magazine housing (9mm, 10-rd.)*	215848
	Front sight* (7.2 mm)	214941	35	Sear axle	214101		Magazine housing (9mm, 13-rd)	215846
	Front sight* (7.4 mm)	214940	36	Catch	214773	56	Magazine spring (.40 cal. & 9mm, 10-rd.)*	214850
7	Rear sight*	214356	37	Sear, complete (variant 1-4, 9, 10)**	214179		Magazine spring (9mm 13-rd & .40 cal.12-rd)	214212
8	Firing pin	215821	38	Sear (variant 1-4, 9, 10)	214180	57	Floor plate (.40 cal., 10-rd.)*	215834
9	Firing pin spring	215822	39	Sear pin (variant 1-4, 9, 10)	982785		Floor plate (.40 cal., 12-rd.)*	215662
10	Roll pin, ISO 3 X 14mm	980838	40	Control latch**	214817		Floor plate (9mm, 10-rd.)*	215849
11	Firing pin block	215935	41	Shaped spring (slide release)	214171		Floor plate (9mm, 13-rd.)	215843
12	Firing pin block spring	214192	42	Slide plate (variant 1-6, 9, 10)	214105	58	Extended floor plate (.40 cal., 10-rd.)*	215978
13	Slide (.40 S&W)	215820	43	Compression spring	214104		Extended floor plate (.40 cal., 12-rd.)*	215663
	Slide (9mm)	215840	44	Detent plate (variant 1 & 2)	214949		Extended floor plate (9mm, 10-rd.)*	215983
14	Slide complete (.40 S&W)**	215819		Detent plate** (variant 3 & 4)	214254		Extended floor plate (9mm, 13-rd.)	215980
	Slide complete (9mm)**	215839		Detent plate** (v. 5, 6, 9, & 10)	214255	59	Locking plate (.40 caliber)**	215835
15	Barrel (.40 S&W)	215799	45	Tube (variant 5, 6, 7)**	214413		Locking plate (9mm, 10-rd.)*	215850
	Barrel (9mm)	215838	46	Hammer, bobbed, complete (variant 1, 2, 3, 4)**	215692		Locking plate (9mm 13-rd & .40 cal.12-rd)	214844
16	Recoil spring assembly complete with captive spring (.40 S&W)**	215827		Hammer, bobbed (variant 1, 2, 3, 4)	214693	60	Follower (all .40 caliber & 9mm)	215836
	Recoil spring assembly complete with captive spring (9mm)**	215851	46A	Hammer, bobbed, complete (variant 5, 6, 7)**	214744	61	Magazine complete (10-rd., 40 cal.)*	215832
17	Recoil spring guide rod	215828		Hammer, bobbed (variant 5, 6, 7)**	214745		Magazine complete (10-rd., 40 cal., with extended floorplate)**	215977
18	Recoil spring (.40 S&W)	215830		Hammer, spurred, complete (variant 9, 10)**	214825		Magazine complete (12-rd., 40 cal.)*	217438
	Recoil spring (9mm--colored red)	215852	46B	Hammer, spurred (variant 9, 10)	214687		Magazine complete (12-rd., 40 cal., with extended floorplate)**	217439
19	Recoil spring retainer	215831	47	Roll pin, hammer	926066		Magazine complete (10-rd, 9mm)**	215847
20	Spring ring	986788	48	Hammer axle (v.1-6, 9,10)	214744		Magazine complete (10-rd, 9mm, with extended floorplate)**	215982
21	Absorber bushing	215932	49	Hammer axle DA (variant 7)	214258		Magazine complete (13-rd, 9mm)**	215845
22	Frame	215810	50	Hammer strut	214809		Magazine complete (13-rd, 9mm, with extended floorplate)**	215981
23	Slide release	215814						
24	Trigger	215816						

**Not pictured in diagram