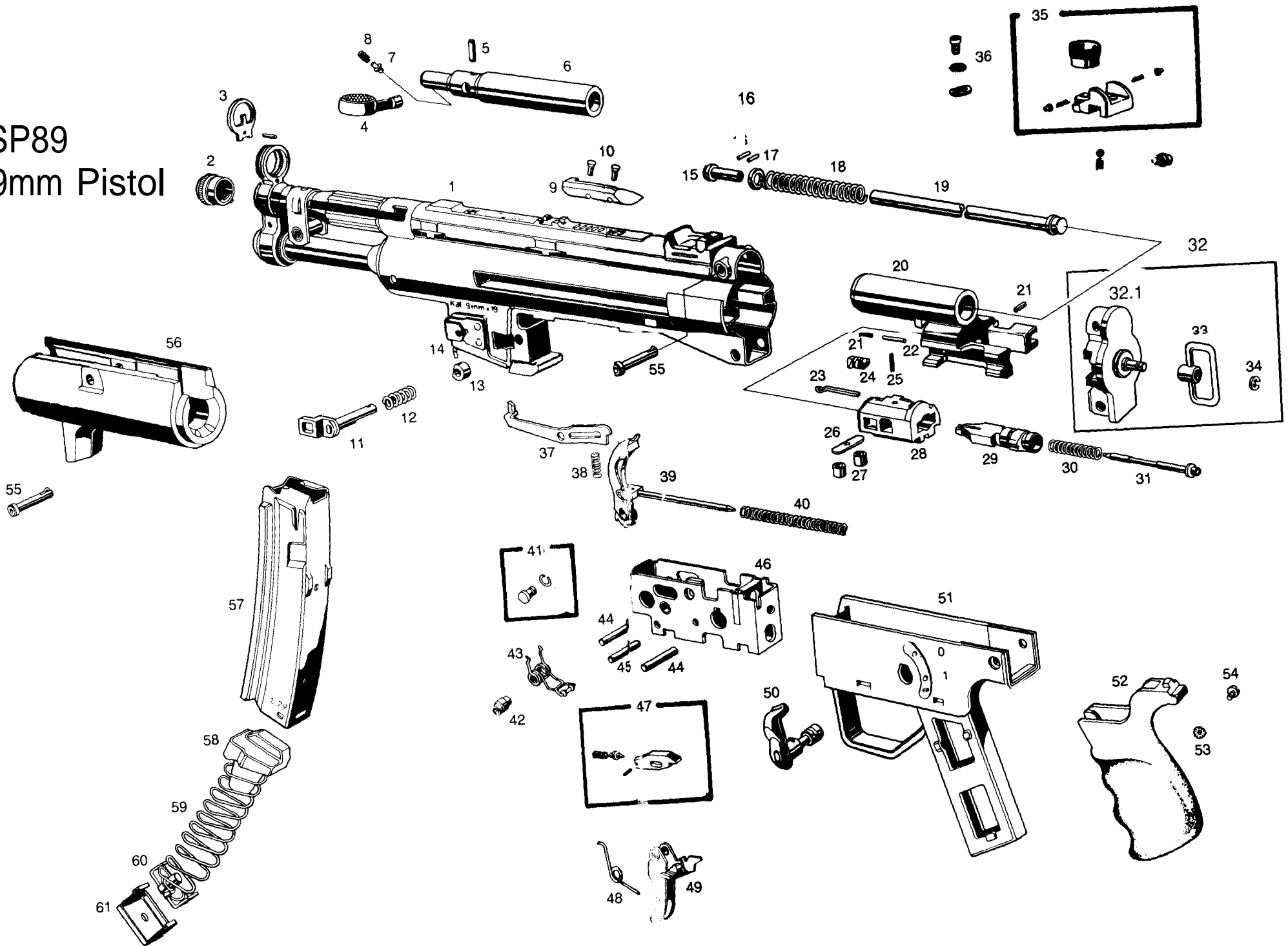


# SP89 9mm Pistol



# SP89 Parts List

1. Receiver, complete	Factory Installed	54. Grip screw	922613
2. Cocking tube cap	206497	55. Securing pin	200459
3. Front sight	200415	56. Forepiece	228811
4. Cocking handle	205905	57. Magazine housing	206478
5. Roll pin	922609	58. Follower	206675
6. Cocking handle support	205909	59. Magazine spring	206679
7. Plunger	205910	60. Locking plate	206680
8. Plunger spring	202495	61. Magazine floor plate	201654
9. Cartridge case deflector	201526		
10. Rivets for deflector	201527		
11. Magazine catch	206228		
12. Spring for magazine catch	200393		
13. Button for magazine catch	202538		
14. Roll pin	922608		
15. Stop pin	205603		
16. Rivets for stop pin	200526		
17. Guide ring	200524		
18. Recoil spring	20639 1		
19. Recoil spring tube	20640 1		
20. Bolt head carrier	Factory Installed		
21. Roll pin	205597		
22. Stop pin for locking piece	201597		
23. Extractor spring	206645		
24. Extractor	201610		
25. Roll pin for roller holder	200450		
26. Roller holder	200449		
27. Locking roller 8.0mm	Factory Installed		
28. Bolt head complete (pts 23-27)	Factory Installed		
29. Locking piece	Factory Installed		
30. Firing pin spring	201601		
31. Firing pin	201600		
32. Butt cap complete	206409		
32.1 Butt cap	206416		
33. Ring	205935		
34. Washer	206394		
35. Rear sight	206407		
36. Rear sight mounting parts	200988		
37. Ejector	201639		
38. Ejector spring	200478		
39. Hammer w/strutt	Factory Installed		
40. Hammer spring	201638		
41. Ejector axle w/spring	200479		
42. Distance sleeve	221022		
43. Sear spring w/roller	202545		
44. Axle for trigger & sear	200482		
45. Axle for hammer	200494		
46. Trigger housing	202548		
47. Sear assembly	Factory Installed		
48. Trigger spring	200483		
49. Trigger	225109		
50. Safety Axle	205621		
51. Grip frame	228820		
52. Grip	224997		
53. Toothed lock washer	922616		