

40 MM GRENADE LAUNCHER

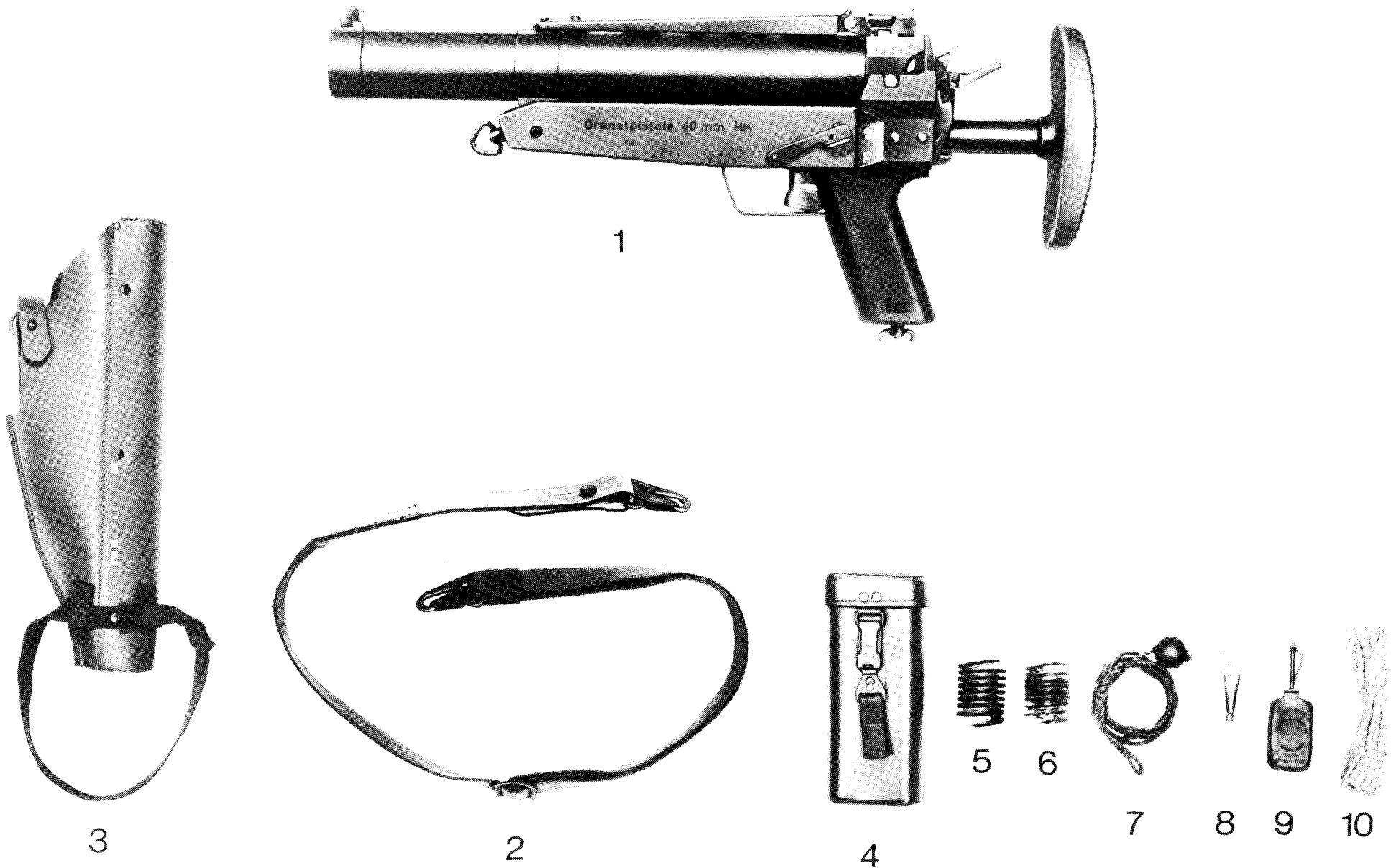
SPARE PARTS CATALOGUE

c **HK-Issue 1b/TD 2428**
OD 989
Ident. No. 927 881

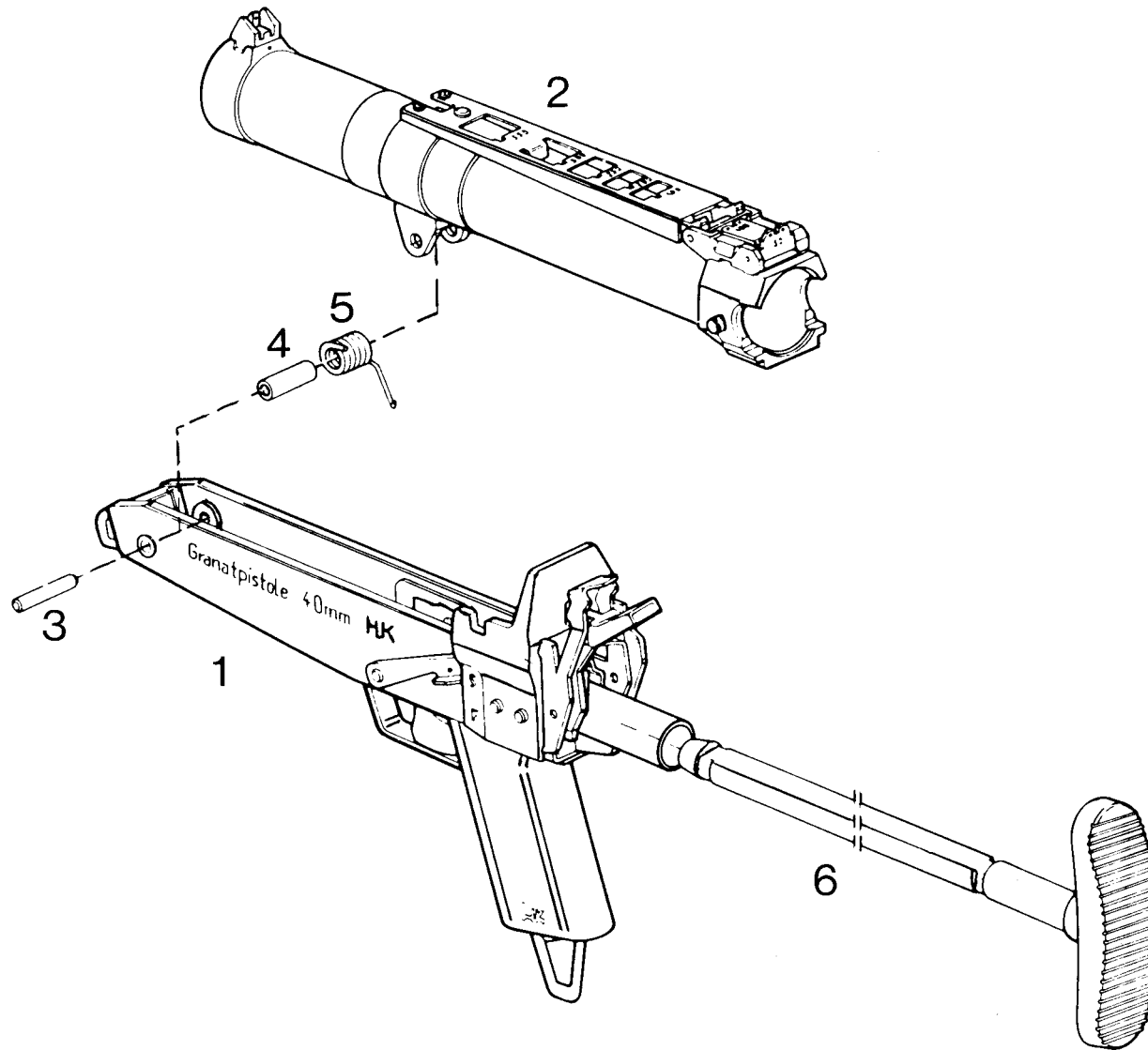
40 MM GRENADE LAUNCHER

40 MM GRENADE LAUNCHER WITH ACCESSORIES

FIG. 1



Pos.	Teile-Benennung	Teile-Nr.	Ident-Nr.			Bemerkungen
1	2	3	4	5	6	7
1	Grenade Launcher	1000096	204 517			Fig. 2
2	Carrying sling	1000115-10	222 323			
3	Carrying case	1000115-20	222 380			
	<u>Cleaning equipment for</u> <u>40 MM Grenade Launcher</u> consisting of: item 4 - 10	9849	222 444			
4	Cleaning kit container	9849-10	222 484			
5	Oil brush	100114-00.01	224 565			
6	Cleaning brush	100114-00.02	224 566			
7	Cleaning cord	100114-00.03	224 567			
8	Cleaning brush	100115-200.07	206 150			
9	Oiler, contents 50 ccm	VTL 4930-014	928 621			
10	Cleaning wick	TL 1090-001	962 018			

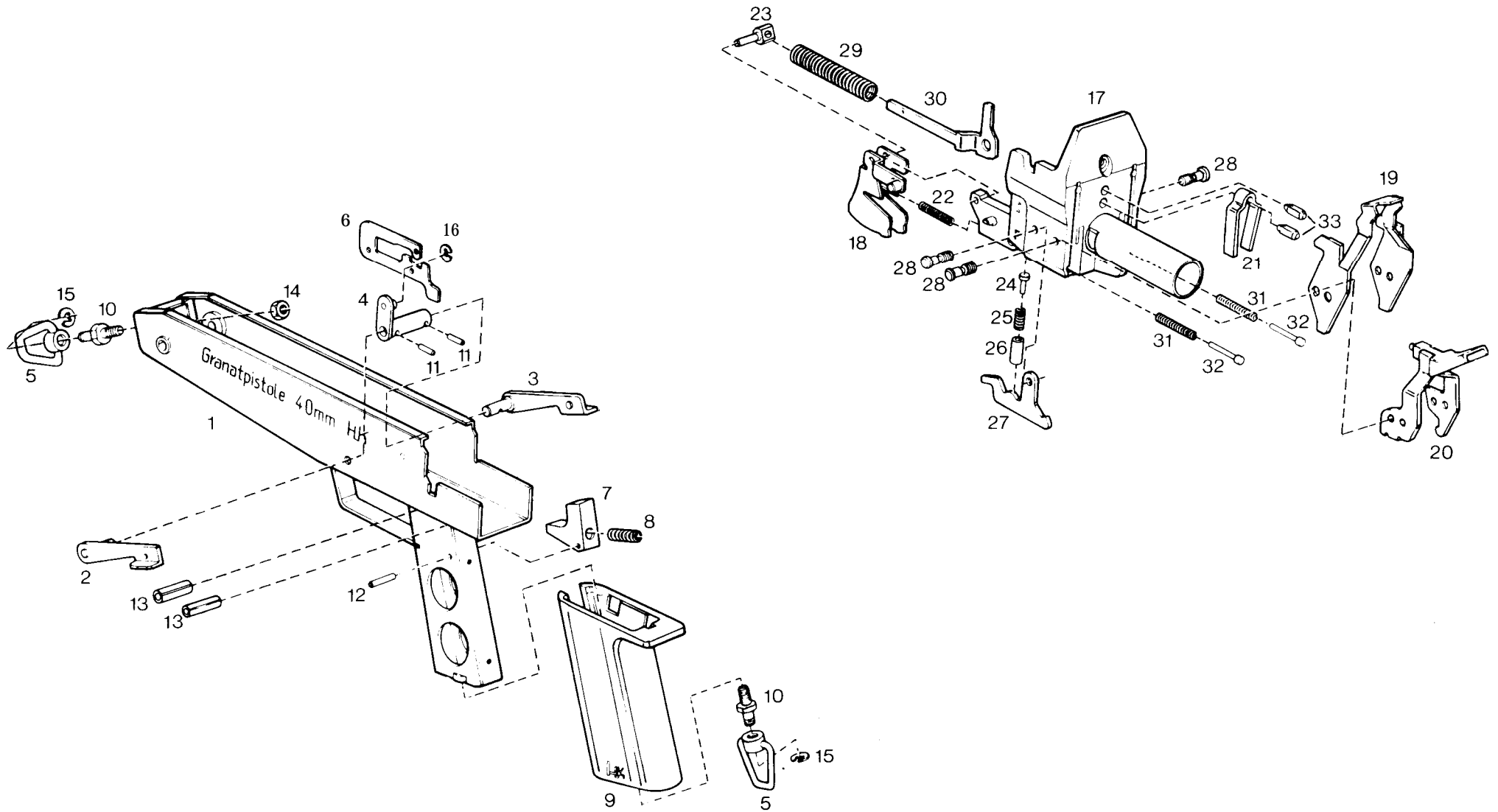


Pos.	Teile-Benennung	Teile-Nr.	Ident-Nr.			Bemerkungen
1	2	3	4	5	6	7
1	Receiver, compl.	1000096-10	204 520			Fig. 3
2	Barrel, compl.	1000096-30	204 582			Fig. 4
3	Clamping sleeve	DIN 7343 - 6 x 36	928 417			
4	Bushing	1000096-00.02	204 519			
5	Elbow spring	1000096-00.01	204 518			
6	Butt stock	1000096-50	204 576			

40 MM GRENADE LAUNCHER

RECEIVER, COMPLETE

FIG. 3

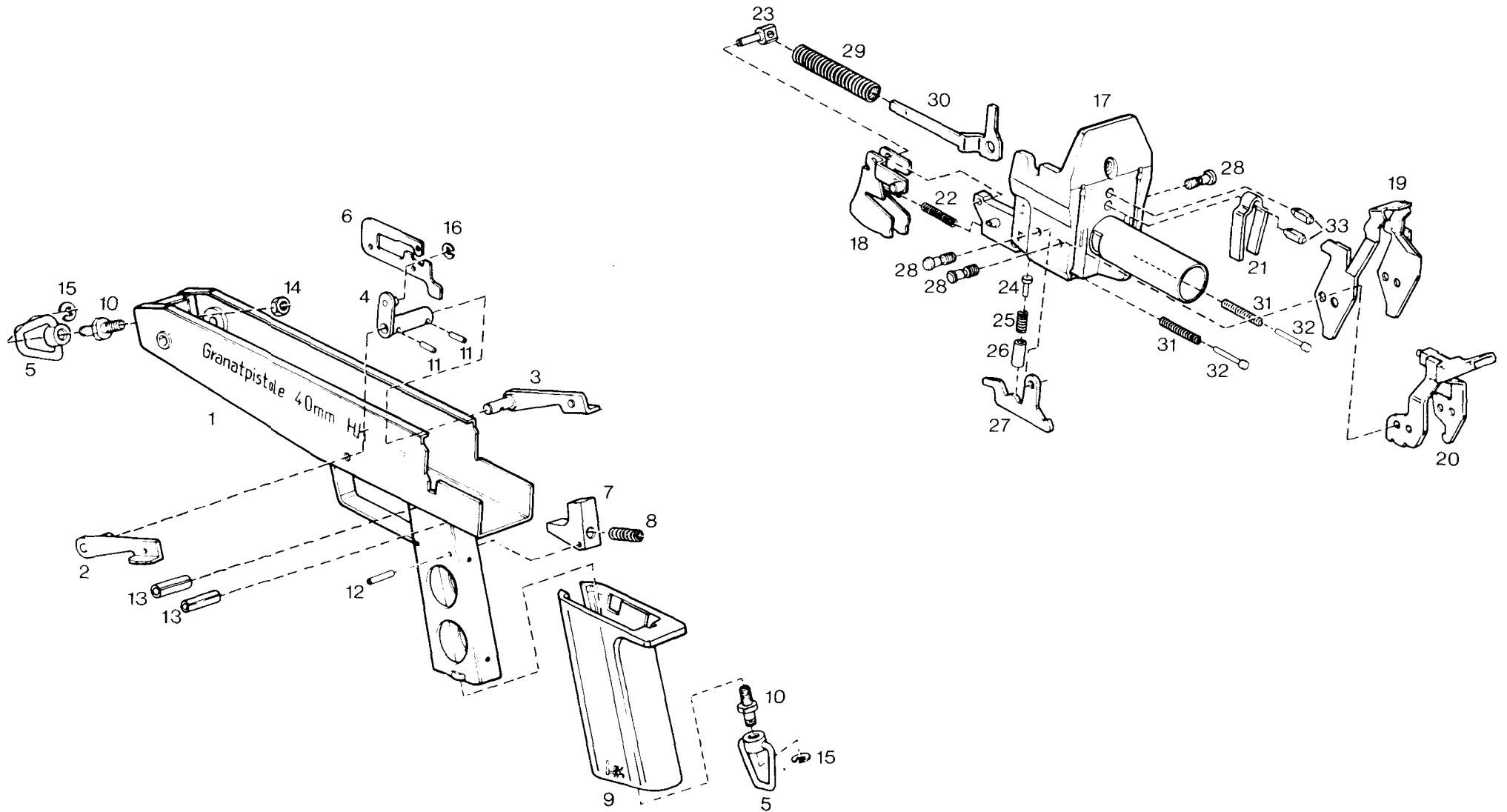


Pos.	Teile-Benennung	Teile-Nr.	Ident-Nr.			Bemerkungen
1	2	3	4	5	6	7
1	Receiver, welded	1000096-12	204 529			
2	Safety lever, left	1000096-16	204 538			
3	Safety lever, right	1000096-17	204 542			
4	Safety axle	1000096-18	204 580			
5	Clip with bush, compl. (2x)	1000096-28	204 573			
6	Positioning rest	1000096-10.01	204 524			
7	Automatic safety catch	1000096-10.03	204 525			
8	Safety catch spring	1000096-10.04	204 526			
9	Pistol stock	1000096-10.06	204 527			
10	Axle (2x)	1000096-10.08	204 528			
11	Clamping sleeve (2x)	DIN 1481 - 2.5 x 8	926 066			
12	Cylindrical pin	DIN 7 - 3h8 x 18	928 427			
13	Clamping sleeve (2x)	DIN 7344 - 6 x 20	927 605			
14	Hexagonal nut	DIN 934 - M5	928 428			
15	Locking washer (2x)	DIN 6799 - 4	929 299			
16	Locking washer	DIN 6799 - 2.3	922 728			

40 MM GRENADE LAUNCHER

RECEIVER, COMPLETE

FIG. 3

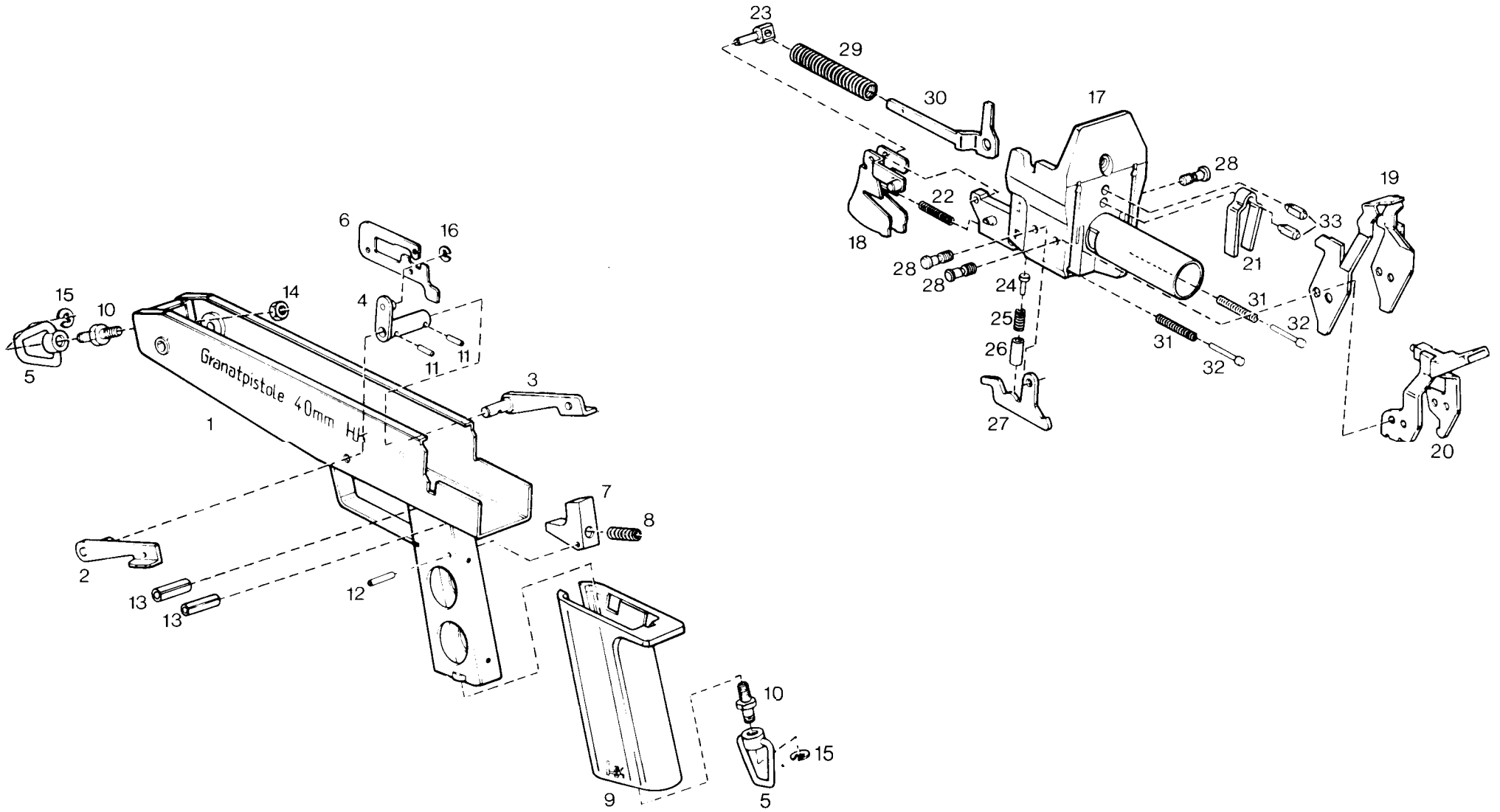


Pos.	Teile-Benennung	Teile-Nr.	Ident-Nr.			Bemerkungen
1	2	3	4	5	6	7
	<u>Barrel locking housing, compl.</u> consisting of: item 17 - 33	1000096-20	204 544			
17	Barrel locking housing, welded	1000096-21	204 557			
18	Trigger	1000096-24	204 564			
19	Locking lever	1000096-25	222 233			
20	Striking lever	1000096-26	204 568			
21	Spring clip	1000096-20.01	204 545			
22	Trigger return spring	1000096-20.03	204 546			
23	Trigger axle	1000096-20.04	204 547			
24	Guide pin	1000096-20.05	204 581			
25	Compression spring	1000096-20.06	204 548			
26	Guide bush	1000096-20.07	204 549			
27	Sear arm	1000096-20.08	204 550			
28	Bearing pin (3x)	1000096-20.09	204 551			
29	Cocking spring	1000096-20.11	204 552			
30	Cocking spring rod	1000096-20.12	204 553			

40 MM GRENADE LAUNCHER

RECEIVER, COMPLETE

FIG. 3

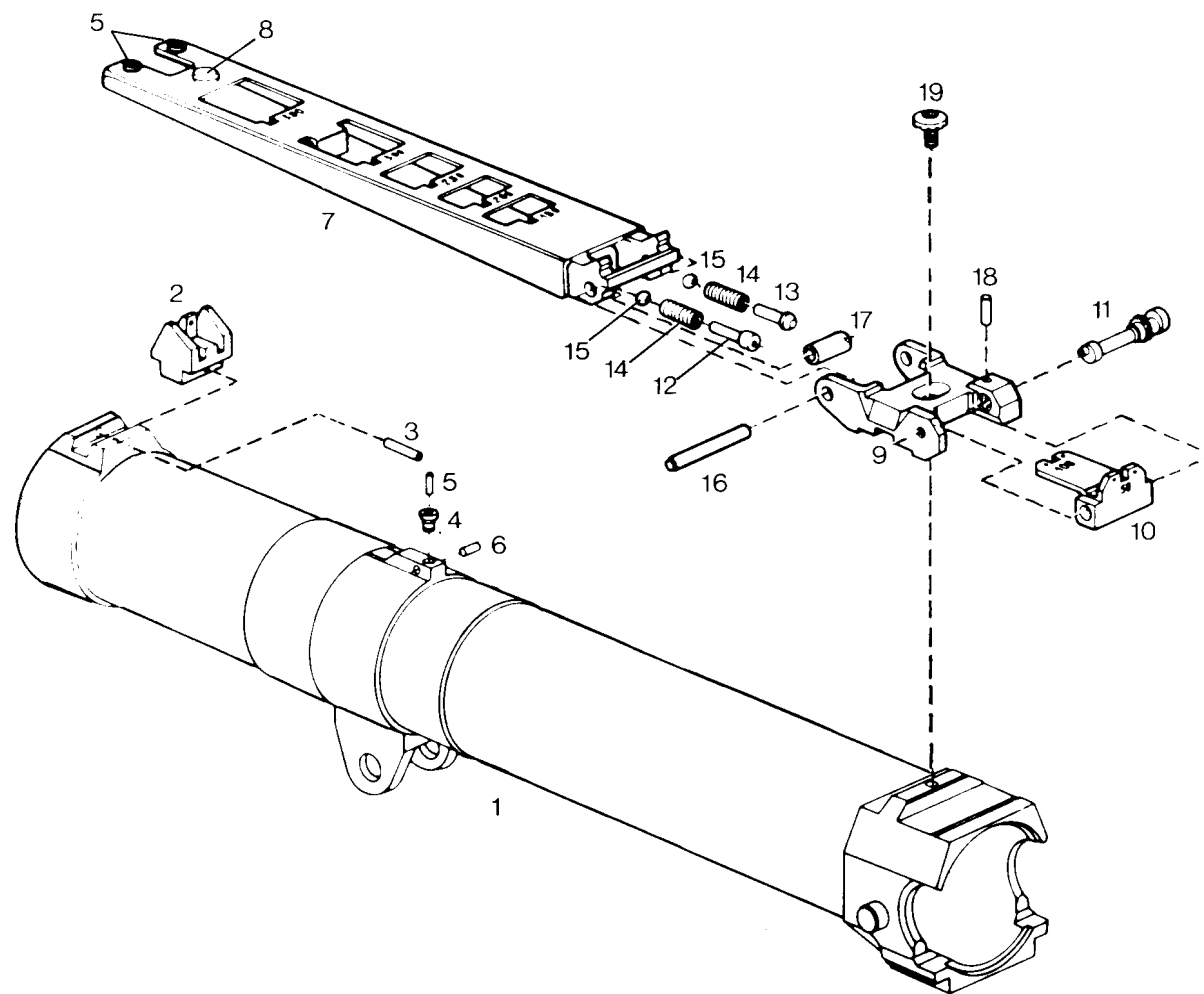


Pos.	Teile-Benennung	Teile-Nr.	Ident-Nr.			Bemerkungen
1	2	3	4	5	6	7
31	Locking lever compression spring (2x)	1000096-20.14	204 554			
32	Guide pin (2x)	1000096-20.15	204 555			
33	Clamping sleeve (2x)	DIN 7343 - 5 x 12	928 419			

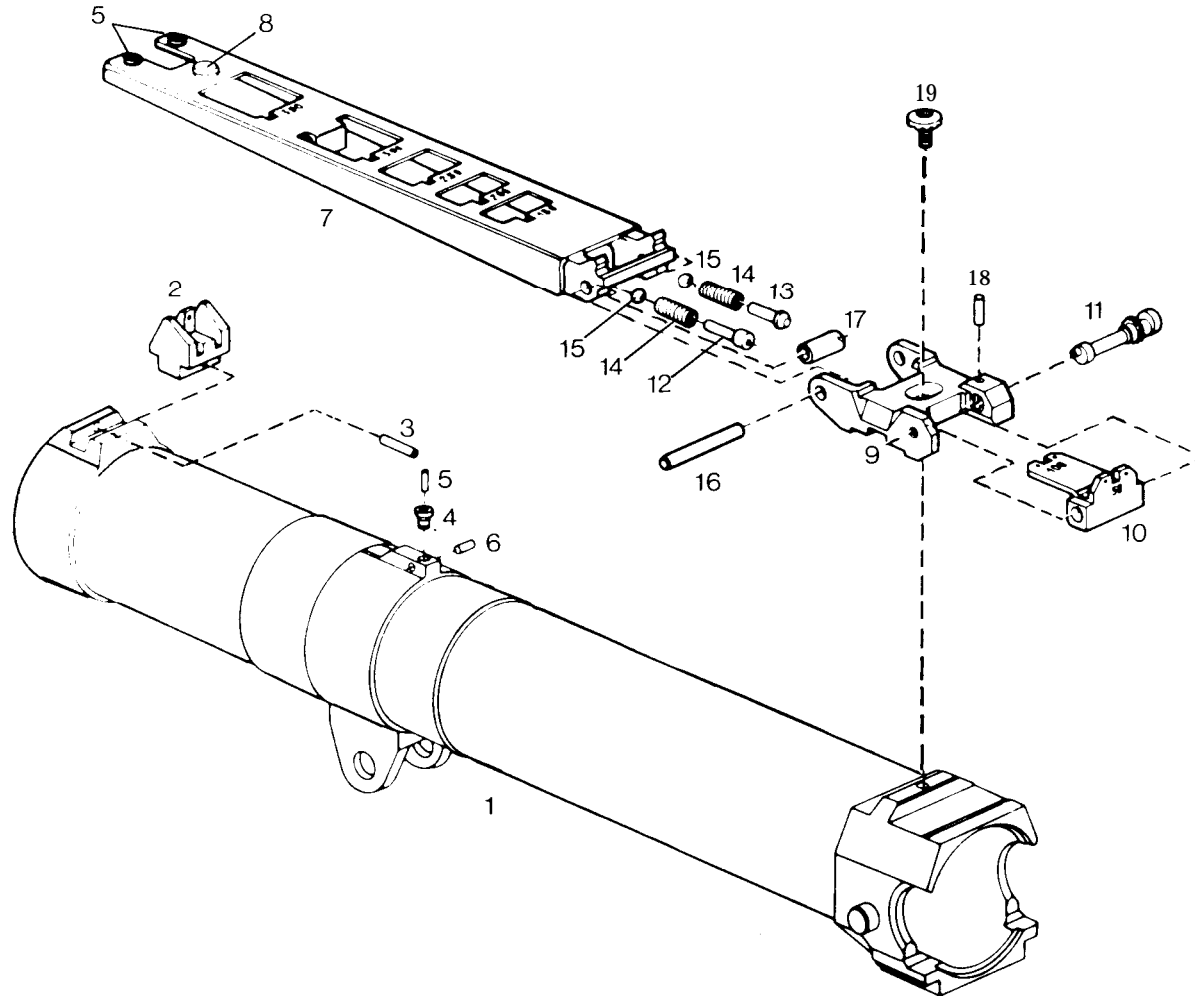
40 MM GRENADE LAUNCHER

BARREL, COMPLETE

FIG. 4



Pos.	Teile-Benennung	Teile-Nr.	Ident-Nr.			Bemerkungen
1	2	3	4	5	6	7
1	Barrel	1000096-30.03	222 230			
2	Front sight	93020-30.01	222 937			
3	Clamping sleeve	DIN 7344 - 2.5 x 16	928 421			
	<u>Bushing, compl.</u>	1000096-38	204 602			
	consisting of: item 4 t 5					
4	Bushing	1000096-38.01	204 603			
5	Plastic plug (3x)	9224-22.03	221 900			
6	Clamping sleeve	DIN 1481 - 2 x 5	925 000			
	<u>Sight, compl.</u>	1000096-34	204 587			
	consisting of: item 7 - 18					
	<u>Ladder sight, compl.</u>	1000096-35	204 596			
	consisting of: item 5 (2x), 7 t 8					
7	Ladder sight	1000096-35.01	204 597			
8	Buffer	1000096-35.07	204 601			
9	Rear sight support	1000096-34.01	204 588			
10	Folding leaf sight	1000096-34.03	204 590			



Pos.	Teile-Benennung	Teile-Nr.	Ident-Nr.			Bemerkungen
1	2	3	4	5	6	7
11	Eccentric shaft	1000096-34.05	204 591			
12	Guide bolt	1000096-34.07	204 592			
13	Arresting bolt	1000096-34.08	204 593			
14	Compression spring (2x)	1000096-34.10	204 594			
15	Ball (2x)	DIN 5401 - 5 mm III	910 627			
16	Axle	1000096-34.12	204 595			
17	Clamping sleeve	DIN 7346 - 5 x 14	928 430			
18	Clamping sleeve	DIN 7344 - 2 x 10	928 077			
19	Clamping screw	1013-101.029	200 372			