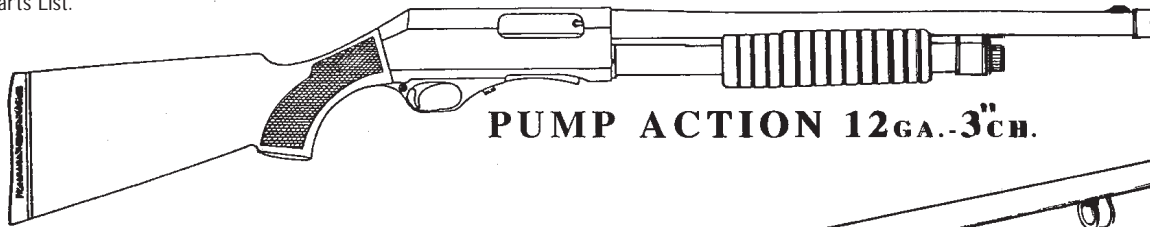


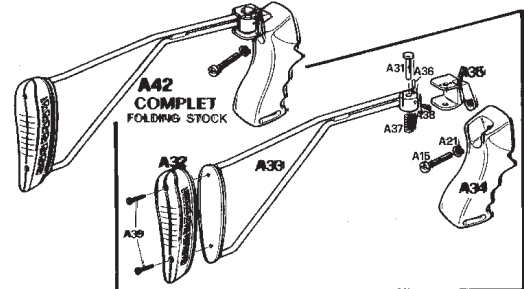
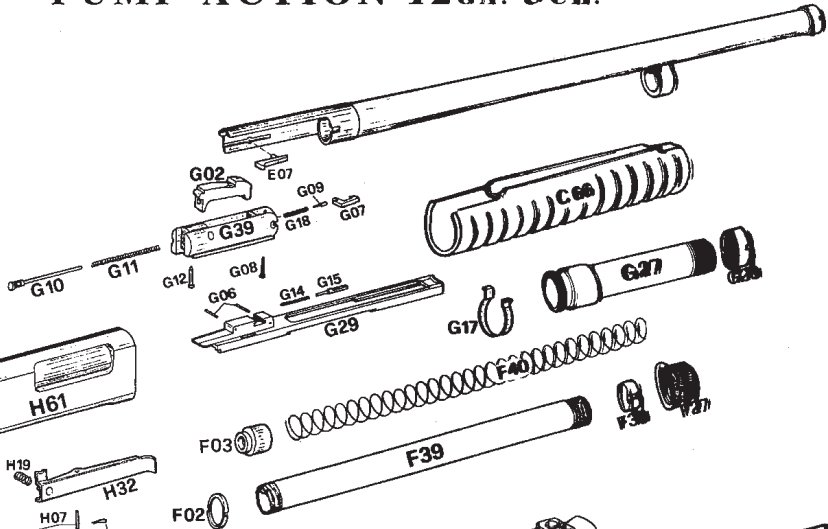
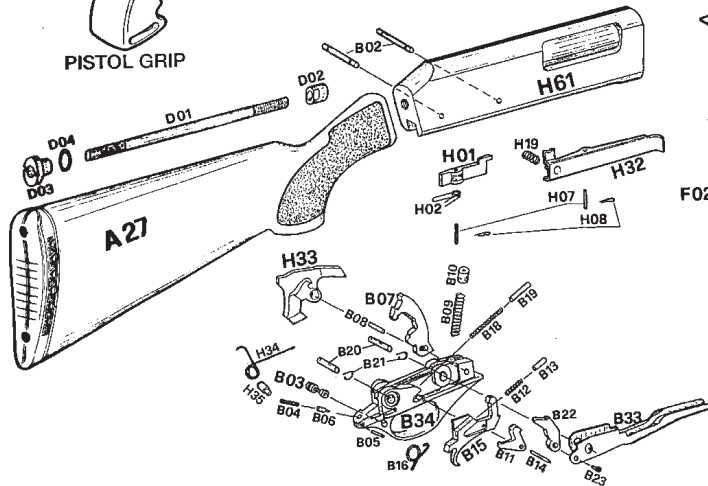
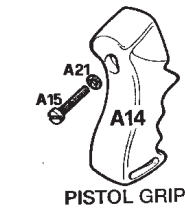


FABARM

NOTE: All part numbers ordered from Heckler & Koch, Inc. have a "00" suffix.
For instance, part number A27 in the chart below would be part number A2700 in the HK Parts List.



PUMP ACTION 12GA. 3"CH.



Fabarm Part #	HK Part #	Description
A14	A1400	Pump pistol grip
A15	A1500	Connecting rod for pump pistol grip
A21	A2100	Bolt cap pistol grip
A23	A2300	Left stock with rubber recoil pad
A27	A2700	Plastic stock for pump
A31	A3100	pivot pin for folding stock
A32	A3200	Recoil pad for folding stock
A33	A3300	Frame for folding stock
A34	A3400	Pistol grip for folding stock
A35	A3500	Frame bracket for folding stock
A36	A3600	Positioning pin for folding stock
A37	A3700	Folding stock spring
A38	A3800	Pivot pin antiscrewing screw
A39	A3900	Folding stock RR pad screw
A42	A4200	Folding stock complete
A64	A6400	Wooden stock, pump
A98	A9800	Stock swivel
B02	B0200	Trigger guard retaining pin
B03	B0300	Hand safety button
B04	B0400	Hand safety spring
B05	B0500	Hand safety spring pin
B06	B0600	Hand safety spring plunger
B07	B0700	Hammer
B08	B0800	Hammer pin
B09	B0900	Hammer spring
B10	B1000	Hammer spring follower

Fabarm Part #	HK Part #	Description
B11	B1100	Sear
B12	B1200	Sear spring
B13	B1300	Sear spring follower
B14	B1400	Trigger and sear pin
B15	B1500	Trigger
B16	B1600	Trigger spring
B18	B1800	Carrier spring
B19	B1900	Carrier spring guide
B20	B2000	Trigger guard pin bushing
B21	B2100	Trigger guard pin spring
B22	B2200	Carrier dog
B23	B2300	Carrier dog pin
B33	B3300	Carrier
D01	D0100	Stock connecting rod
D02	D0200	Stock bolt cap
D03	D0300	Stock retaining screw
D04	D0400	stock washer
E07	E0700	Ejector
E60	E6000	Barrel for 6 shot magazine tube
F02	F0200	Magazine tube washer
F03	F0300	Magazine follower
F27	F2700	Forend cap
F38	F3800	Magazine spring retaining ring
F64	F6400	Magazine spring
F69	F6900	Magazine tube
G02	G0200	Locking bolt

Fabarm Part #	HK Part #	Description
G06	G0600	Cocking handle plunger pin
G07	G0700	Extractor
G08	G0800	Extractor retaining pin
G09	G0900	Extractor plunger
G10	G1000	Firing pin
G11	G1100	Firing pin spring
G12	G1200	Firing pin stop
G14	G1400	Bolt slide spring
G15	G1500	Bolt slide spring guide
G17	G1700	Sleeve snap spring
G18	G1800	Extractor spring
G27	G2700	Action bar sleeve
G28	G2800	Forend retaining washer
G29	G2900	Action bar
G39	G3900	Breech bolt for pump
H01	H0100	Magazine shell latch
H02	H0200	Magazine shell latch spring
H05	H0500	Carrier latch spring
H07	H0700	Latch pin
H08	H0800	Latch pin spring
H32	H3200	Cartridge retaining latch
H33	H3300	Slide unhooking lever
H34	H3400	Slide unhooking lever spring
H35	H3500	Slide unhooking lever pin
H61	H6100	Receiver for pump