

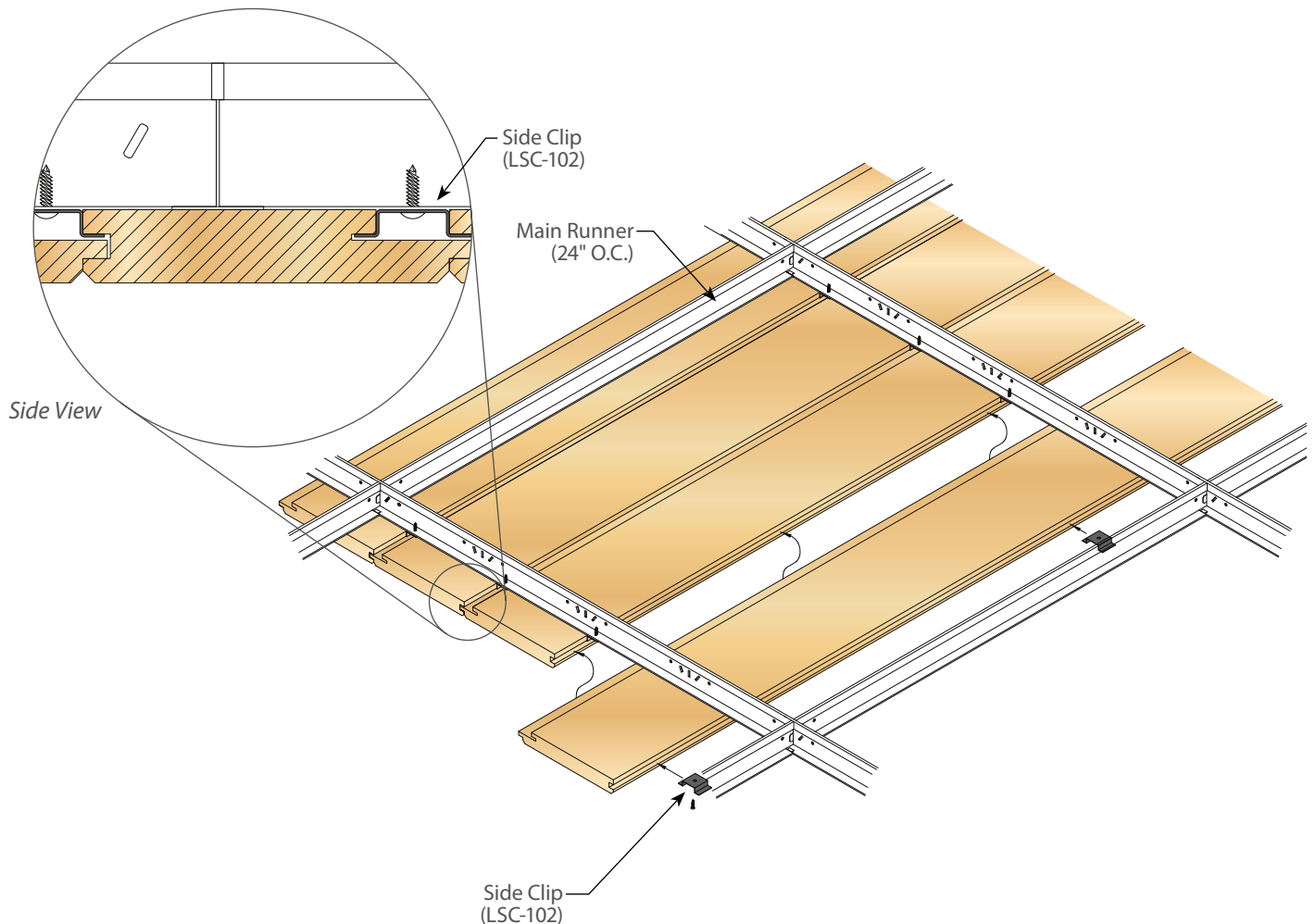


## Closed Series 1



ACGI Linear Systems feature two basic series: Linear Open (LO) and Linear Closed (LC). Both systems are available in solid wood or wood veneer depending on plank size and design requirements. Typical veneer lengths are 8' and 10' with some reaching 12'. Solid wood lengths depend on species and lumber grade.

*Linear Closed Series 1 [LC1]* is designed with a tongue-and-groove edge for a continuous plank ceiling or wall. Custom reveal profiles are available in addition to our four standard options. LC1 planks are typically made with solid wood. Veneered material can also be used but the core material may be visible depending on the joint reveal profile. Standard LC1 planks are  $\frac{3}{4}$ " thick (other thicknesses available upon request). Maximum plank width will vary based on wood species. LC1 planks install using concealed clips (LSC-101). Ceiling applications suspend from  $\frac{15}{16}$ " HD T-grid. Wall applications attach using sheathing or furring strips.



### Linear Closed Series 1 — Specification Information

Product No.	Suspension	Reveal	Solid Wood Width	Veneer Width*	Typical Thickness
LC1-####-C	Side Clip	Closed	Up to 5¼"	Up to 6"	¾"

\*With veneered planks, substrate material will be visible with profiles A, B, and C. Please discuss available options with your local ACGI Sales Representative before specifying.

### How To Spec It...

Series — Thickness ●  
**LC1-375-C**  
 Width

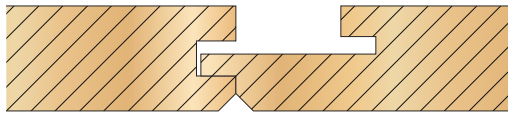
What It Means... Linear Closed Series 1 plank 3¾" wide and ¾" thick.

### Thickness Reference

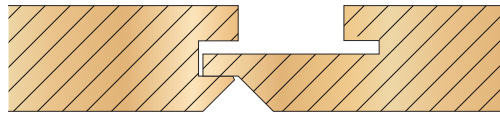
A	½"
B	⅝"
● C	¾"
D	⅞"
E	1"
F	1⅛"
G	1¼"
H	1⅜"
I	1½"
J	1⅝"
K	1¾"
L	1⅞"
M	2"
N	2⅛"
O	2¼"
P	2⅜"

### Standard Reveal Profiles

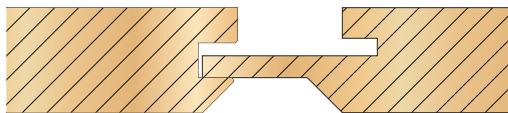
Reveal A



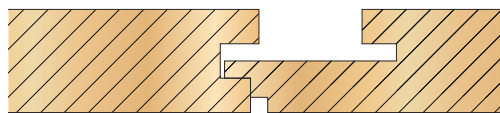
Reveal B



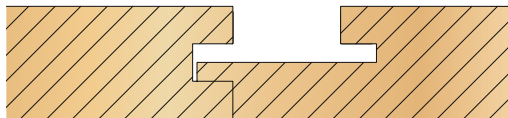
Reveal C



Reveal D



Reveal E



### ACOUSTICS

The Linear Closed System diffuses soundwaves with the reveal manufactured into the planks.

### LEED® CREDIT

MR 4.1, MR 4.2, MR 7, EQ 4.4

### SPECIES + STAINS

For this product ACGI can source any commercially available solid wood, veneer or thermally-fused laminate and apply any standard, color-matched or custom finish. Contact us for details.

### FIRE RATING

Solid wood finishes and both veneer finishes and cores can be provided with a Class A fire rating [ASTM-E84].

### DELIVERY, STORAGE & HANDLING

Material must be stored and installed only in secured ambient environment (humidity range 25%–55%, temperature not to exceed 86°F). All windows, doors and wet-work must be complete before installation. Handle carefully to avoid damaging.

### WARRANTY

All materials supplied by ACGI are guaranteed against manufacturing defects for one year. Wood stains and colorings can vary over time due to job site conditions and are therefore excluded from this warranty. The contractor shall warrant for one year all work from final acceptance of completed work.



© 2013 Architectural Components Group, Inc. All Rights Reserved. Information provided is accurate at time of printing. ACGI reserves the right to modify any materials without further notification. All product applications are suggestion only. Always conform with local building codes and safety conditions. ACGI does not accept responsibility for the misuse or improper installation of products. Visit [ACGIwood.com](http://ACGIwood.com) for more details. Printed in U.S.A.