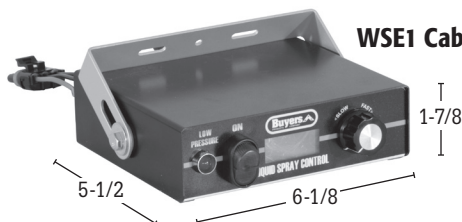


Liquid Spray Systems



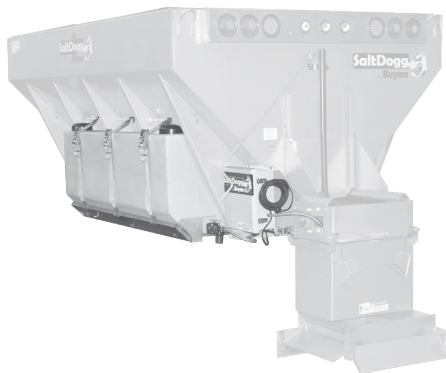
WSE1 Cab Controller



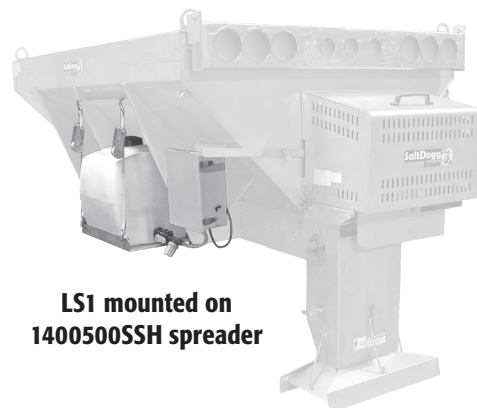
LS6 mounted on SHPE2000 spreader



LS4T mounted



LS4 mounted on 145075SSH spreader



LS1 mounted on 1400500SSH spreader

Liquid Spray System applies chemical agents (salt brine, calcium or magnesium chloride, glycol, etc.) to salt, sand or other material as it is being dispersed onto a road surface.

- Provides more efficient salt distribution
- Speeds the melting process
- Works at lower temperatures than salt
- Residual material on the pavement lasts longer
- Reduces the number of applications required
- Helps granular material adhere to pavement better
- 12-volt, 3 GPM/45 PSI electric diaphragm pump
- **NEW** *Hydraulic Drive: 4.5 GPM @ 1,750 RPM (150 PSI) with Proportioning Valve, Bronze pump, bronze gears, stainless steel shaft
- 30-gallon polymer reservoir (48"L x 13"W x 14"T)

- 55-gallon polymer reservoir (34"L x 23"W x 26"T)
- 105-gallon polymer reservoir (69"L x 20"W x 25"T)
- Low Pressure – empty tank light/buzzer indicator
- In-cab variable speed pump control (electric versions)
- Include complete systems tank, pump, cab controller, hoses, fittings, ball valve, filter, wiring, connectors, brackets and tie-downs
- Universal design for any spreader (check tank dimensions and side gussets for clearance)
- Enclosed system for corrosion resistance
- Easy to use and maintain

* Truck Application is only a reference. The Gross Vehicle Weight (GVW) of the truck and calculated payload must be evaluated for each application.

LIQUID SPRAY SYSTEMS

PART NO.	DESCRIPTION	WT.
LS1	12-Volt Liquid Spray System, Cab Control, 55 Gal. Poly Reservoir	148 lbs.
LS2	12-Volt Liquid Spray System, Cab Control, Reservoir Excluded	48 lbs.
LS3	12-Volt Liquid Spray System, Cab Control, Two 55 Gal. Poly Reservoirs	248 lbs.
LS4	12-Volt Liquid Spray System, Cab Control, 105 Gal. Poly Reservoir	319 lbs.
*NEW LS4H	Hydraulic Liquid Spray System, Cab Control, 105 Gal. Poly Reservoir	351 lbs. SEPT.
*NEW LS4T	12-Volt Liquid Spray System, Tailgate Mount, Cab Control, 105 Gal. Poly Reservoir	325 lbs.
*NEW LS4TH	Hydraulic Liquid Spray System, Tailgate Mount, Cab Control, 105 Gal. Poly Reservoir	357 lbs. SEPT.
LS5	12-Volt Liquid Spray System, Cab Control, Two 105 Gal. Poly Reservoirs	348 lbs.
*NEW LS5H	Hydraulic Liquid Spray System, Cab Control, Two 105 Gal. Poly Reservoirs	380 lbs. SEPT.
LS6	12-Volt Liquid Spray System, Cab Control, 30 Gal. Poly Reservoir (fits SHPE 1500/2000)	116 lbs.
LS7	12-Volt Liquid Spray System, Cab Control, 30 Gal. Poly Reservoir (fits SCH)	85 lbs.
NEW LS8	12-Volt Liquid Spray System, Cab Control, Two 30 Gal. Poly Reservoir (fits SCH)	197 lbs.

UNIVERSAL LIQUID SPRAY/PREWET REPLACEMENT PARTS

PART NO.	DESCRIPTION	WT.
WSE1	Spray System Controller	5 lbs.
WSE3	12V Electric Diaphragm Pump, 3 GPM, 45 PSI	5 lbs.
WSE4	Pressure Switch, 1/4" NPT	0.5 lbs.
WSE10	Ball Valve, 1/2" NPT	0.8 lbs.
WSE11	Filter, 3/4" NPT, 6 GPM, 300 Micron Screen	0.2 lbs.