

## 7, 8, & 9 Cubic Yard Municipal Hopper Spreaders

\*Designed for municipalities and contractors with a minimum 26,000 lbs. GVW chassis.

### GENERAL:

- Self-contained hopper.
- Spreads free flowing materials sand and/or salt.
- Spread width of 4' to 40'.

### MATERIAL HOPPER:

- 7-gauge 304 stainless steel cross members.
- 10-gauge 304 stainless steel, long sills with rear enclosure & integral chain shields.
- 10-gauge 304 stainless steel replaceable floor.
- 10-gauge 304 stainless steel sides (continuously welded seams), gussets and rear panel.
- 10-gauge 304 stainless steel front panel.
- Four (4) 5/8" thick lift points.

### FEEDGATE:

- 10-gauge, 304 stainless steel with scaled driver side screw jack adjustment.
- 18-5/8" wide x 10" tall opening.

### CONVEYOR:

- 24" wide pintle chain conveyor with 3/8" thick x 1½" wide crossbars on 4½" centers (667X Pitch), 21,000 PSI/Strand.
- 2" diameter drive shaft with 4-bolt relubeable bearing.
- 8-tooth cast iron sprockets.
- 50:1 or 25:1 direct-drive gearbox with extended through-shaft for ground speed sensor.
- 1½" diameter idler shaft with 4" adjustable range relubeable bearing.
- Conveyor chain wiper made of belted rubber minimizes waste.

### STANDARD INSTALLED EQUIPMENT:

- 4-section hinged top grate screens. 3/8" diameter bar on 3" centers with ¼" x 2" x 2" angle iron frame.
- Hinged to 6" horizontal crossbeam.
- 10-gauge, 304 stainless steel inverted "V" prevents material compaction and reduces wear on drive train components.

### CHUTE/SPINNER ASSEMBLY:

- 10-gauge, 304 stainless steel laser cut parts with smooth radius corners.
- 4 telescopic adjustments in 3" increments to accommodate varying body mounting heights. 25.7" to 38.5" min/max adjustment below longsills.
- Two (2) adjustable, internal baffles direct material to 20" diameter x 5/8" thick, 6-fin poly spinner disc.
- Three (3) adjustable external and one (1) fixed deflector with overlapping corners provide a precision spread pattern.
- Top-mounted, direct-drive hydraulic spinner motor provides exceptional spread pattern.
- Two (2) stainless steel spring latches quick release hinged chute for bulk material unloading and convenient ground storage.

### POWER SOURCE:

- Hydraulic Drive: Two independent direct drive hydraulic motors (17 GPM @ 1,500 PSI). 15 gpm conveyor. 12 gpm spinner.

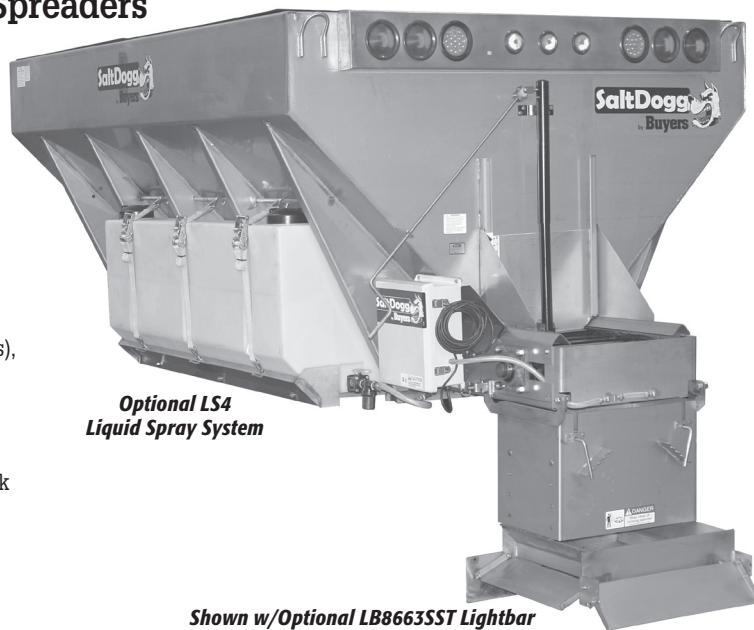
### OPTIONAL EQUIPMENT:

- Dump Body Tailgate Latch Kit.
- DOT Spreader Lightbar. 8" Tall x 66" Long x 3" Deep stainless steel lightbar includes 9 mounting holes for 4" recessed stop turn-taillights-strobes and 2-1/2" marker lights.
- Light bar kit includes: Wire Harness, (2) LED STT lights, (2) LED Backup lights, (2) LED Strobe lights, (3) LED Marker lights, (2) LED Load Equalizers and Lightbar.

### DIMENSIONS:

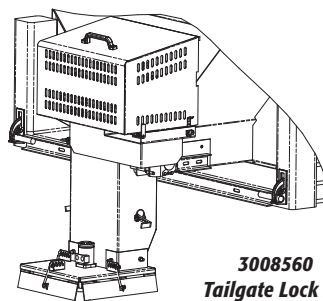
- Hopper length, 120"; Overall length, 143"; Width, 82"; Recommended use, dump bodies and flat beds with a minimum 26,000 lbs. to 38,000 lbs. GVW chassis.

\* Truck Application is only a reference. The Gross Vehicle Weight (GVW) of the truck and calculated payload must be evaluated for each application.

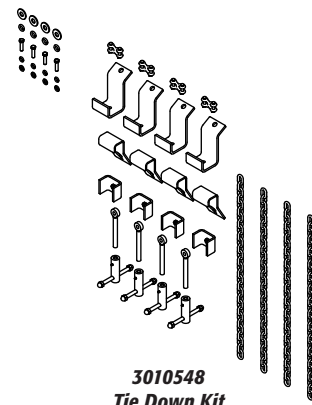


Optional LS4 Liquid Spray System

Shown w/Optional LB8663SST Lightbar & LS4 Liquid Spray System



3008560 Tailgate Lock Kit



3010548 Tie Down Kit

### SPREADERS

PART NO.	DESCRIPTION	WT.
1450757SSH	7.0 cu. yd. Hyd. Dr. SS Hopper Spreader Kit (50:1 ratio gearbox) Height 57"	2,310 lbs.
1425757SSH	7.0 cu. yd. Hyd. Dr. SS Hopper Spreader Kit (25:1 ratio gearbox) Height 57"	2,310 lbs.
1450863SSH	8.3 cu. yd. Hyd. Dr. SS Hopper Spreader Kit (50:1 ratio gearbox) Height 63"	2,457 lbs.
1425863SSH	8.3 cu. yd. Hyd. Dr. SS Hopper Spreader Kit (25:1 ratio gearbox) Height 63"	2,457 lbs.
1450969SSH	9.6 cu. yd. Hyd. Dr. SS Hopper Spreader Kit (50:1 ratio gearbox) Height 69"	2,550 lbs.
1425969SSH	9.6 cu. yd. Hyd. Dr. SS Hopper Spreader Kit (25:1 ratio gearbox) Height 69"	2,550 lbs.

### ACCESSORIES

PART NO.	DESCRIPTION	WT.
3008560	Hopper Spreader Tailgate Lock Kit	40 lbs.
3010548	Tie Down Kit	79 lbs.
LB8663SST	Stainless Steel Spreader Lightbar	28 lbs.
5609000	7 & 9 Light Wire Harness, 12 ft. Lead, Universal	3 lbs.
8891166	LED Light Bar Kit (9 Light)	37.5 lbs.

Liquid spray systems see p55.