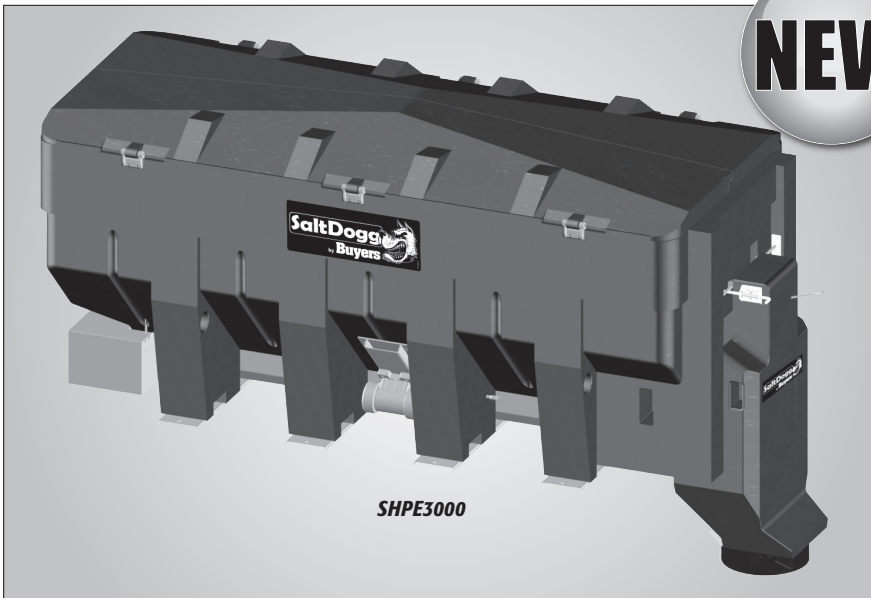
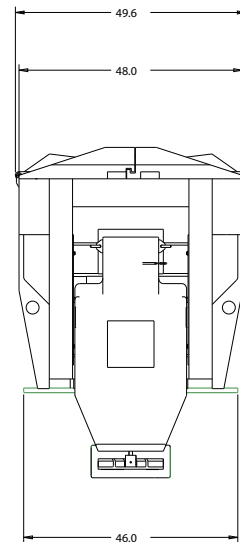
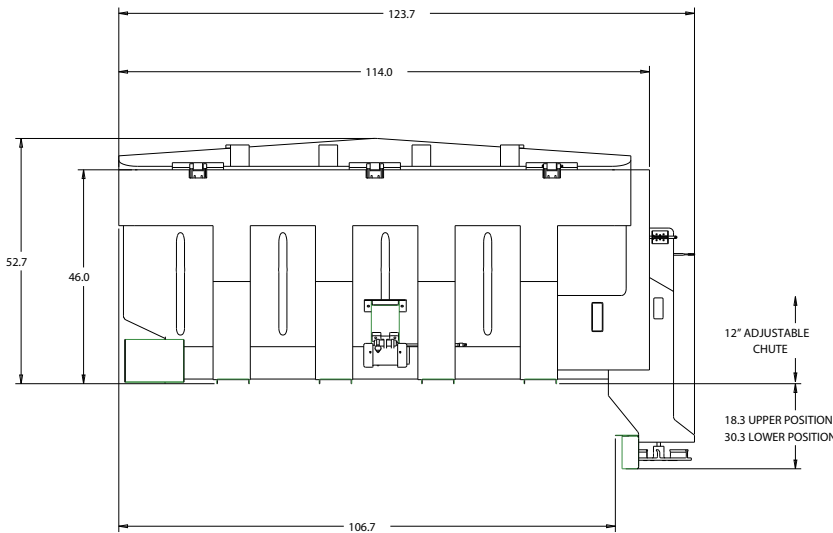


**NEW**



SHPE3000

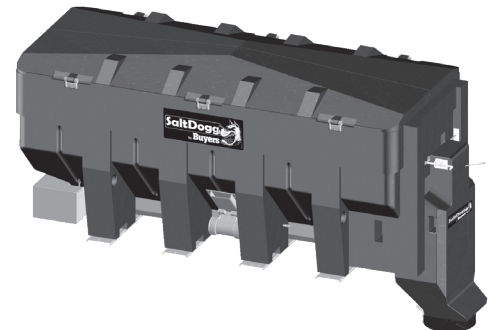


## SHPE3000, 3 Cubic Yard Capacity- Available in October

The SHPE series SaltDog® spreaders are completely self-contained, ultra-durable spreader units designed for ice and snow control. The rugged design allows for use with salt or salt/sand mix. The complete assembly mounts easily on pickups, dump, platform and utility trucks, making it ideal for municipalities, shopping malls, industries, hospitals and private contractors.

### Poly Models

- 100% rotationally molded, double-wall polymer hoppers.
- Two ultra-quiet, 12 VDC, direct-drive gear motors independently power the spinner and auger.
- Independently powered vibrator
- Standard items: Black powder coated steel top screen, spreader tie-down kit and hinged, poly deflector lids



PART NO.	DESCRIPTION	WT.	SHIPPING	*APPLICATION
<b>NEW</b> SHPE3000	Poly Spreader	945 lbs.		trucks with minimum 13,000 lbs. GVW and above

\*Truck Application is only a reference. The Gross Vehicle Weight (GVW) of the truck and calculated payload must be evaluated for each application.