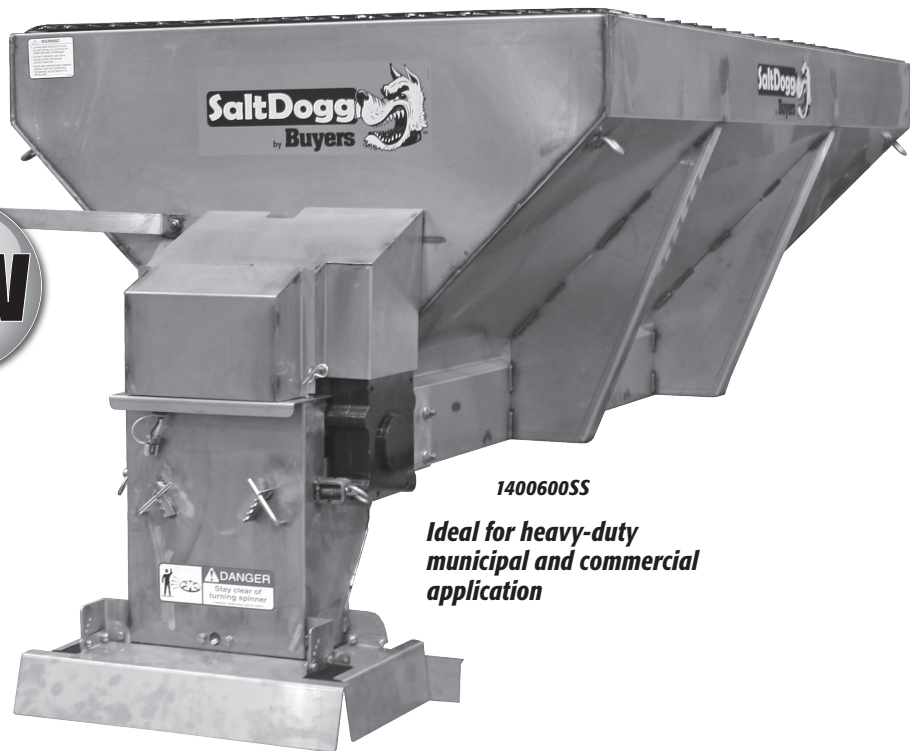


# Electric Drive Hopper Salt & Sand Spreaders

- ✓ **Electric Drive**
- ✓ **Exceptional Flow of Material**
- ✓ **Ease of Installation**
- ✓ **Virtually Maintenance-Free**



**NEW**



1400600SS

*Ideal for heavy-duty municipal and commercial application*

## Electric Drive Hopper Spreaders

*The SaltDog offers an exceptional flow of materials, ease of installation and is virtually maintenance-free.*

### Stainless Steel Model

- Electrically welded, high quality grade 304 stainless steel hopper.
- Two ultra-quiet, 12 VDC, direct-drive gear motors independently power the spinner and conveyor.
- Standard items: Black powder coated steel top screen and spreader tie-down kit.

### Electric Drive Hopper Spreader

	PART NO.	CHUTE	HOPPER MATERIAL	CONVEYOR/AUGER	SPINNER	CAPACITY CUBIC YARDS	OVERALL LENGTH	WIDTH	HEIGHT	SHIPPING WEIGHT	*APPLICATION
	1400600SS	Standard	SS	12" Conveyor	11.5" Poly	2.10	113"	47"	32.5"	985 lbs.	3/4-Ton or 1-Ton Trucks
Avail. 12-1-10	1400601SS	Adjustable Height	SS	12" Conveyor	11.5" Poly	2.10	113"	47"	32.5"	1000 lbs.	3/4-Ton or 1-Ton Trucks <b>NEW</b>
	1400700SS	Standard	SS	12" Conveyor	11.5" Poly	1.3	89"	47"	32.5"	672 lbs.	3/4-Ton or 1-Ton Trucks <b>NEW</b>
Avail. 12-1-10	1400701SS	Adjustable Height	SS	12" Conveyor	11.5" Poly	1.3	89"	47"	32.5"	687 lbs.	3/4-Ton or 1-Ton Trucks <b>NEW</b>

*\* Truck Application is only a reference. The Gross Vehicle Weight (GVW) of the truck and calculated payload must be evaluated for each application.*