

ENERVEX® BBM BALANCING BAFFLE

3902002 04.18

Product Information

Use

The BBM Balancing Baffle is a fixed position damper used to properly balance the draft in a boiler connector. It is for installation with gas-fired or oil-fired equipment only.

Description

The ENERVEX BBM Balancing Baffle is a single blade, single position stainless steel baffle with hand quadrant.

The BBM is available in standard stack diameters ranging from 6 to 36 inches.

Once the vent system has been properly balanced, the baffle is permanently fixed into position and will retard the flow of flue gases as needed.

The BBM Balancing Baffle is manufactured with slip connections to connect to chimneys w/o flange connections. The BBM is rated for temperatures up to 1400°F (760°C).

The BBM should be installed with sufficient clearance above the boiler outlet to allow for damper protrusion into the stack when fully open.

Material

The frame and blade are made of 20 GA 316L stainless steel. The shaft is 1/2" (13mm) round 316L stainless steel. The hand quadrant position is to be locked with a nylock nut. Bearings are stainless steel.

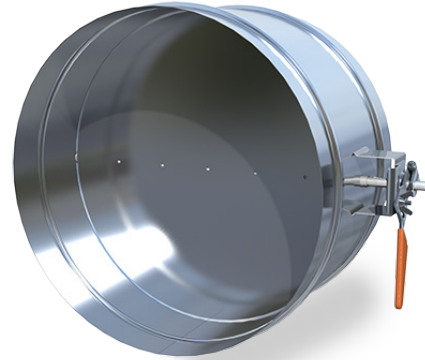
Listings

The BBM is UL listed in the US and certified for Canada under Underwriters Laboratories Inc. file no. MH61094:

- UL 378 Standard for Draft Equipment
- ULC.ORD-C378 Draft Equipment

Warranty

2-Year Factory Warranty. Complete warranty conditions are available from ENERVEX, Inc.



ENERVEX Inc.
1685 Bluegrass Lakes Parkway
Alpharetta, GA 30004
USA

P: 770.587.3238
F: 770.587.4731
T: 800.255.2923
info@enervex.com
www.enervex.com

ENERVEX® 
VENTING DESIGN SOLUTIONS

ENERVEX® BBM BALANCING BAFFLE

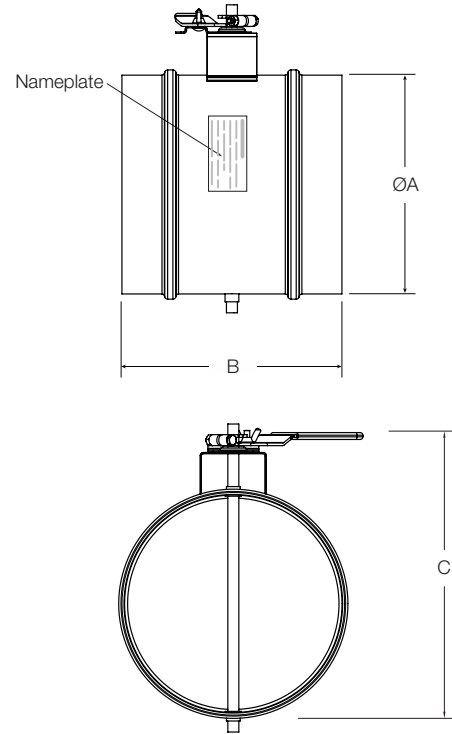
3902002 04.18

Product Information

Specifications

Model	Stack ID (in)	Dia. A in / mm	Dim. B in / mm	Dim. C in / mm
BBM 6	6	5.85 / 146	8.0 / 203	8.85 / 225
BBM 8	8	7.85 / 197	8.0 / 203	10.85 / 276
BBM 10	10	9.85 / 248	10.0 / 254	12.85 / 326
BBM 12	12	11.85 / 298	10.0 / 254	14.85 / 377
BBM 14	14	13.85 / 349	10.0 / 254	16.85 / 428
BBM 16	16	15.85 / 400	10.0 / 254	18.85 / 479
BBM 18	18	17.85 / 451	12.0 / 305	20.85 / 530
BBM 20	20	19.85 / 502	12.0 / 305	22.85 / 580
BBM 22	22	21.85 / 552	14.0 / 356	24.85 / 631
BBM 24	24	23.85 / 603	14.0 / 356	26.85 / 682
BBM 26	26	25.85 / 654	16.0 / 406	28.85 / 733
BBM 28	28	27.85 / 705	16.0 / 406	30.85 / 784
BBM 30	30	29.85 / 756	16.0 / 406	32.85 / 834
BBM 32	32	31.85 / 806	16.0 / 406	34.85 / 885
BBM 34	34	33.85 / 857	18.0 / 457	36.85 / 936
BBM 36	36	35.85 / 908	18.0 / 457	38.85 / 987

Other sizes available upon request.



Specifications are subject to change without notice.

ENERVEX Inc.
1685 Bluegrass Lakes Parkway
Alpharetta, GA 30004
USA

P: 770.587.3238
F: 770.587.4731
T: 800.255.2923
info@enervex.com
www.enervex.com

ENERVEX®
VENTING DESIGN SOLUTIONS