

ENERVEX® RSV 009-016 CHIMNEY FAN

3912020 04.17

Product Information

Use

The RSV exhaust fan is a mechanical draft fan intended for use as part of a chimney, stack or vent system. The fan ensures a negative pressure in the entire chimney or stack system.

Description

The fan is installed at the chimney termination point, and can be mounted vertically or side-wall vented. Discharge is vertical (horizontal if side-wall vented) at a high velocity.

The fan housing is hinged and the top can be opened for easy service and access to stack.

The fan ensures a negative pressure in the entire chimney or stack system. The RSV exhaust fan is for use with gas, LP gas and oil fired heating appliances and is a component of the CASV Chimney Automation System.

It is approved for use in systems where flue gas temperatures do not exceed 625°F (329°C) for intermittent operation and 575°F (302°C) for continuous operation.

Material

Housing is made of 3/16" cast aluminum with a thickness of 3/16" and is corrosion resistant. Finished with one coat of grey hammerpaint for added corrosion resistance.

Axial vanes in stainless steel, dynamically and statically balanced to assure low noise level and vibration-free operation.

Motor

Split capacitor, totally enclosed. Class F insulated, IP54 Protection Class. Sealed ball bearings. Variable Speed. Thermal overload protection.

Standard Equipment

- 2"x4" or 4"x4" junction box with cover and conduit
- Bird Screen

Optional Equipment

- 5Amp or 8Amp Fan Speed Control
- PDS Proven Draft Switch



Intertek
ETL File 514733

Specifications are subject to change without notice.

ENERVEX Inc.
1685 Bluegrass Lakes Parkway
Alpharetta, GA 30004
USA

P: 770.587.3238
F: 770.587.4731
T: 800.255.2923
info@energex.com
www.energex.com



Listings

The RSV 009-016 Chimney Fan is ETL Listed in the U.S. and Canada under file no. 514733:

- UL 378 Standard for Draft Equipment
- UL 705 Standard for Power Ventilators
- CSA3-B255-M81 Standard for Mechanical Flue Gas Exhauster
- CSA G22.2 No. 113-12 Fans and Ventilators, Edition 9

Approvals

- CE Compliant
- Manufactured at ISO9001 certified plant

Warranty

- 2-Year Factory Warranty on the entire fan
- 10-Year Warranty Against Corrosion Perforation

Complete warranty conditions are available from ENERVEX Inc.

ENERVEX®
VENTING DESIGN SOLUTIONS



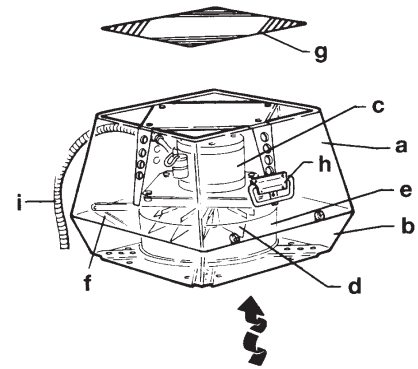
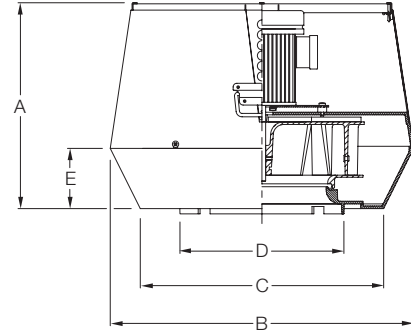
ENERVEX® RSV 009-016 CHIMNEY FAN

3912020 04.17

Product Information

Specifications

Model	RSV 009	RSV 012	RSV 014	RSV 016	
Discharge	Vertical				
Fan Type	Axial Vane				
Max. Discharge Velocity FPM	2351	2592	2593	2169	
Actual Discharge Velocity FPM	5.9 x CFM	2.9 x CFM	1.9 x CFM	1.2 x CFM	
Voltage VAC	1x120				
Amperage amps	0.5	1.4	2.9	5.8	
RPM	1600				
CFM @0.0 Ps	375	875	1550	1750	
Motor Output hp / kw	0.03 / 0.025	0.13 / 0.10	0.21 / 0.16	0.47 / 0.35	
Weight lbs / kg	28 / 12	46 / 18	60 / 26	86 / 35	
Dimensions	A in / mm	9.85 / 250	11.03 / 280	13.20 / 335	14.97 / 380
	B x B in / mm	12.21 / 310	15.37 / 390	19.11 / 485	22.85 / 580
	C in / mm	9.46 / 240	12.22 / 310	15.7 / 385	18.32 / 465
	D in / mm	8.63 / 219	10.72 / 272	13.04 / 331	14.26 / 362
	E in / mm	2.76 / 70	3.15 / 80	3.94 / 100	4.53 / 115
Motor Starter Required	No	No	No	No	
Variable Speed Motor	Yes	Yes	Yes	Yes	
Temperature Rating	575°F / 300°C				

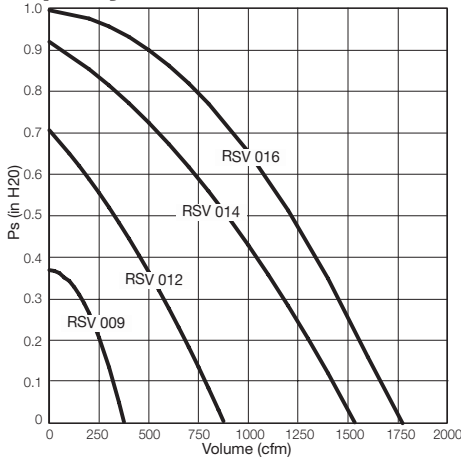


- a** Top Section
- b** Bottom Section
- c** Motor
- d** Axial Vane
- e** Inlet for Axial Vane
- f** Locking Hinge
- g** Bird Screen
- h** Handle
- i** Wiring Conduit

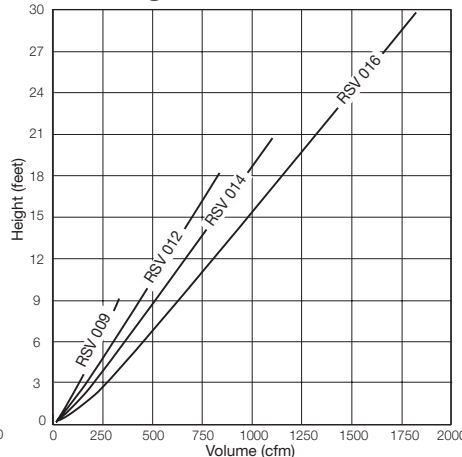
Sound Diagram

Model	Lw dB (measured in accordance with ISO 3744)							Lp dB(A)
	125Hz	250Hz	500Hz	1000Hz	2000Hz	4000Hz	8000Hz	
RSV 009	57	55	54	49	40	35	26	26
RSV 012	64	62	61	55	51	46	40	33
RSV 014	71	70	68	61	56	44	44	40
RSV 016	76	76	70	65	60	49	49	44

Capacity



Plume Height



ENERVEX Inc.
1685 Bluegrass Lakes Parkway
Alpharetta, GA 30004
USA

P: 770.587.3238
F: 770.587.4731
T: 800.255.2923
info@enervex.com
www.enervex.com

ENERVEX®
VENTING DESIGN SOLUTIONS