

ENERVEX®

RCF ROOF CURB

3922013 01.17

Product Information

Use

The RCF Roof Curb is a self-flashing type of curb designed for use with GSV, EFV, RSV and BEF models on flat roofs.

Description

The design makes installation very easy and eliminates the need for securing roofing papers onto the side of the curb wall. A flange is provided for fastening into the roof deck, so roof material only needs to cover the flange.

A neoprene gasket is secured onto the top of the curb. Wood nailers are not required but can be supplied as an option.

Material

The roof curb is made of 18GA Galvanized steel and is fully welded. All corner seams are liquid-tight due to the continuous weld. The standard curb is not insulated, but as an option it can be supplied with 1 1/2" thick insulation for thermal protection and soundproofing.

Warranty

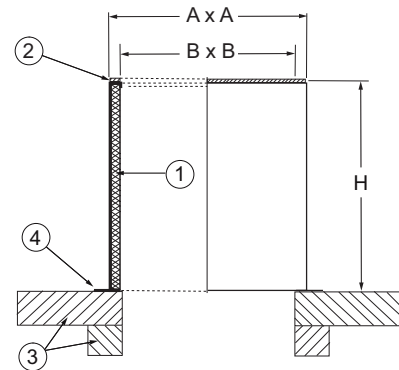
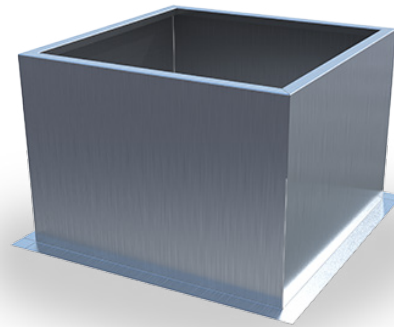
2-Year Factory Warranty. Complete warranty conditions are available from ENERVEX Inc.

Specifications

RCF Roof Curbs are available in these and other standard sizes.

Model	Dimensions			Fan
	H (in)	A x A (in)	B x B (in)	
RCF 18-24	24	18 x 18	15 x 15	BEF 200, 250, 300
RCF 20-24	24	20 x 20	17 x 17	BEF 350, 400
RCF 27-24	24	27 x 27	24 x 24	BEF 500
RCF 30-24	24	30 x 30	27 x 27	BEF 600
RCF 32-24	24	32 x 32	29 x 29	BEF 700
RCF 18-31	31	18 x 18	15 x 15	GSV 012, 014, 200
RCF 20-31	31	20 x 20	17 x 17	GSV 016, 250
RCF 25.5-27	27	25.5 x 25.5	22.5 x 22.5	GSV 315, 400, 450

Other sizes available upon request.



1. 1 1/2" Insulation (Optional)
2. Neoprene Gasket (Optional)
3. Roof Structure (By Others)
4. Fastening Flange (2")

Specifications are subject to change without notice.

ENERVEX Inc.
1685 Bluegrass Lakes Parkway
Alpharetta, GA 30004
USA

P: 770.587.3238
F: 770.587.4731
T: 800.255.2923
info@enervex.com
www.enervex.com

ENERVEX®
VENTING DESIGN SOLUTIONS