

ENERVEX®

GSV 009-016 PIZZA OVEN FAN

3922001 03.16

Product Information

Use

The GSV is part of a mechanical draft fan for use as part of a restaurant kitchen pizza oven exhaust system or grease application.

Description

Ensures a negative pressure in the entire duct or vent system. Discharges vertically (horizontally, if side-wall mounted) at a high velocity.

The fan housing is hinged and the top can be opened for easy service and access to stack. The construction of the exhaust fan's axial vanes creates a self-cleaning effect. The fans are designed to withstand the high temperatures associated with stone hearth cooking, and creosote production that results from solid fuel burning. The GSV model is approved for temperatures up to 575°F (300°C).

Exhaust fan for installation at the duct or vent termination point, vertical or side-wall mounted.

Material

Housing is made of cast aluminum with a thickness of 3/16" and is corrosion resistant. One coat of grey hammerpaint finish is applied.

Axial vanes are stainless steel, dynamically and statically balanced to assure low noise level and vibration-free operation.

Motor

GSV 009-016: Single phase, split capacitor, totally enclosed, Class F insulated, IP54 Protection Class. Sealed ball bearings. Variable Speed. Thermal overload protection.

Standard Equipment

- 2"x 4" or 4"x 4" junction box with cover and conduit
- Bird Screen

Optional Equipment

- 5 Amp or 8 Amp Fan Speed Control
- Neoprene Gasket
- Roof Curb



Listings

The GSV 009-016 Grease Fan is ETL Listed in the U.S. and Canada under file no. 514733:

- UL 705 Standard for Power Ventilators
- UL 762 Standard for Power Roof Ventilators for Restaurant Exhaust Appliances
- ULC-S645-93 Standard for Power Roof Ventilators for Commercial and Institutional Kitchen Exhaust Systems

Approvals

- CE Compliant
- The Commonwealth of Massachusetts
- The city of Los Angeles, CA (RR 8474)
- OSHPD Preapproval Of Manufacturer's Certification (OPM) No. OSP-0343-10
- Manufactured at ISO9001 certified plant

Warranty

- 2-Year Factory Warranty on the entire fan
- 10-Year Warranty Against Corrosion Perforation

Complete warranty conditions are available from ENERVEX Inc.



Intertek

ETL File 514733

Specifications are subject to change without notice.

ENERVEX Inc.
1685 Bluegrass Lakes Parkway
Alpharetta, GA 30004
USA

P: 770.587.3238
F: 770.587.4731
T: 800.255.2923
info@enervex.com
www.enervex.com

ENERVEX®
VENTING DESIGN SOLUTIONS

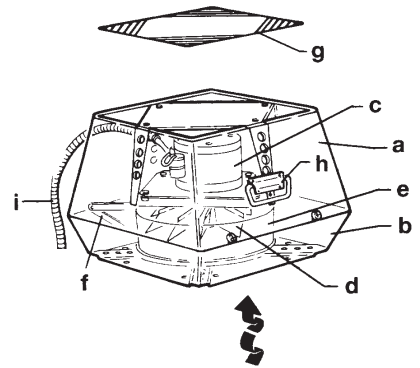
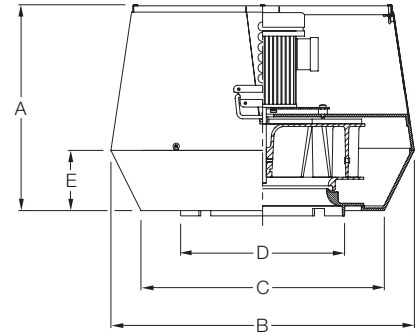
ENERVEX® GSV 009-016 PIZZA OVEN FAN

3922001 03.16

Product Information

Specifications

| Model | | GSV 009 | GSV 012 | GSV 014 | GSV 016 | |
|---------------------------|----------|--------------|-------------|-------------|-------------|-------------|
| Discharge | | Vertical | | | | |
| Fan Type | | Axial Vane | | | | |
| Max. Discharge Velocity | FPM | 2351 | 2592 | 2593 | 2169 | |
| Actual Discharge Velocity | FPM | 5.9xCFM | 2.9xCFM | 1.9xCFM | 1.2xCFM | |
| Voltage | V AC | 1x120 | | | | |
| RPM | | 1600 | | | | |
| Amps | A | 0.5 | 1.4 | 2.9 | 5.8 | |
| CFM | @0.0 Ps | 375 | 875 | 1550 | 1740 | |
| Motor Output | kW / HP | 0.025 / 0.03 | 0.13 / 0.10 | 0.21 / 0.16 | 0.47 / 0.35 | |
| Weight | lbs / kg | 28 / 12 | 46 / 18 | 60 / 26 | 86 / 35 | |
| Dimensions | A | in / mm | 9.85 / 250 | 11.03 / 280 | 13.20 / 335 | 14.97 / 380 |
| | B x B | in / mm | 12.21 / 310 | 15.37 / 390 | 19.11 / 485 | 22.85 / 580 |
| | C x C | in / mm | 9.46 / 240 | 12.22 / 310 | 15.17 / 385 | 18.32 / 465 |
| | D | in / mm | 8.63 / 219 | 10.72 / 272 | 13.04 / 331 | 14.26 / 362 |
| | E | in / mm | 2.76 / 70 | 3.15 / 80 | 3.94 / 100 | 4.53 / 115 |
| Soft Start Required | | No | No | No | No | |
| Variable Speed Motor | | Yes | Yes | Yes | Yes | |
| Temperature Rating | | 575°F/300°C | | | | |

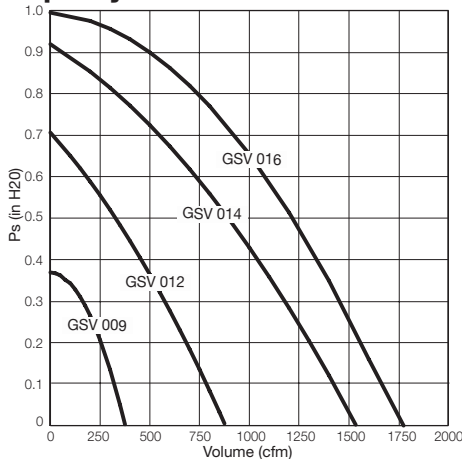


Sound Diagram

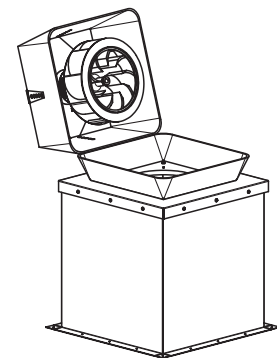
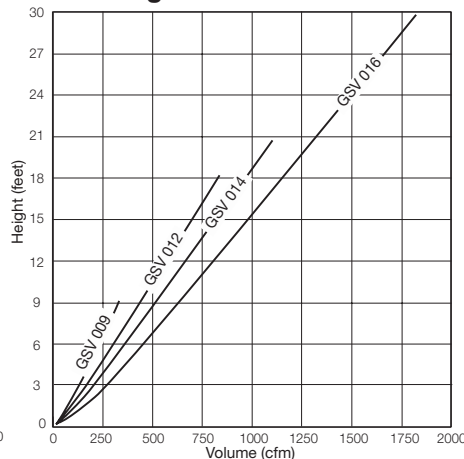
| Model | Lw dB (measured in accordance with ISO 3744) | | | | | | | Lp dB(A) |
|---------|--|-------|-------|--------|--------|--------|--------|----------|
| | 125Hz | 250Hz | 500Hz | 1000Hz | 2000Hz | 4000Hz | 8000Hz | |
| GSV 009 | 57 | 55 | 54 | 49 | 40 | 35 | 26 | 26 |
| GSV 012 | 64 | 62 | 61 | 55 | 51 | 46 | 40 | 33 |
| GSV 014 | 71 | 70 | 68 | 61 | 56 | 44 | 44 | 40 |
| GSV 016 | 76 | 76 | 70 | 65 | 60 | 49 | 49 | 44 |

- a Top Section
- b Bottom Section
- c Motor
- d Axial Vane
- e Inlet for Impeller
- f Locking Hinge
- g Wiring Conduit
- h Handle

Capacity



Plume Height



Hinged housing

ENERVEX Inc.
1685 Bluegrass Lakes Parkway
Alpharetta, GA 30004
USA

P: 770.587.3238
F: 770.587.4731
T: 800.255.2923
info@enervex.com
www.enervex.com

ENERVEX®
VENTING DESIGN SOLUTIONS