

ENERVEX®

SFTA SUPPLY FAN

3912042 07.17

Product Information

Use

The SFTA Supply Fan can be used for combustion air supply systems where reliability, efficiency and low noise are important factors.

Description

The SFTA is a high-efficiency tube-axial fan with a cast aluminum propeller mounted directly on the motor shaft. The eight blade propeller and motor assembly are enclosed entirely within the fan housing.

The SFTA is equipped with an energy-efficient, totally enclosed, variable speed motor (TEFC). A service door and external conduit box is provided to allow easy access to the motor and propeller.

The SFTA Supply Fan is a component in the MCAS™. Modulating Combustion Air System.

Material

The housing is continuously welded, heavy-gauge, corrosion resistant steel. Flanges on the inlet and outlet are integrally rolled and punched for attachment to ductwork and accessories. The fan housing is painted with a corrosion resistant enamel coat. Aluminum parts are not painted.

The aluminum propellers are dynamically balanced for quiet, vibration free operation.

Motor

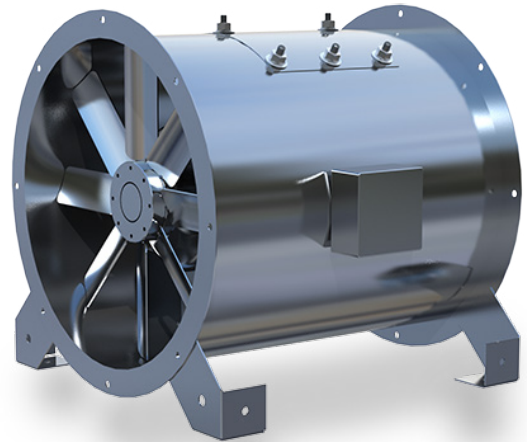
Commercial grade, totally enclosed, variable speed 3-phase motor. Class F insulated, IP54 Protection Class. Thermal overload protection. The motor is foot-mounted, NEMA standard.

Standard Equipment

- Flanged connections
- Conduit box

Accessories

- EBC 30/31, Modulating Pressure Controller
- EBC 24, Modulating Pressure Controller
- EDrive Motor Control
- Inlet/Outlet Screen



Listings

The SFTA Supply Fan is UL Listed in the U.S. and certified for Canada under Underwriters Laboratories Inc. file no. E158680:

- UL 705 Standard for Power Ventilators
- CSA 22.2 No. 113 Standard for Fans and Ventilators

Manufactured at ISO9001 certified plant.

Rated and certified to AMCA Publications 211 and 311.

Warranty

2-Year Factory Warranty. Complete warranty conditions are available from ENERVEX Inc.



Specifications are subject to change without notice.

ENERVEX Inc.
1685 Bluegrass Lakes Parkway
Alpharetta, GA 30004
USA

P: 770.587.3238
F: 770.587.4731
T: 800.255.2923
info@enervex.com
www.enervex.com

ENERVEX®
VENTING DESIGN SOLUTIONS

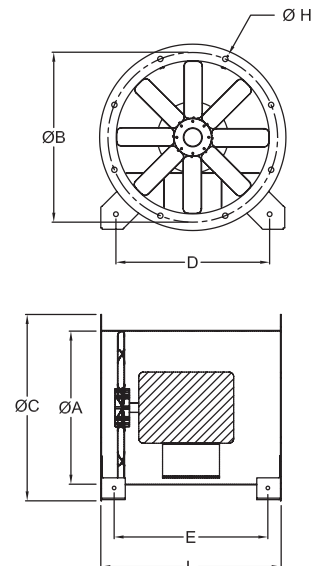
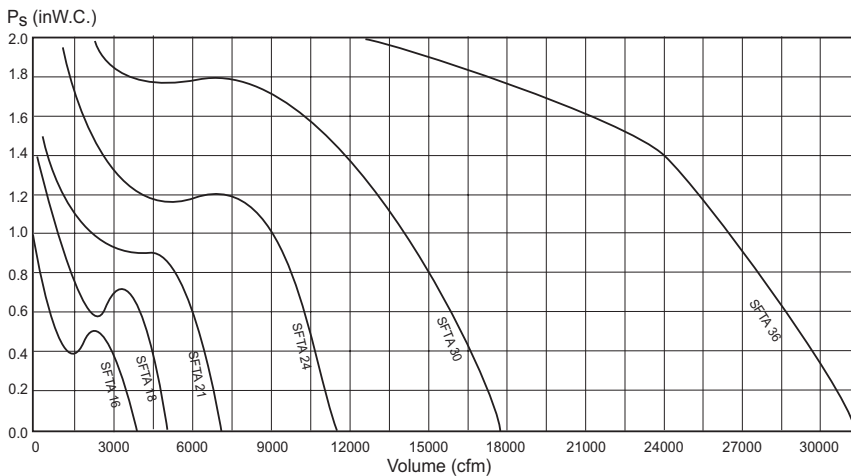
ENERVEX® SFTA SUPPLY FAN

3912042 07.17

Product Information

Specifications

Model		SFTA 16	SFTA 18	SFTA 21	SFTA 24	SFTA 30	SFTA 36	
Fan Type		Tube-axial						
Motor Type		TEFC						
Number of Blades		8	8	8	8	8	8	
Voltage	V AC	200-240/3/60 OR 440-480/3/60						
Amperage	Amps	2.8/1.4	2.8/1.4	4.0/2.0	8.2/4.1	14.2/7.1	23.0/11.5	
Motor Output	HP	1.0	1.0	1.5	3.0	5.0	10.0	
	kW	.75	.75	1.30	2.25	3.75	7.50	
RPM		1750						
Average Weight	lbs	53	60	85	97	149	234	
	kg	24	27	39	54	77	117	
Nominal Duct Connection	in	16	18	21	24	30	36	
	mm	400	450	530	600	750	910	
Dimensions	Ø A	in	16.13	18.25	21.25	24.25	30.38	36.50
		mm	410	464	540	616	772	927
	Ø B	in	17.88	19.88	22.88	25.88	32.00	38.38
		mm	454	505	581	657	813	975
	Ø C	in	18.88	20.88	24.00	27.00	33.50	40.00
		mm	480	530	610	686	851	1,016
	D	in	15.88	17.25	19.25	21.5	25.75	30.38
		mm	403	438	489	546	654	772
	E	in	15.25	15.25	17.25	17.25	22.25	23.25
		mm	641	641	438	438	565	591
	Ø H	in	0.34	0.34	0.44	0.44	0.44	0.44
		mm	9	9	11	11	11	11
	L	in	19	19	21	21	26	27
		mm	483	483	533	533	660	686
Mounting Holes	Qty	8	8	8	8	8	16	
Max. Frame		143T	145T	184T	184T	184T	245T	



Specifications are subject to change without notice.

ENERVEX Inc.
1685 Bluegrass Lakes Parkway
Alpharetta, GA 30004
USA

P: 770.587.3238
F: 770.587.4731
T: 800.255.2923
info@enervex.com
www.enervex.com

ENERVEX®
VENTING DESIGN SOLUTIONS