

# ENERVEX® ADM AUTOMATIC DAMPER

3902020 04.18

Product Information

## Use

The ADM Automatic Damper is a single blade, two position damper powered by an actuator. It is used to balance draft in a boiler connector and to reduce boiler stand-by losses. It is for installation with gas-fired or oil-fired equipment only.

## Description

The ADM Automatic Damper is powered by a 120VAC or 24VAC/VDC actuator. The actuator is equipped with a fail safe system to open the damper in the event of an electrical or mechanical failure. It has an adjustable NO/NC endswitch to provide damper position open/closed.

The ADM is available in standard stack diameters ranging from 6 to 36 inches. The actuator interlocks with a gas or oil fired heating appliance to open the damper when the appliance is in use, and closes it when the appliance is not in use.

The ADM damper is manufactured with slip connections to connect to chimneys without flange connections. The ADM is rated for temperatures up to 1400°F (760°C).

The ADM should be installed with sufficient clearance above the boiler outlet to allow for damper protrusion into the stack when fully open.

## Material

The frame is made of 20 GA 316L stainless steel. The blade is made of 18 GA 316L stainless steel.

## Optional Equipment

- Weather proof enclosure for actuator

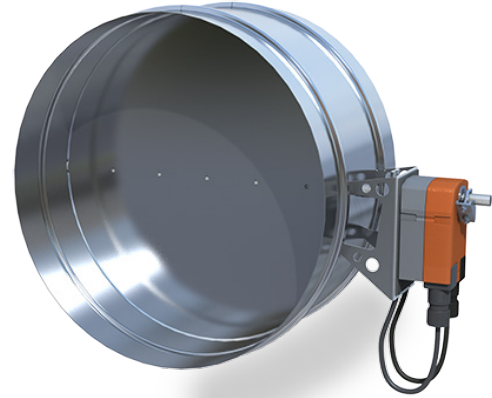
## Listings

The ADM Automatic Damper assembly (damper with actuator) is UL listed in the US and certified for Canada under Underwriters Laboratories Inc. file no. E467733:

- UL 378 Standard for Draft Equipment
- UL 17 Standard for Vent or Chimney Connector Dampers for Oil-Fired Appliances
- ULC/ORD-C378 Draft Equipment
- ANSI Z21.66-1996 Automatic Vent Damper Devices For Use With Gas-fired Appliances

## Warranty

2-Year Factory Warranty. Complete warranty conditions are available from ENERVEX Inc.



ENERVEX Inc.  
1685 Bluegrass Lakes Parkway  
Alpharetta, GA 30004  
USA

P: 770.587.3238  
F: 770.587.4731  
T: 800.255.2923  
info@enervex.com  
www.enervex.com

**ENERVEX®**  
VENTING DESIGN SOLUTIONS

# ENERVEX® ADM AUTOMATIC DAMPER

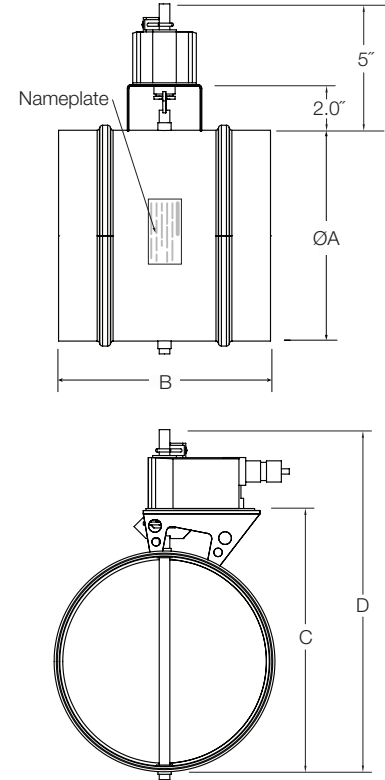
3902020 04.18

Product Information

## Specifications

Model	Stack ID (in)	Dia. A in / mm	Dim. B in / mm	Dim. C in / mm	Dim. D in / mm
ADM 6	6	5.85 / 146	8.0 / 203	7.85 / 199	10.85 / 276
ADM 8	8	7.85 / 197	8.0 / 203	9.85 / 250	12.85 / 326
ADM 10	10	9.85 / 248	10.0 / 254	11.85 / 301	14.85 / 377
ADM 12	12	11.85 / 298	10.0 / 254	13.85 / 352	16.85 / 428
ADM 14	14	13.85 / 349	10.0 / 254	15.85 / 403	18.85 / 479
ADM 16	16	15.85 / 400	10.0 / 254	17.85 / 453	20.85 / 530
ADM 18	18	17.85 / 451	12.0 / 305	19.85 / 504	22.85 / 580
ADM 20	20	19.85 / 502	12.0 / 305	21.85 / 555	24.85 / 631
ADM 22	22	21.85 / 552	14.0 / 356	23.85 / 606	26.85 / 682
ADM 24	24	23.85 / 603	14.0 / 356	25.85 / 657	28.85 / 733
ADM 26	26	25.85 / 654	16.0 / 406	27.85 / 707	30.85 / 784
ADM 28	28	27.85 / 705	16.0 / 406	29.85 / 758	32.85 / 834
ADM 30	30	29.85 / 756	16.0 / 406	31.85 / 809	34.85 / 885
ADM 32	32	31.85 / 806	16.0 / 406	33.85 / 860	36.85 / 936
ADM 34	34	33.85 / 857	18.0 / 457	35.85 / 911	38.85 / 987
ADM 36	36	35.85 / 908	18.0 / 457	37.85 / 961	40.85 / 1038

Other sizes available upon request.



Specifications are subject to change without notice.

ENERVEX Inc.  
1685 Bluegrass Lakes Parkway  
Alpharetta, GA 30004  
USA

P: 770.587.3238  
F: 770.587.4731  
T: 800.255.2923  
info@enervex.com  
www.enervex.com

**ENERVEX®**  
VENTING DESIGN SOLUTIONS