

ENERVEX® CCG CURB CAP

3922014 01.17

Product Information

Use

The CCG Curb Cap is specifically designed for use with the RCF Roof Curb for the GSV Grease Fan and the BEF Box Ventilator.

Description

An optional neoprene gasket ensures a tight fit between the fan and the cap.

Material

The curb cap is made of 16GA galvanized steel. All corner seams are welded liquid-tight. The neoprene mat should be 1/4" thick (SOLD SEPARATELY).

Optional Equipment

- A neoprene gasket

Warranty

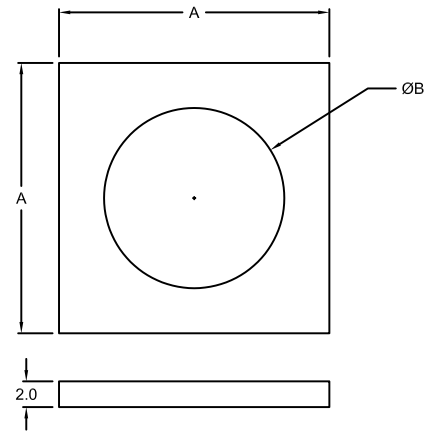
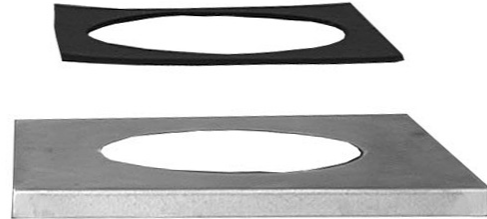
2-Year Factory Warranty. Complete warranty conditions are available from ENERVEX Inc.

Specifications

All curbs and Curb Caps are available in these and other standard sizes.

Model	Roof Curb	Dimensions		Fan
		A x A (in)	B (in)	
CCG 19-13	RCF 18	19 x 19	13	BEF 200, 250, 300
CCG 21-14	RCF 20	21 x 21	14	BEF 350, 400
CCG 28-19	RCF 27	28 x 28	19	BEF 500
CCG 31-21	RCF 30	31 x 31	21	BEF 600
CCG 33-23	RCF 32	33 x 33	23	BEF 700
CCG 19-11	RCF 18	19 x 19	11	GSV 012, 200
CCG 19-13	RCF 18	19 x 19	13	GSV 014
CCG 21-10	RCF 20	21 x 21	10	GSV 250
CCG 21-16	RCF 20	21 x 21	16	GSV 016
CCG 26.5-16	RCF 25.5	26.5 x 26.5	16	GSV 315, 400, 450

Other sizes available upon request.



Specifications are subject to change without notice.

ENERVEX Inc.
1685 Bluegrass Lakes Parkway
Alpharetta, GA 30004
USA

P: 770.587.3238
F: 770.587.4731
T: 800.255.2923
info@enervex.com
www.enervex.com

ENERVEX®
VENTING DESIGN SOLUTIONS