

THE SHAMROCK

JULY-AUG 2009



SAINT PATRICK'S EPISCOPAL CHURCH

The Rev. Emily Gibson, Interim Rector

21 Holyoke Street

Brewer, ME 04412-1905

(207) 989-1308

SAINT PATRICK'S EPISCOPAL CHURCH

The Rev. Emily Gibson, Interim Rector

21 Holyoke Street

Brewer, ME 04412-1905

(207) 989-1308

stpatsbrewerme@gmail.com

On the web at www.stpatsbrewer.org

Mary Ann Perry, Organist

St. Patrick's Vestry

Sue Elcik – *Senior Warden*

Peter Perry – *Junior Warden*

Lisa Chambers – *Clerk*

David Blethen – *Treasurer*

Penny Baker

Tom Copeland

Sandra Currier

Lloyd Day

Jane Harburger

Mary Rush

Diocesan Delegates

Harold "Brownie" Brown

Della Gleason

Mark Spahr

Bev Joy – Alternate

**St. Patrick's Parish mission is to love God
and love each other**



From Our Interim Rector

To the faithful of St. Patrick's:

Let's hope that summer begins soon...there's not much of it left! That being said, summer will be a time of less activity around the parish as people have time away for vacation and at camp. Worship on Sundays will continue as usual at the earlier 9:00 a.m. time, and we will have an outdoor Eucharist and picnic on Sunday, July 12 (at 9:00 a.m.), or, if it rains, on July 19, at the Bangor waterfront. Please bring a picnic lunch, lawn chairs, sunscreen, hats, and anything else you will need for some time outdoors for worship and fellowship. Dress informally, as well!

It would be fun to have a picnic, perhaps a lobster bake, at our home in Castine later in the season, perhaps mid-to late August. We can choose a date in July, through a conversation during the announcement time as to what date will be best.

The work of the Action Groups and the Profile Committee will continue through the summer as schedules permit, and announcements of those meetings will take place through the Google Group venue and in the Sunday bulletin. You can join in the Action Group work at

any time, with new ideas and input most welcome and needed!

Also, you will be contacted by a Vestry member during the next couple of months for your thoughts regarding a joint search for a new Rector with the congregation of St. James', Old Town. The need for open, honest communication about this potential partnership in the search process is vital so that our perspectives and needs regarding ordained leadership will be well represented. If you are not approached, please seek out one of the wardens or Vestry members.

And, otherwise, let us enjoy the pleasures of summer, so that we may find the refreshment and renewal that these precious months afford.

Faithfully yours,
Emily

Emily's Vacation Schedule

The week preceding and including the July 4 weekend

The last two weeks of July, including the Sundays of July 19 & 26.

The Rev'd Richard Johnson of Castine will be guest celebrant on July 5, 19, & 26. In case of pastoral emergency, please contact one of the wardens.

What's going on...

Bishop's Visitation --- Save the Date!!

Bishop Stephen Lane will make his official visitation to St. Patrick's Church on Sunday, December 6 (Advent 2), at the 10:00 a.m. service. This will be an opportunity for Bishop Steve to get to know us, to meet with the Vestry, to baptize, confirm, receive into the Episcopal Church, or for reaffirmation of baptismal vows. If you are interested in being confirmed, baptized, received into the Episcopal Church from another denomination, or would like to undertake study and preparation for a reaffirmation of faith, please let Emily know.

EFM: Education for Ministry to start at St. John's in the Fall

Education for Ministry, an intensive study program sponsored by Sewanee Seminary, will be starting up this Fall at St. John's, Bangor. Over a four year period, the study areas will be Old and New Testament, Theology, and Church History. This program qualifies as training for the Diaconate in many dioceses, and is a wonderful education in many aspects of Christianity in general, and the Episcopal Church in particular. Sessions meet weekly, and require a commitment to study and reflection. If you are interested, please speak to Emily.

Youth News and Schedule

Summer is a fine time for youngsters and adolescents to enjoy the wonderful offerings of our Diocese:

Camp Bishopswood by the shores of Lake Megunticook in Hope, Maine, has seven one-week sessions, beginning Sunday, June 28, with the last week ending on August 15. The youth camp sessions for boys and girls entering grades 2 - 10 may be one or more weeks, with structured scheduling and flexibility to allow for group and individual program choices. Activity areas include: Arts & Crafts, Swimming and Boating, Landsports and other Games, Outdoor Living, Group Development Skills, Music, Dance, Theatre Games, Drama, Special Events, and Faith Development and Chapel. Tuition is \$395 per week. Counselor-In-Training (CIT) for high school juniors is offered from July 5 to August 1 in study, discussion, work, and apprenticeship to discover the many facets of being a good counselor, as well as opportunity to learn about the administrative aspects of camp, such as programming, health and safety, the site and business details, and to explore one's own faith journey. Most CIT's have had previous camping experience at Bishopswood, and are selected by application. Enrollment is limited, and the fee is \$1150. For more information, see the flyers/registration forms in the

Common Room, or look at the Bishopswood web site at: www.bishopswood.org.

“Believe it or Not” Camp (AKA BION), takes place at Bishopswood for teens completing grades 6 -12 from Tuesday - Saturday, August 18 - 22. Students in grades 11 and 12 can also apply to be on the Leadership, Learning, and Service Team (LLS). Our own Josh Buck will be a counselor at BION this year. At BION, teens spend time with regular camping type activities, as well as attend morning and afternoon focus groups with topics such as: “Dares from Jesus,” “Exploring the Bible through Music,” “Christianity Around the World,” “The Craziiness of Jesus,” “Justice or Just Us,” “Who is God,” “High School Huddle,” and lots more. Clergy and other adults lead the focus groups. The fee for the week is \$210, and financial aid is available from the Diocese. Flyers/registration forms are available from the Interim Rector.

2009-2010 Youth Schedule

BION Teen Camp: August 18-22

Leadership Training for Journey (Grace Church, Bath), September 25-26. *Youth and adults prepare to lead.*

Journey (a Fall Middle School Event at Grace Church, Bath), October 16-18. *A weekend of fun, faith, and new friends.*

Youth at Convention and Benefit Dinner (Bangor Civic Center, and St. Patrick’s, Brewer), Friday, October 23. *Youth serve as pages at the Diocesan Convention, and youth and adults serve Friday dinner to benefit the international mission project.*

Leadership Training for Happening (Christ Church, Gardiner), November 6-8. *Team building, worship, and training for teen and adult leaders.*

Happening (Christ Church, Gardiner), November 20-22. *A weekend of faith and community-building led by high schoolers and for high schoolers.*

Prep for Winter Middle School Event (St. John’s, Bangor), January 15-16.

Winter Middle School Event (St. John’s, Bangor), February 5-7.

Preparation for Teens Encounter Christ (TEC) (Trinity Church, Portland) March 5-7

Teens Encounter Christ (Trinity Church, Portland), March 19-21

Emily+

From Our Wardens

Dear All at St. Patrick's,

We are all beginning to wonder if this rain will ever stop and we'll get to enjoy the great Maine outdoors again! Keep the faith that the sun will indeed shine again!

As was mentioned in the last newsletter, the vestries of St. Patrick's and St. James met with the rector of Palmyra and Skowhegan along with the wardens from Palmyra to discuss the similarities and differences between St. Pat's and St. James and the benefits/difficulties of having a shared rector. It was a good, productive meeting and we left feeling really good about St. Patrick's and where we are in our process. The next step is for Vestry members to chat with our parishioners to see where you stand on this issue, what questions you may have, and any concerns that we need to address. So... if you haven't already been approached by a Vestry member, please seek us out and let us know your feelings about sharing a rector with St. James. If we don't hear from you, we will likely be calling you at home and/or scheduling a visit with you. We feel it is vitally important to have input from everyone as we go forward at this time.

We know that summer can be busy for most folks and we urge you to remember that the church continues to function even if we are not all at church

every Sunday. Please remember your pledge commitment to St. Patrick's and try to keep your pledge up to date as the bills don't stop coming in during the summer.

We will continue to keep you informed of all that is happening at St. Patrick's and we encourage you to speak to us if you have any concerns.

Yours in Christ,
Sue Elcik and Pete Perry



Outreach Committee

Our Knitting Circle continues to meet on the 3rd Thursday of the month at 7:00 pm at the church. Our summer meetings will be July 16 and August 20. We continue to work on Prayer Shawls and squares for HAPS (Handmade Afghans for our Armed Forces Project) The afghans are given to wounded and now recovering military personnel.

We will have another blood drive this fall. The date is not set yet but we will keep you posted! We were able to donate \$155.00 to Maggie Rudnicki after our last blood drive.

The Profile Committee had their first meeting June 23. We will begin working on our profile and meet again July 14.

Lisa Chambers

The next Free Lunch St. Patrick's is scheduled to serve is Sept. 6. This is Labor Day Weekend. Please offer to help when you see the notice at church in August. Some work can be done ahead.

The next Outreach Committee meeting will be held August 9 after the Service. Details about the September Free Lunch will be discussed. All are welcome to attend.

Mary Ann Perry

FROM OUR ORGANIST

Have you have noticed the newly organized Green Music Folders in the pews? This was a long overdue project, but thanks to Ellen Fisher, Della Gleason, Michael Gleason, Ruth MacIlroy, Pete Perry, and me, who collectively put in about 43 hours, we no longer have to shuffle pages. All the Service Music we sing is on the first 14 pages of the folder. You no longer have to use the small Service Music cards or search for an "S" number for the music. All the Service Music will now be listed as "G" followed by a number. You will see the Green "G" on the music board

next to the organ for all Service Music and all the contemporary hymns in our repertoire. This is how it will be listed in the bulletin as well.

Mary Ann Perry

ORGAN CONCERT

You are cordially invited to

an Organ Concert given by

Mary Ann Perry

Enjoy an evening of Bach and others

July 28, 2009

6:30 p.m.

at

St. Patrick's

*Refreshments will be served after the
short concert*



Healing Thoughts

This month's Healing Thought is actually a book review. The book is entitled *The Shack* by William Paul Young. While Mr. Young has held many different jobs, he says that he has always enjoyed writing. He did not write *The Shack* for publication purposes, but as a story for his own children. Others read the book and decided that it needed to be available to a wider audience. Interestingly, the Christian publishing companies turned the book down as being too radical and the secular publishing companies turned the book down as being too religious. So a dedicated few formed their own publishing company to publish this book. It has now sold millions of copies and there has been talk of making it into a movie.

The Shack is the story of a man called Mack, who had challenges in childhood but managed to grow up, find work, marry and have children. He "believed" in God and attended church but never had a particularly close connection to God. When he experiences a horrible tragedy he prays to God, but things don't turn out as he hopes. He "gets through" the tragedy and life settles into a period of years that he calls his "Great Sadness."

In the midst of this period he receives an odd note to meet God. Despite being uncertain of whether this is a bizarre hoax or not, he decides to follow the note's instructions. What follows is an incredible story of his encounter with God. As human beings we sometime muse about what it would be like to "really met God." More mature folks might remember such movies as "Oh God" or "Oh God You Devil" starring George Burns. In more recent history, there have been the movies "Bruce Almighty" and "Evan Almighty" which have humorously explored what meeting God might be like. *The Shack* has its humorous moments but goes well beyond that to what it might really be like to meet God face-to-face with all one's senses and mind engaged.

I'll conclude this review with a quote from the back of the book's cover.

In a world where religion seems to grow increasingly irrelevant THE SHACK wrestles with the timeless question: Where is God in a world so filled with unspeakable pain? The answers Mack gets will astound you and perhaps transform you as much as it did him. You'll want everyone you know to read this book!

If this book report has peaked your interest, please be aware that St. Patrick's lending library in the Common Room has two copies of *The Shack* available to be checked out.

Pat Blethan




July

- 7 Nathaniel Blanchard
- 12 Sue Elcik
- 16 Marie Lyden
- 16 Samantha Thibodeau
- 25 Rob Cady
- 26 Penny White
- 27 Richard Harburger
- 27 Sandra Currier
- 28 Lillian Rivers
- 30 Sarah Dixon
- 31 Kerri Lynch

August

- 5 Pat Blethen
- 5 Mary & Rob Cady
- 6 Dianne Huntley
- 7 Mike & Della Gleason
- 8 Barbara Sanborn
- 11 Theresa Copeland
- 13 Edith Avery
- 14 Mark & Lisa Chambers
- 14 Judy Baker
- 20 Emily Hardy

- 22 David Piper
- 22 Ellen Grant
- 23 Ingrid Alquist
- 27 Greta Alquist
- 28 Alan & Penny Baker
- 30 Kassidy Thibodeau
- 30 Philip Piper Sr.



Memory Verse Games

Memorizing Bible verses is a great way to get God's Word into our hearts and minds.

Memory-Verse Memory Game

What you need:

- Index cards (two for each word in the Bible verse)
- Crayons and markers
- A Bible verse

What you do:

1. Choose a different color for each word in the verse. Write that word on two different cards. (Non-readers can draw pictures.)
2. Mix up the cards and spread them out (face down) on a table or floor.
3. Players take turns trying to uncover cards that match. For extra difficulty, try finding the word pairs in the order they appear in the verse.

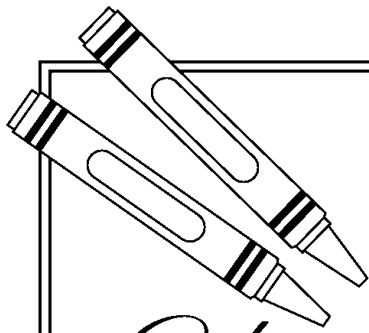
The Vanishing Memory Verse

What you need:

- Dry-erase board, markers and eraser
- *OR* chalkboard, chalk and eraser
- *OR* large piece of construction paper, pen and self-stick notes
- A Bible verse

What you do:

1. Write down the verse and read it (alone or with a partner).
2. Take turns erasing (or covering with self-stick notes) one word at a time. Then read the verse, remembering what word went in each blank.
3. Eventually, the board will be blank, and you'll be able to recite the whole verse!



Just for **KIDS**

Upon your hearts

The Bible is the perfect guidebook for living God-pleasing lives. Deuteronomy 6:6-8 (NIV) tells us how to remember the Scriptures.

Use the picture clues and Word Bank below to finish the verses.

WORD BANK

children	road
commandments	sit
down	Talk
foreheads	Tie
hands	up
hearts	walk
home	



1



2



3



4



5



6



7



8



9



10



11



12



13



“These (1) _____ that I give you today are to be upon your (2) _____. Impress them on your (3) _____. (4) _____ about them when you (5) _____ at (6) _____ and when you (7) _____ along the (8) _____, when you lie (9) _____ and when you get (10) _____. (11) _____ them as symbols on your (12) _____ and bind them on your (13) _____.”

Answers:
 (1) commandments; (2) hearts; (3) children; (4) Talk; (5) sit; (6) home; (7) walk; (8) road; (9) down; (10) up; (11) Tie; (12) hands; (13) foreheads

DATES TO REMEMBER!

See inside for details on most of these events

July 10 Prayer & Healing Service and Potluck

July 12 Picnic on the Bangor Waterfront

July 14 Profile Committee Meeting

July 16 Knitting Circle

July 28 Organ Concert by Mary Ann Perry

August 9 Outreach Meeting

August 14 Prayer & Healing Service and Potluck

August 20 Knitting Circle

August 24 Articles are due for the September issue of **THE SHAMROCK**

September 6 St. Pat's hosts Sunday meal at Columbia St. Baptist Church

December 6 Bishop Stephen Lane visits St. Pat's

If you wish to be taken off our mailing list, please notify the church office.
Thank you.

