

INVENTORY
New and Used

RLA Machine & Tool
125 E. Terrace,
Lakewood, NY 14750
Phone 716 / 499-3996
Fax 716 / 763-4744
rayers@windstream.net
www.rlamachine.net

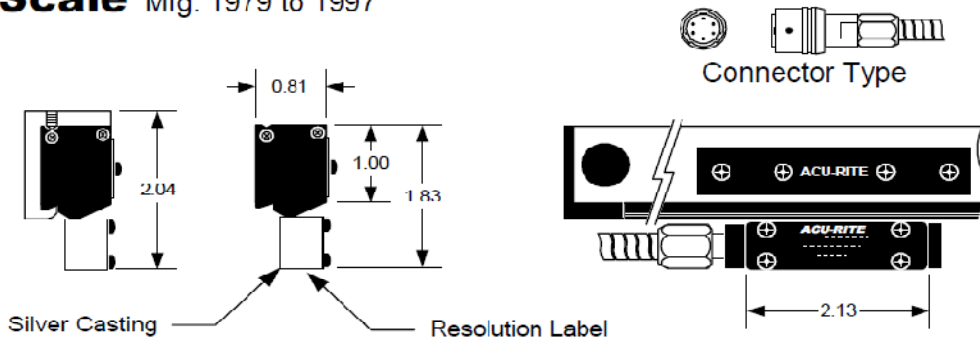
New and used inventory list

Please call for availability and pricing

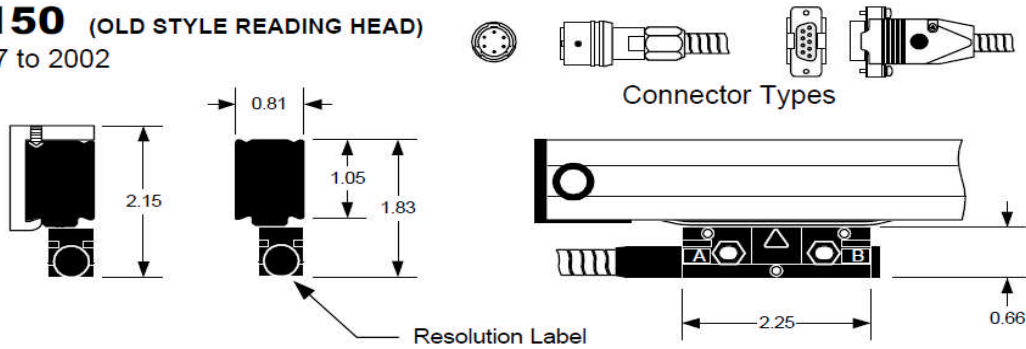
New items available by order

Not all items appear on inventory list please call for more information

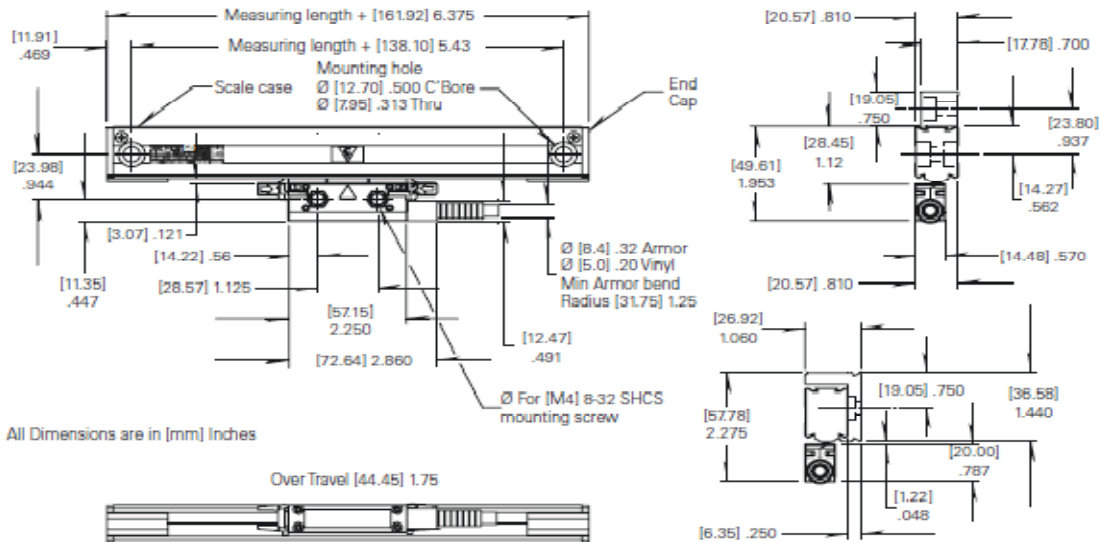
MiniScale Mfg. 1979 to 1997



ENC150 (OLD STYLE READING HEAD) Mfg. 1997 to 2002

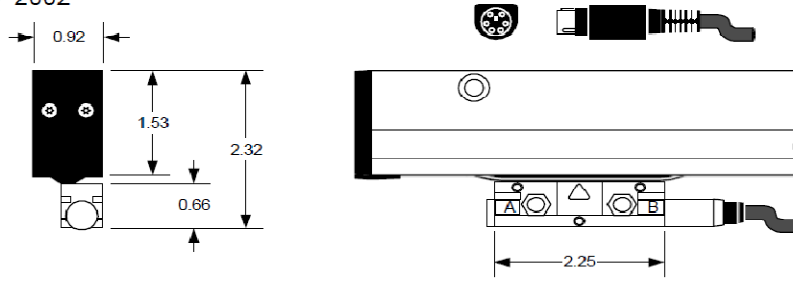


SENC 150 Assembly and Mounting Dimensions



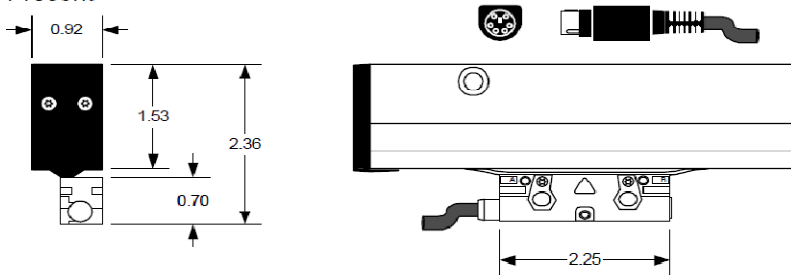
MicroLine Scale (Top Mount) (OLD STYLE READING HEAD)

Mfg. 2000 to 2002



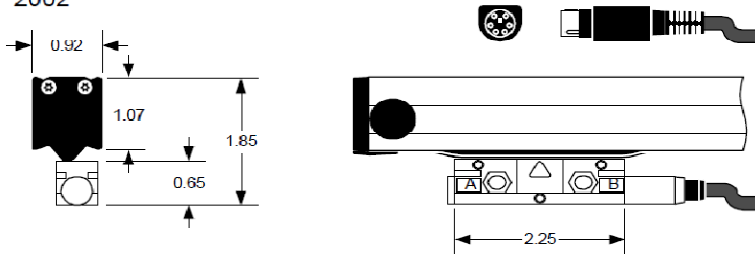
MicroLine Scale (Top Mount) (NEW STYLE READING HEAD)

Mfg. 2002 to Present



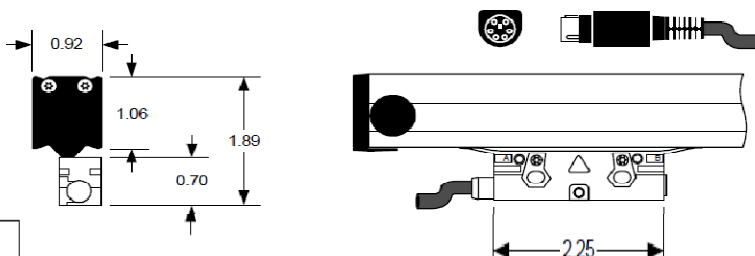
MicroLine Scale (End Mount) (OLD STYLE READING HEAD)

Mfg. 2000 to 2002



MicroLine Scale (End Mount) (NEW STYLE READING HEAD)

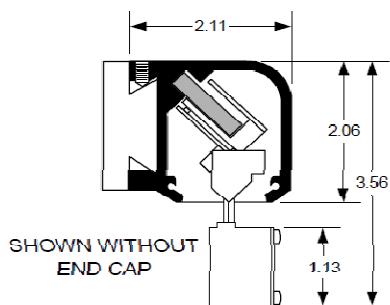
Mfg. 2002 to Present



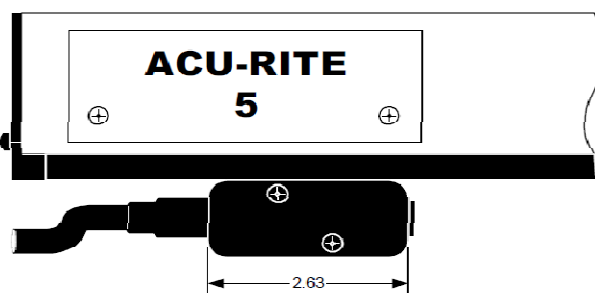
AR-5 SCALE Mfg. 1973 to 2003

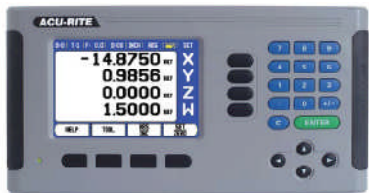


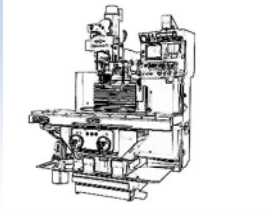
Connector Types



Resolution Label







INVENTORY
New and Used

RLA Machine & Tool

125 E. Terrace,
Lakewood, NY 14750
Phone 716 / 499-3996
Fax 716 / 763-4744
rayers@windstream.net
www.rlamachine.net

New and used inventory list

Please call for availability and pricing

New items available by order

Not all items appear on inventory list please call for more information

ACU-RITE Electronic Edge Finder 3D \$800.00



ACU-RITE
Magnification
Checker
\$1,000.00



ACU-RITE Field Service Test Box
for Scales and Readouts
\$500.00



MSC (Multile Scale Couple Box) for a 3-axis input
Allows Z&W to be coupled in 3rd input
\$300.00
First spark for DRO 200E (\$200.00)
VRO 300 CFI Box (200.00)