

Sure Cavity Stucco Lath[®] SCSL 3230



A Labor-Saving Fire-Rated Rainscreen Stucco Lath System



Conforms to ASTM E84
Class A / Class 1 Fire Rating

Labor-Saving Applications

☑ Stucco, Thin Stone or Thin Brick

Why MTI Lath Rainscreen?

Today's "tighter" buildings increase the risk of entrapped moisture. MTI's rainscreen systems greatly reduce this risk by allowing moisture to swiftly exit the building envelope. Municipalities are requiring fire-rated systems for multi-story residential structures. MTI's fire-rated rainscreen stucco lath system is an inexpensive insurance to mitigate the risk of wall failure due to entrapped moisture and meet new, stringent building codes.

The MTI Advantage

- ☑ Sure Cavity Stucco Lath[®] Conforms to ASTM E84, Class A / Class 1
- ☑ Labor-Saving - Cuts Install Time By 50%
- ☑ Unobstructed Drainage - Complete System
- ☑ Vapor Permeable for Full Ventilation
- ☑ Resists Compression, Reduces Waviness
- ☑ Over 6 Times Lighter Than Metal Lath
- ☑ Does Not Rust
- ☑ 20 Year Warranty



Rainscreen drainage plane and lath all in one

Labor-Saving System



Detail Drawings • BIM • Free Consultation • Videos
info@mtidry.com 800-879-3348 MTIdry.com

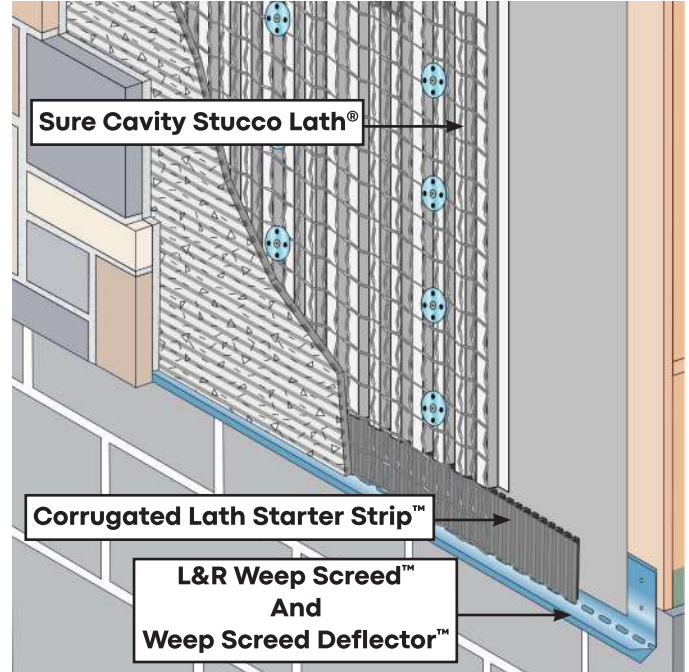
Sure Cavity Stucco Lath® SCSL 3230



A Labor-Saving Fire-Rated Rainscreen Stucco Lath System

Installation

- Install Sure Cavity Stucco Lath® rainscreen outboard of water resistive barrier. Stucco lath faces installer.
- 2" stucco lath skirt lap shingle fashion in subsequent courses.
- Corrugated material to overlap 2" at horizontal seams. Wrap Sure Cavity Stucco Lath® around corners and extend to nearest structural member.
- Fasten with a code compliant fastener to a code compliant fastening pattern.



Complete installation guide and installation video can be found at MTIdry.com/installation

Technical Information

Material Description Perforated and corrugated spunbond polyester rainscreen with an attached stucco lath.

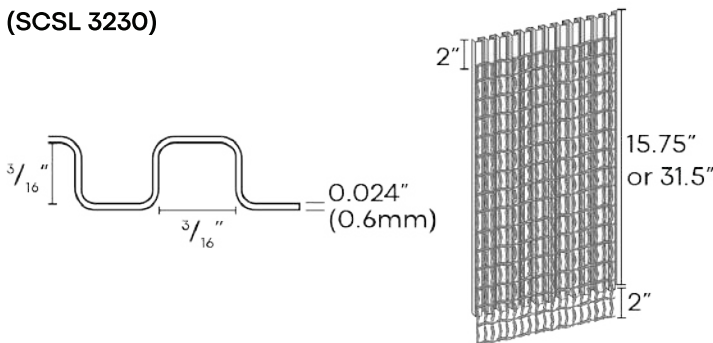
Fire Rating ASTM E84, Class A / Class 1

Fungi Resistance Does not support fungal growth (ASTM C 1338)

Complete testing reports can be found at MTIdry.com/mti-product-testing

Sure Cavity Stucco Lath®

(SCSL 3230)



SCSL 3230

Depth (drainage gap) 3/16 in. (5mm)

Roll Length 30 ft

Roll Width 31.5 in

Roll Coverage 78 ft²

Pallet 2,496 ft²

Questions about application, installation, or ordering?

MTIdry.com/mti-product/sure-cavity-stucco-lath

