

Material:		Designation:		Visa:
01	D2 = 4677 hull 20 on	03/11/02	SCALE: TOL.GEN.:	
			STANDING RIGGING KIT -FORESTAY (1coil+1box) F36.7	
			Beneteau USA INC. 1313 HIGHWAY 76 WEST PO DRAWER 1218 MARION, SC 29571 Tel. (843) 423-4201 - Fax. (843) 423-4912	Approved: By:
Ind. Modification Par Dates				Weight: Lb
Ce document est notre propriete, il ne pourra etre reproduit ou communique sans notre autorisation.				N:08020180

ROD EYE
5/8" HOLE
G100-012
14525
14438

-12
ROD

CONTROL LENGTH
14240mm
46ft 8 5/8in

5/8" ROD STUD
ND90-1220

5/8" TURNBUCKLE
WITH TOSGLE
5/8" PIN
674-002020

00062
00000

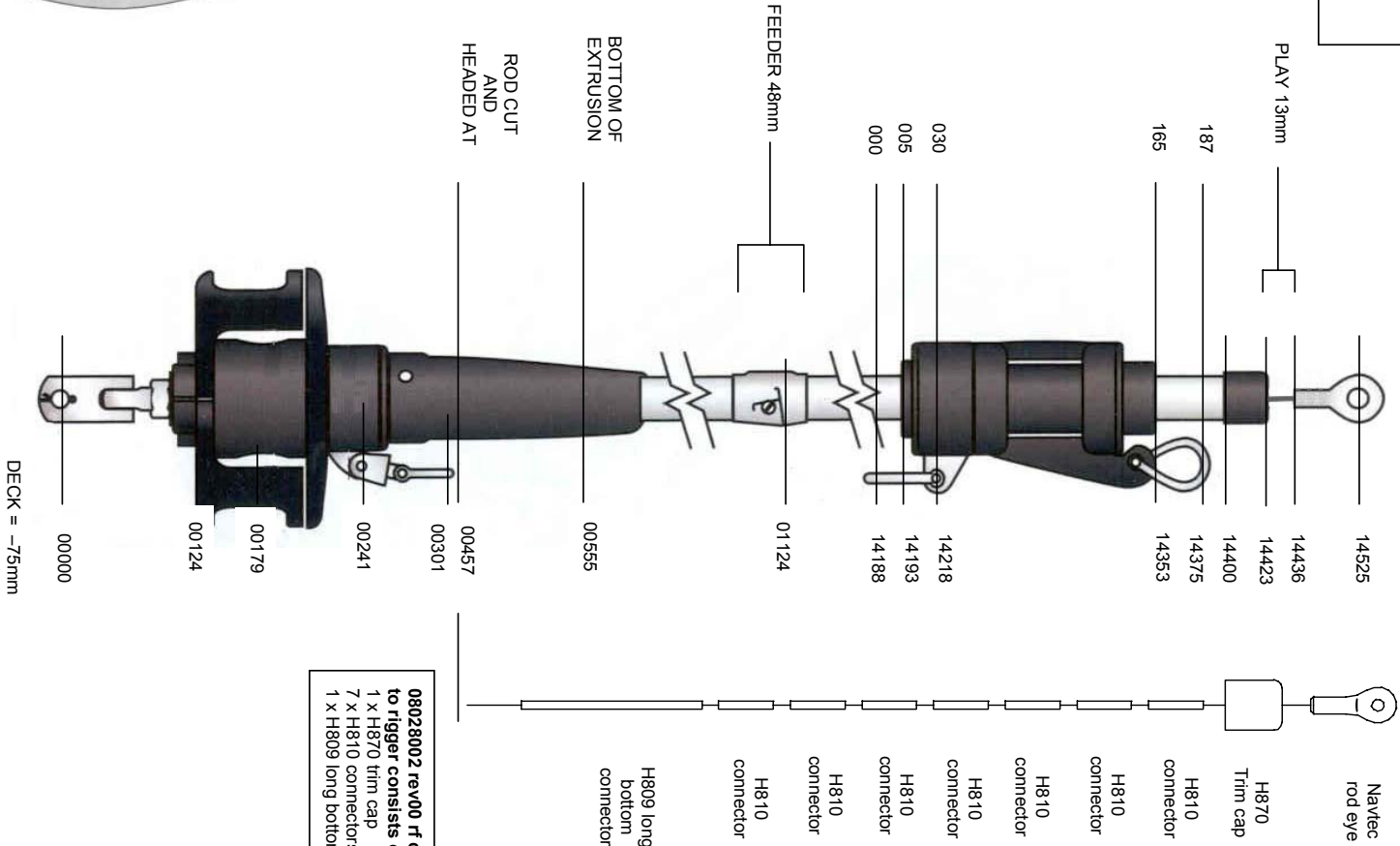
FORESTAY

Material:		Designation:		Visa:	
		SCALE:	TOL.GEN.:		
		FORESTAY FOR TUFF-LUFF F36.7		Designed:	10/12/01
		Beneteau USA INC.		By: BADB	
		1313 HIGHWAY 76 WEST		Approved:	
		PO DRAWER 1218 MARION, SC 29571		Weight:	Lb
		Tel. (843) 423-4201 - Fax. (843) 423-4912		N°:	08020181
Ind	Modification	Par	Dates		

Ce document est notre propriété. Il ne pourra être reproduit ou communiqué sans notre autorisation.

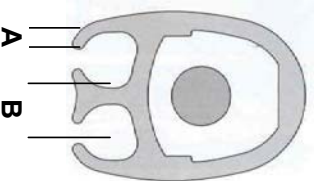
OPTIONAL HARKEN FURLING SYSTEM

MAKE: Harken
 MODEL: Mkill Unit 1.5
 NUMBER OF EXTRUSIONS:
 1x406 + 6x2134 + 1x610
 FORESTAY: -12 rod



**08028002 rev00 rf connector kit
 to rigger consists of:-**
 1 x H870 trim cap
 7 x H810 connectors
 1 x H809 long bottom connector

DIMENSION (mm)	A	B
LUFF GROOVE	2.4	6.3
FEEDER	2.4	6.3



Part number: 08028000 rev 00 drum kit
 08028001 rev 00 extrusion kit
 08028002 rev 00 rf connector kit to rigger