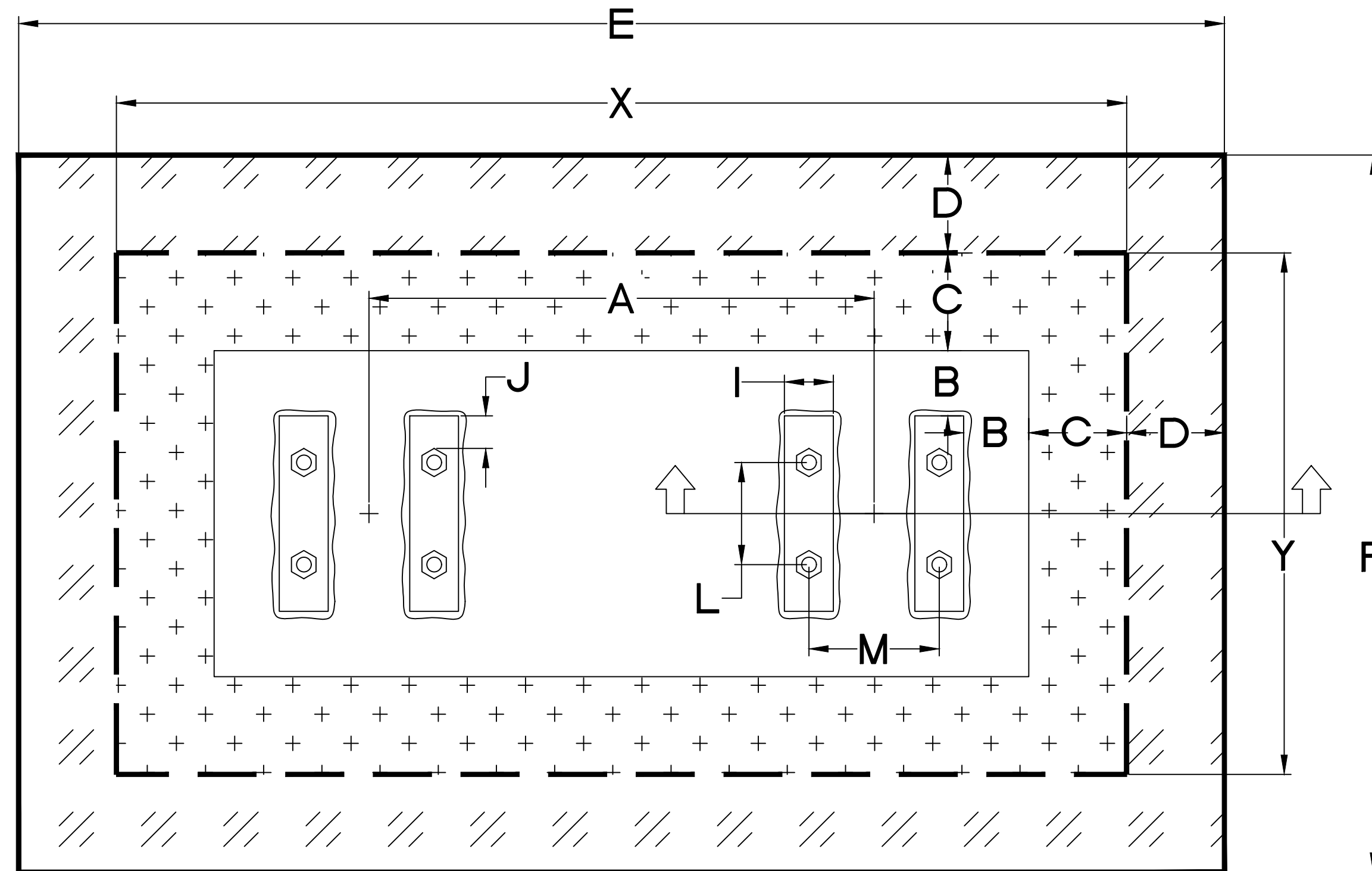


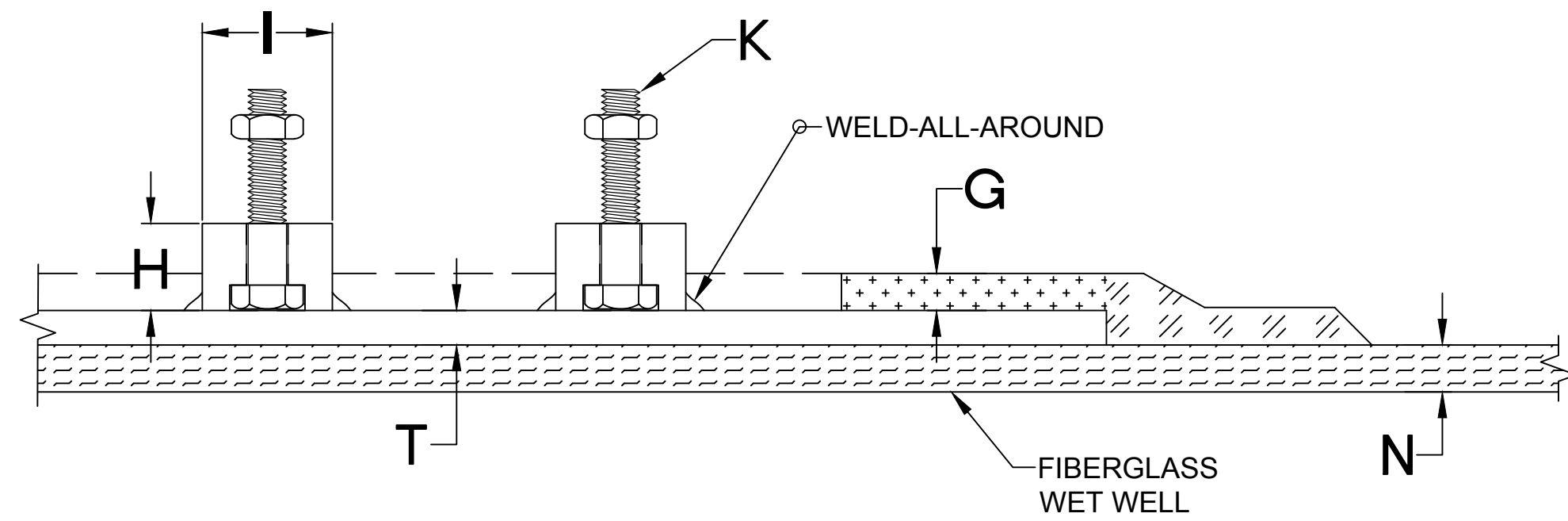
**Instructions:**

For design plans, include this sheet as shown.

For construction plans, EOR shall complete the tables on this sheet and follow instructions.



TOP VIEW



SECTION

**BASEPLATE DETAIL**

NOT TO SCALE

ITEM	*MANUFACTURER PROVIDED	ECUA MINIMUMS	ITEM DESCRIPTION/NOTES
T	XX	3/8 INCH THICK	316 S.S. BASEPLATE, SINGLE SHEET
X	XX	SEE NOTE 3	OVERALL BASEPLATE LENGTH, INCHES
Y	XX	SEE NOTE 3	OVERALL BASEPLATE WIDTH, INCHES
A	XX	SEE NOTE 3 & 7	CENTERLINE PUMP SPACING
B	XX	4 INCHES	CLEARANCE FROM BAR STOCK TO LAMINATION
C	XX	SEE NOTE 3	LAMINATION OVER S.S. BASEPLATE, INCHES
D	XX	SEE NOTE 3	LAMINATION OVER BOTTOM OF WETWELL, INCHES
E	XX	SEE NOTE 3	OVERALL LAMINATION LENGTH, INCHES
F	XX	SEE NOTE 3	OVERALL LAMINATION WIDTH, INCHES
G	XX	SEE NOTE 3	LAMINATION THICKNESS, INCHES
H	XX	2 INCHES	316 S.S. BAR STOCK THICKNESS
I	XX	3 INCHES	316 S.S. BAR STOCK WIDTH
J	XX	2 INCHES	END OF BAR STOCK TO EDGE OF BOLT HOLE
K	XX	SEE NOTE 3	ANCHOR BOLTS/NUTS, 316 S.S.
L	XX	SEE NOTE 3	BOLT SPACING IN BAR STOCK
M	XX	SEE NOTE 3	BAR STOCK SPACING
N	XX	SEE NOTE 3	WET WELL BOTTOM THICKNESS
* SEE NOTE 3			

**INSTRUCTIONS TO CONTRACTOR/SUPPLIERS ON HOW TO USE THIS BASEPLATE DETAIL**

1. EACH STATION HAS THE POSSIBILITY FOR NUMEROUS COMBINATIONS OF SUPPLIERS FOR WETWELLS, PUMPS, BASE ELBOWS, ETC., TO INCLUDE VARYING LAYOUTS AND POSITIONING OF PUMPS, HATCHES, PIPING, ETC. ECUA HAS THEREFORE SUPPLIED ITS MINIMUM STANDARDS FOR A SINGLE BASEPLATE TO BE MOUNTED ON THE INSIDE BOTTOM OF FIBERGLASS WETWELLS TO ALLOW FOR SECURE AND LASTING ATTACHMENT OF BASE ELBOWS TO WET WELL BOTTOM.
2. SHOULD THE CONTRACTOR/SUPPLIERS DETERMINE ANY OF ECUA'S MINIMUM STANDARDS ARE INSUFFICIENT, THEN CONTRACTOR SHALL HAVE ENGINEERED CALCULATIONS PERFORMED AND MAKE RECOMMENDATIONS OF HIGHER STANDARDS.
3. THE CONTRACTOR/SUPPLIERS SHALL COMPLETE THIS DETAIL BY PROVIDING THEIR OWN DIMENSIONS AND OTHER REQUIREMENTS SPECIFIC TO EACH LIFT STATION PROJECT.
4. THE CALCULATIONS, DIMENSIONS, ETC. AS NOTED IN #1 AND #3 ABOVE SHALL BE PRESENTED IN THE WET WELL CALCULATIONS (SEE NOTE #5 BELOW) PERFORMED BY A P.E. (SEE SECTION 2577, ECUA ENGINEERING MANUAL). THIS DETAIL SHALL BE COMPLETED AND SUBMITTED IN THE FORM OF A SHOP DRAWING SUBMITTAL FOR REVIEW. THE COMPLETED DETAIL/SHOP DRAWINGS SHALL MATCH THE CALCULATIONS.
5. WET WELL CALCULATIONS SHALL HAVE A SECTION EXCLUSIVELY DEDICATED TO BASEPLATE DESIGN. THEY SHALL AT A MINIMUM, INCLUDE CALCULATIONS THAT PROVE THE BASEPLATE AND FASTENING SYSTEM DESIGNED (I.E. FIBERGLASS OVERLAY) IS SUFFICIENT WITH RESPECT TO ACCOMMODATING PUMP/PIPE WEIGHT, PUMP THRUST, LOCKED ROTOR CONDITIONS, ETC.
6. THE CONTRACTOR/SUPPLIER DESIGNED BASEPLATE SHALL BE COVERED UNDER THE 20 YEAR WARRANTY FOR FIBERGLASS WETWELLS. (SEE SECTION 2577, ECUA ENGINEERING MANUAL)
7. CONSULT THE INFORMATION BELOW WHEN DETERMINING PUMP SPACING:

RISER PIPE DIAMETER [IN.]	CENTERLINE SPACING FOR RISER PIPING BASED ON ABOVE GROUND F.M. HEADER/FITTINGS MANIFOLD			**PUMP SPACING	
	NO SPOOL PIECES	*8 IN. SPOOL PIECE	STANDARD TEE SPOOL PIECE	MIN. PER MANUFACTURER	DIMENSION 'A' FROM CHART
4	≈ 26 IN.	≈ 34 IN.	≈ 39 IN.	XX	XX
6	≈ 32 IN.	≈ 40 IN.	≈ 48 IN.	XX	XX
8	≈ 36 IN.	≈ 44 IN.	≈ 54 IN.	XX	XX

\* 8 IN. MINIMUM ASSUMED FOR ACCESSIBILITY / MAINTENANCE  
 \*\* SEE NOTE 3

SEE NOTE #10 ON SHEET DS-0.1

