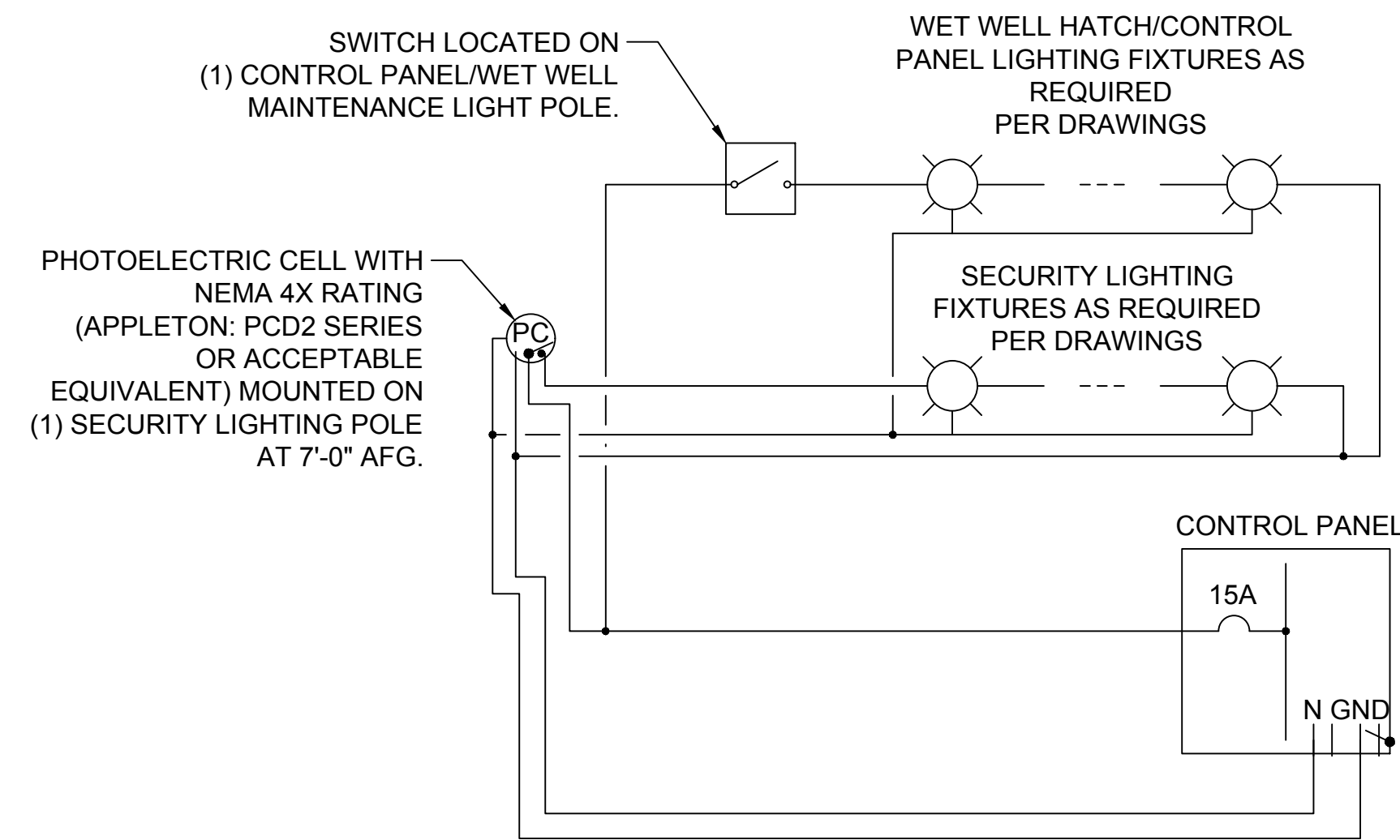
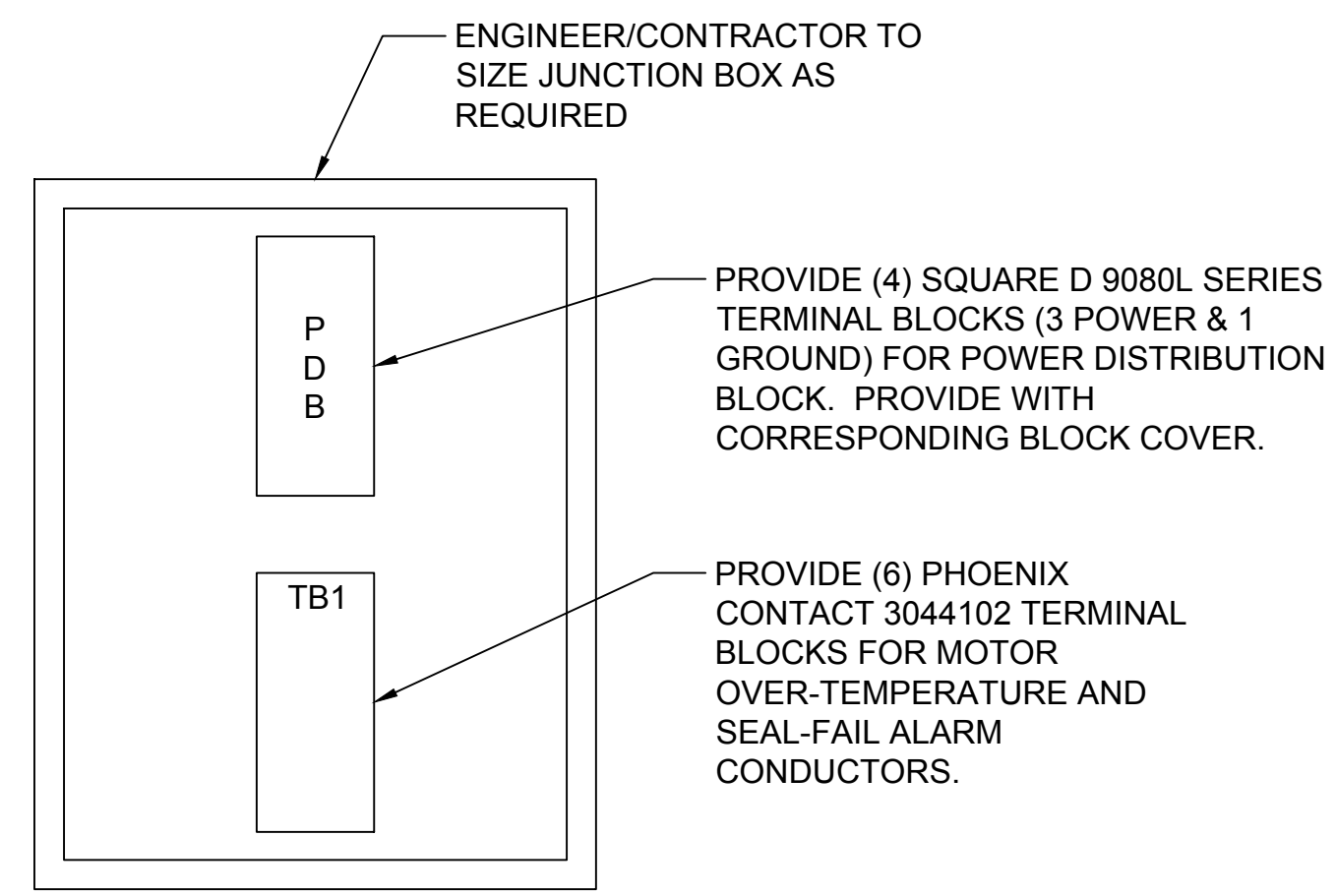
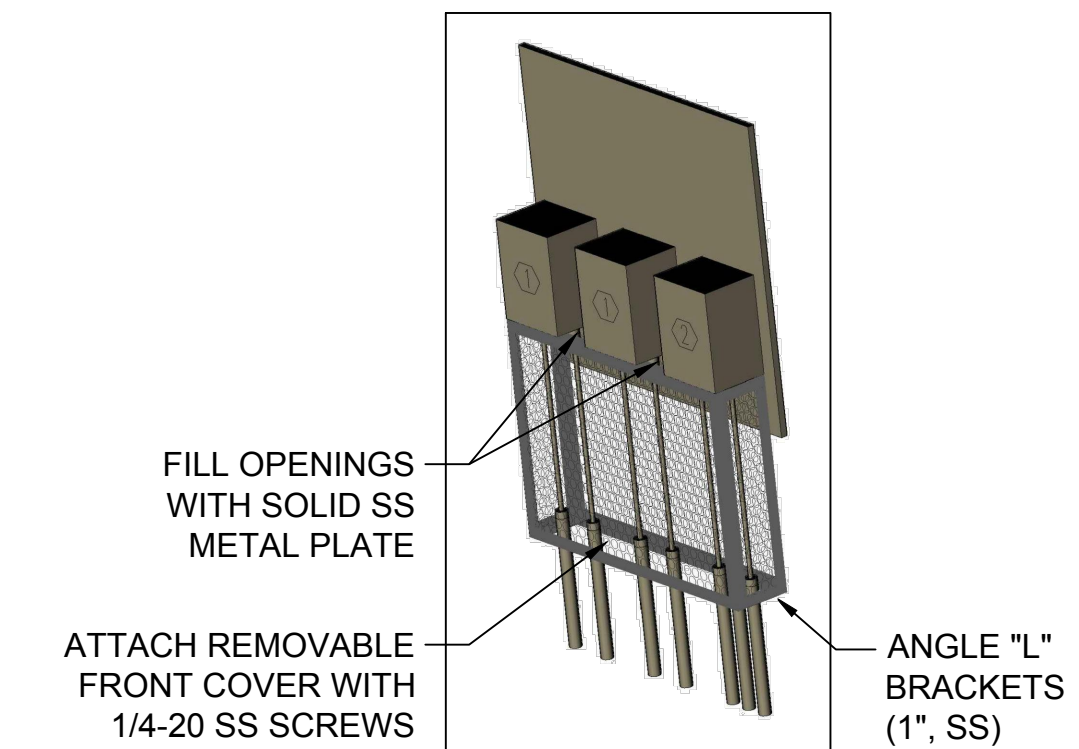


**Instructions:**  
Include this sheet as shown.



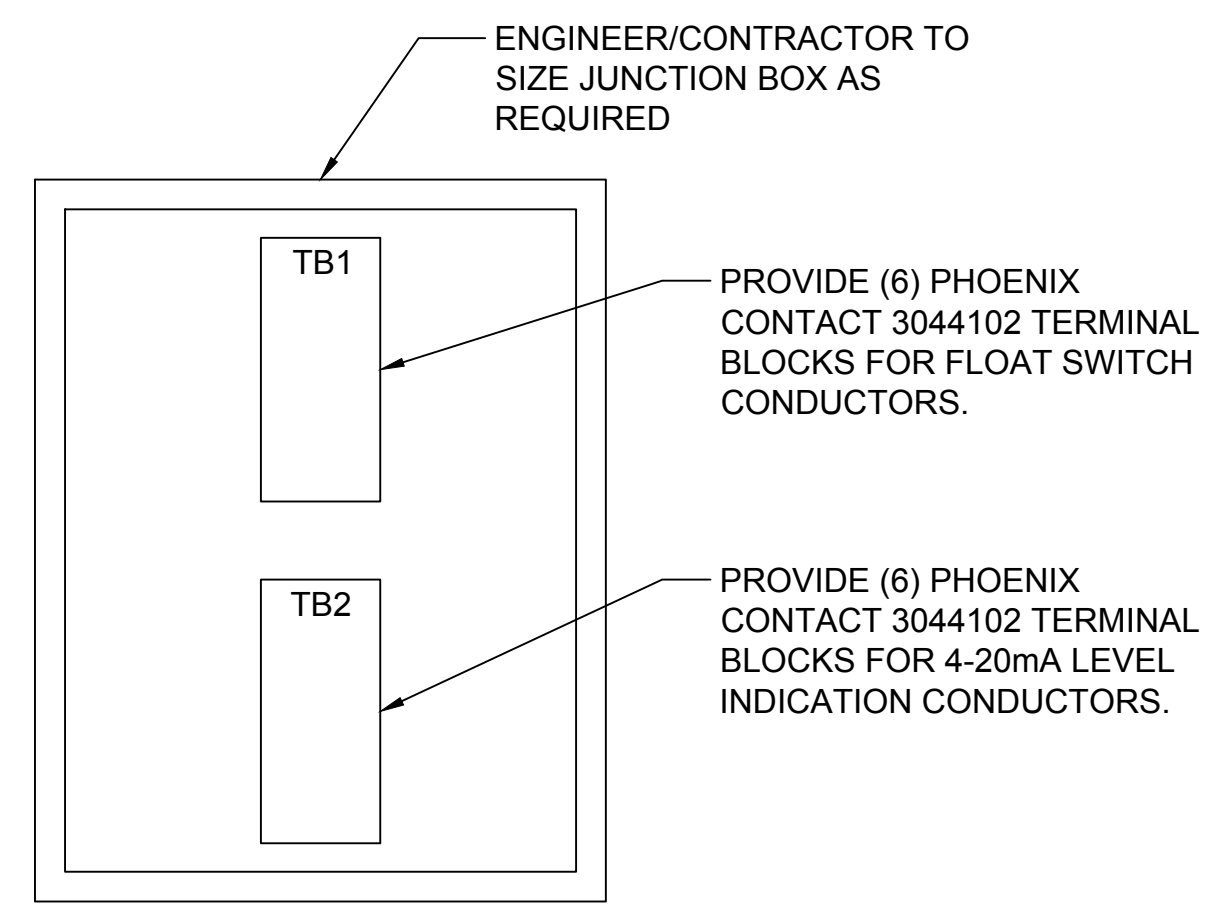
**DS-7**  
**1**  
**TYPICAL LIGHTING CONTROL DIAGRAM**  
NOT TO SCALE

- DETAIL NOTES:**
- THIS DETAIL SHALL ONLY APPLY WHEN THE CONTROL PANEL CANNOT BE PLACED WITHIN 10'-0" OF THE WET WELL TO ALLOW FOR CONNECTION OF STANDARD 50 FOOT PUMP CABLE CONNECTIONS.
  - BACKBOARD SHALL BE PLACED AT THE EDGE OF THE WET WELL SLAB BETWEEN THE WET WELL AND CONTROL PANEL.
  - JUNCTION BOXES SHALL BE MOUNTED SUCH THAT THEY ARE FACING THE WET WELL.
  - ENGINEER/CONTRACTOR SHALL SIZE JUNCTION BOXES AND BACKBOARDS BASED UPON INSTALLATION REQUIREMENTS PROVIDED AT TIME OF DESIGN.
- KEY NOTES:**
- REFER TO "TYPICAL PUMP JUNCTION BOX ELEVATION" (THIS SHEET) FOR ADDITIONAL REQUIREMENTS.
  - REFER TO "TYPICAL LEVEL INDICATION JUNCTION BOX ELEVATION" (THIS SHEET) FOR ADDITIONAL REQUIREMENTS.



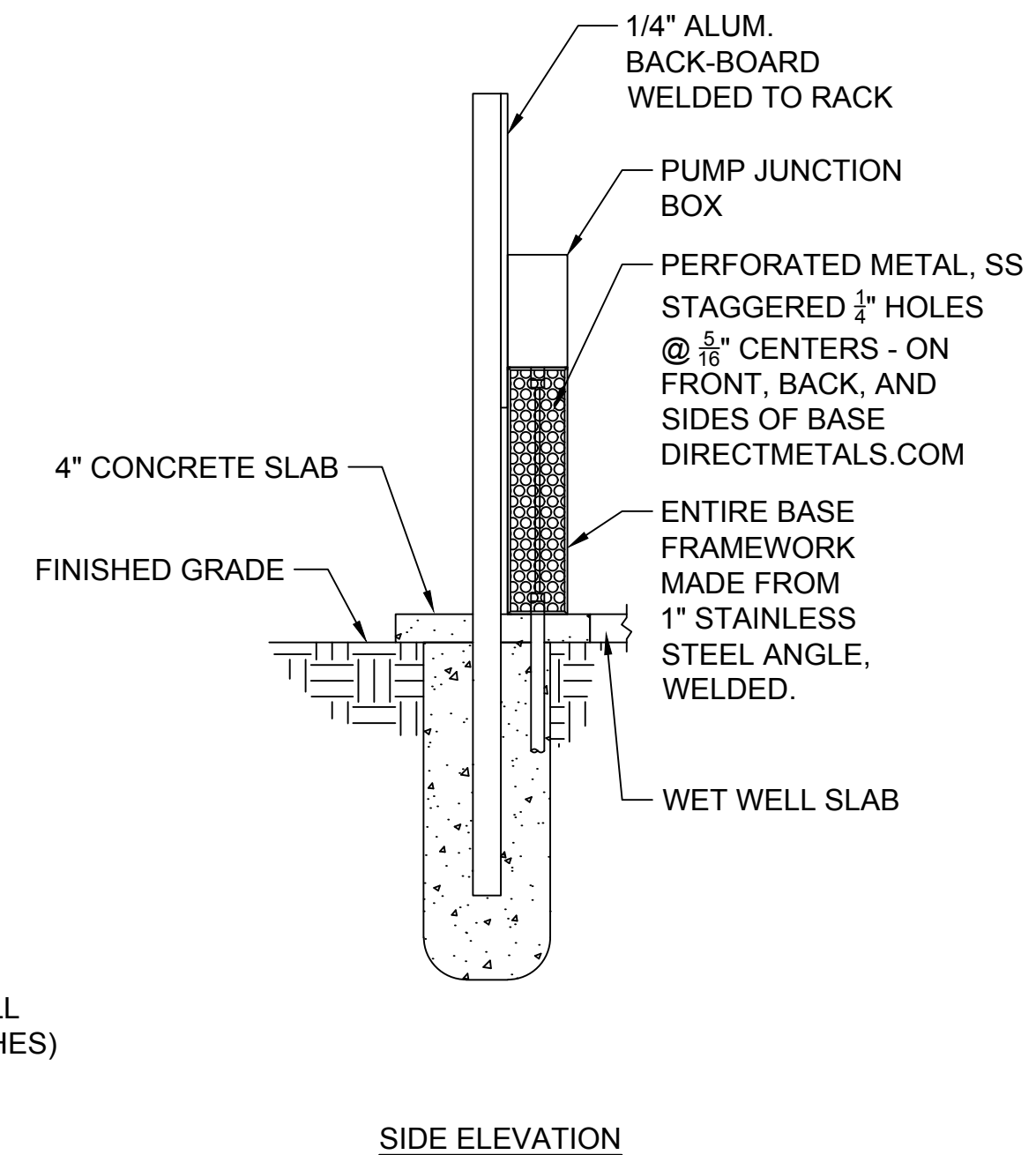
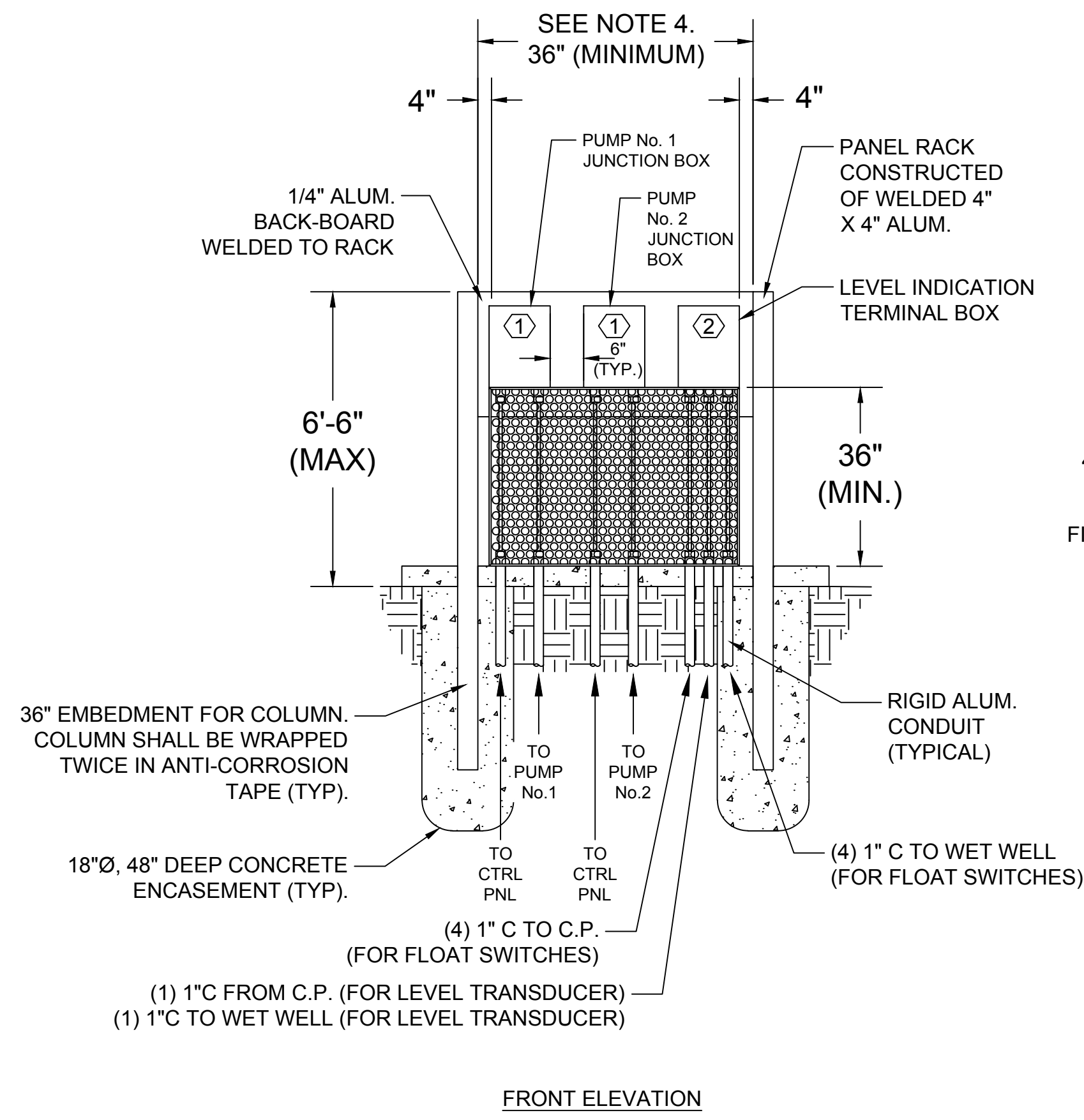
- DETAIL NOTES:**
- ALL TERMINAL BLOCKS SHALL BE PROVIDED WITH CORRESPONDING END BRACKETS AND END COVERS.
  - PROVIDE SEPARATE GROUND LUG IN EACH JUNCTION BOX, BONDED TO JUNCTION BOX.

**DS-7**  
**2**  
**TYPICAL PUMP JUNCTION BOX ELEVATION**  
NOT TO SCALE



- DETAIL NOTES:**
- ALL TERMINAL BLOCKS SHALL BE PROVIDED WITH CORRESPONDING END BRACKETS AND END COVERS.
  - PROVIDE SEPARATE GROUND LUG IN EACH JUNCTION BOX, BONDED TO JUNCTION BOX.

**DS-7**  
**3**  
**TYPICAL LEVEL INDICATION JUNCTION BOX ELEVATION**  
NOT TO SCALE



**DS-7**  
**4**  
**TYPICAL PUMP JUNCTION BOXES**  
NOT TO SCALE

Site-Civil-Mechanical Details4.dwg



SHEET NO.  
DS-7

DATE: 9/01/2016

SEE NOTE #10 ON SHEET DS-0.1