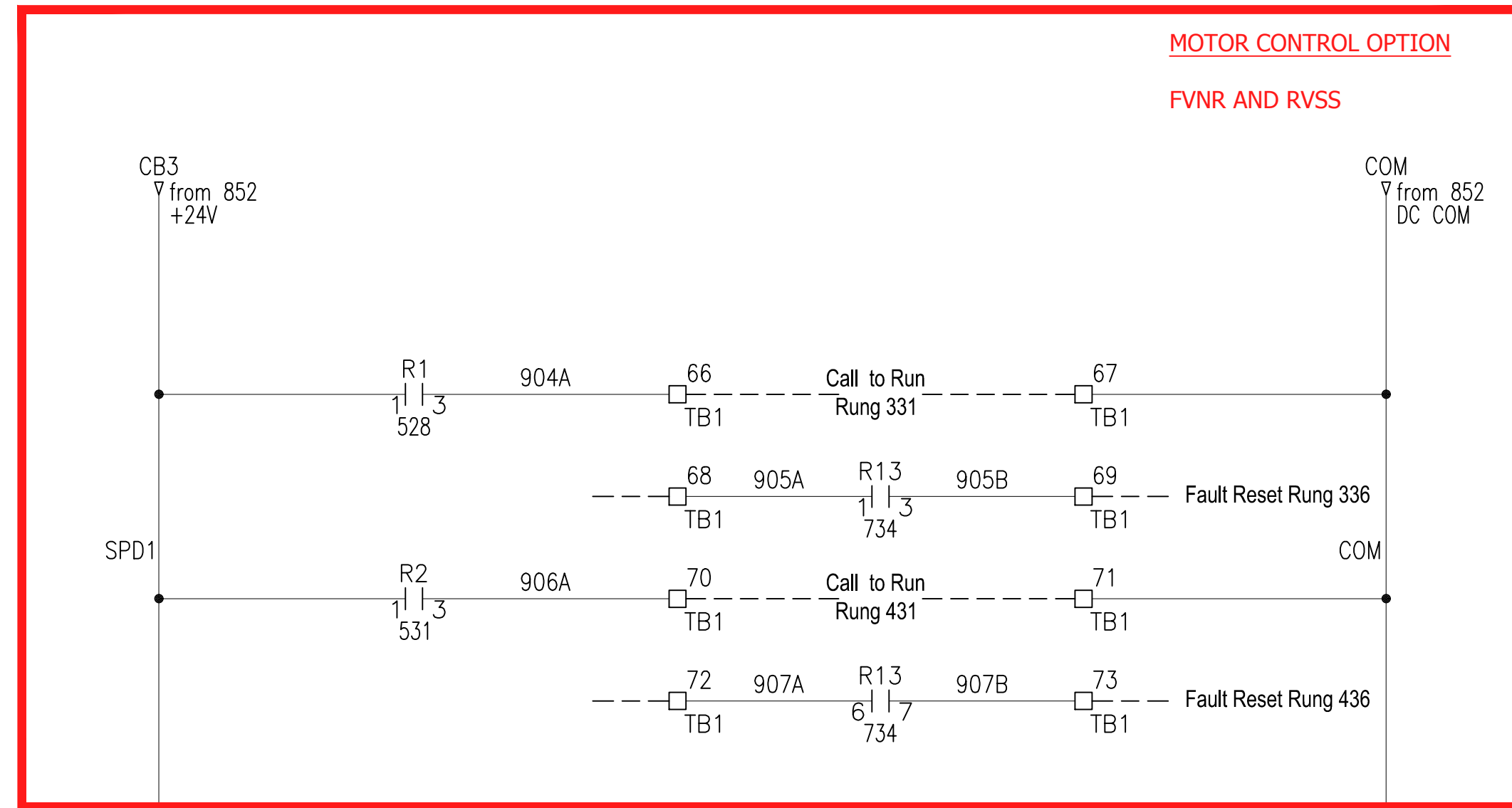
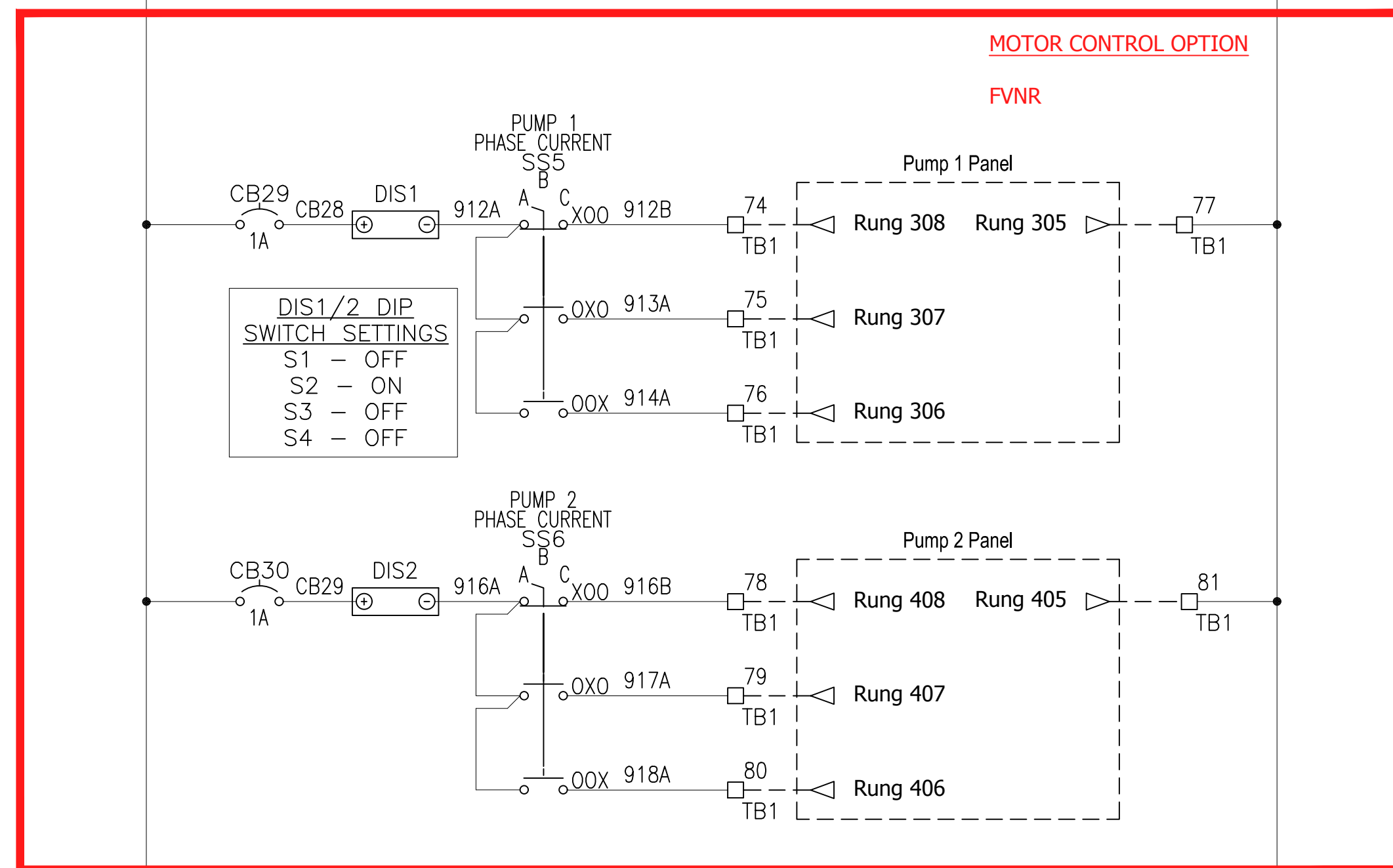


901
902
903
904
905
906
907
908
909
910
911
912
913
914
915
916
917
918
919
920
921
922
923
924
925
926



927
928
929
930
931
932
933
934
935
936
937
938
939
940
941
942
943
944
945
946
947
948
949
950
951
952

Instructions:
Include the appropriate Motor Control based on Motor Starter Type.



Control Panel - Motor Control - FVNR & RVSS.dwg



SHEET NO.
DS-26.1

DATE: 9/01/2016

SEE NOTE #10 ON SHEET DS-0.1