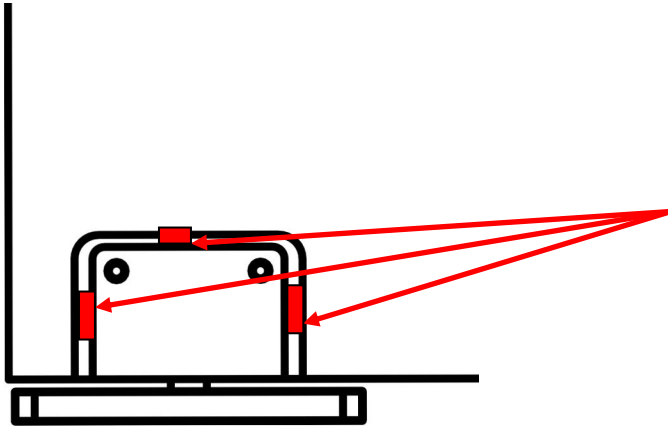


Appendix H—Hinge Shimming QCI5281

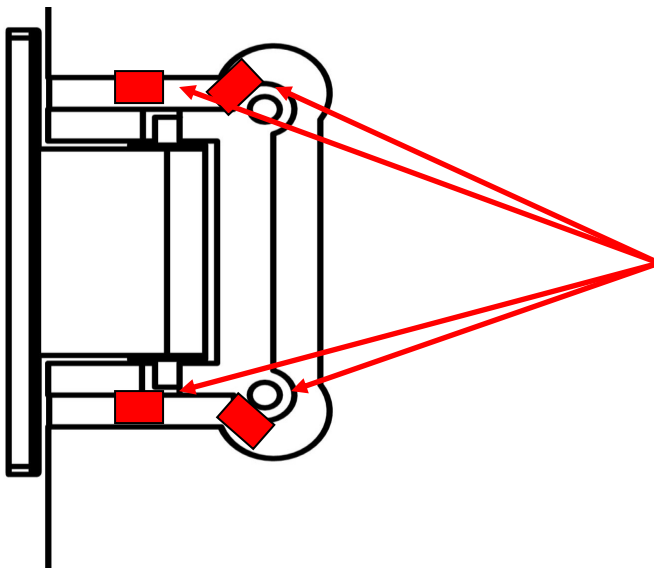
Process for Shimming Hinges (to prevent revisits due to slippage)



On a door with top and bottom pivot hinges:

- 1) Adjust the door so that the gap on both sides of the door is set at $3/16$ " and the correct bottom gap.
 - $3/8$ " doors need $7/16$ " gap
 - $1/2$ " doors need $9/16$ " gap

- 2) Remove one back plate at a time and fill gap between the hinge and the glass with shims supplied in parts pack. Make sure to shim both



On a door with wall mount or glass to glass hinges:

- 1) Adjust the door so that the gap on both sides of the door is set at $3/16$ " and the bottom gap is $7/16$ "

- 2) Remove one back plate at a time and fill gaps surrounding hinge with shims supplied in parts pack. Make sure to shim both hinges and use combination of shim thicknesses to fill entire gap.