

Frameless Inline Door

QCI5254

FRAMELESS DOOR / PANEL



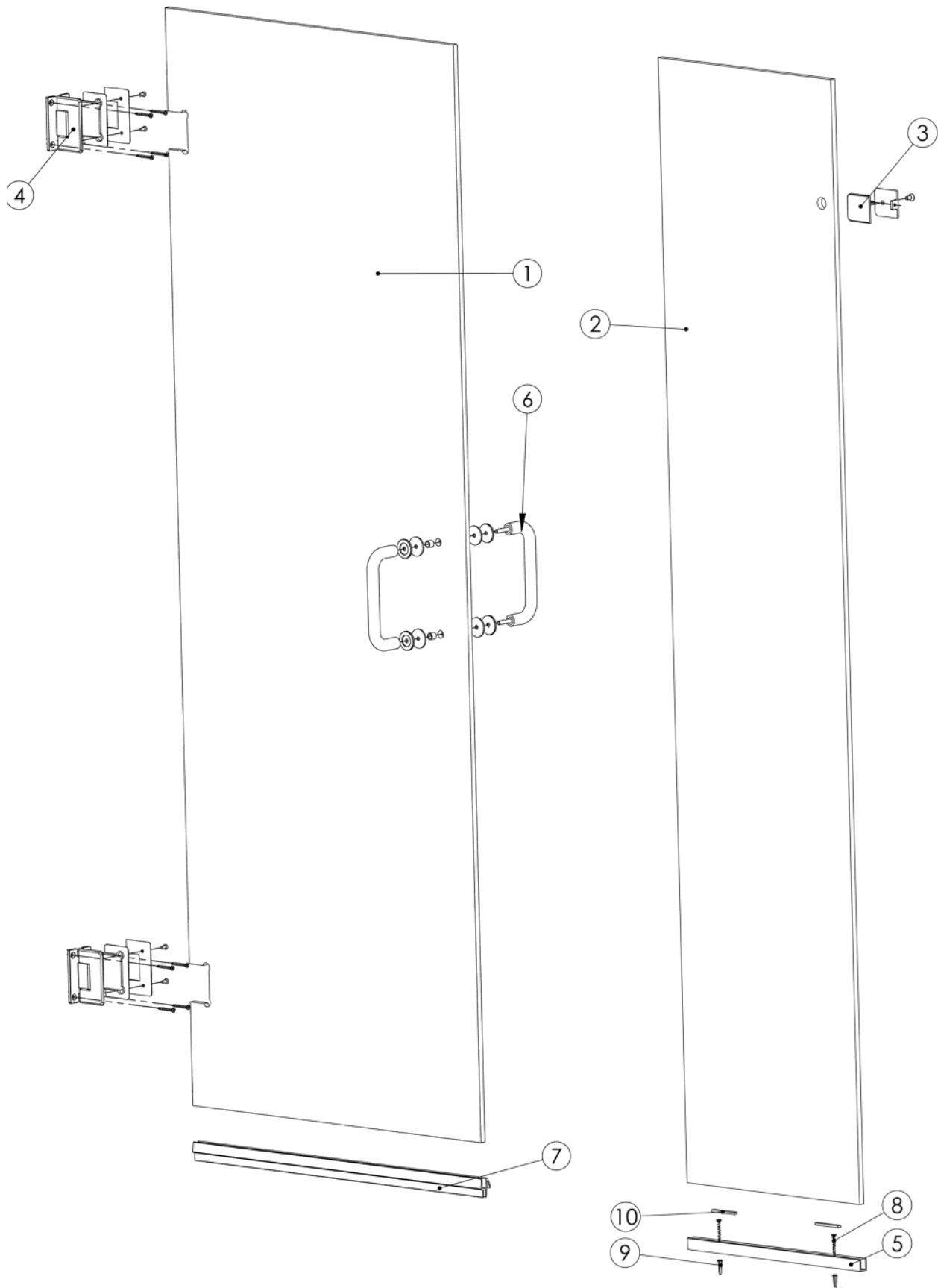
Parts List

with wall mount hinges

ITEM NO.	DESCRIPTION	QTY.
1	GLASS DOOR	1
2	FIXED GLASS PANEL	1
3	ETCHED WALL MOUNT HINGE	1
4	WALL MOUNT HINGE	1
5	U-CHANNEL	1
6	WALL MOUNT CLAMP	1
7	PULL	1
8	VINYL BOTTOM SWEEP	1
9	#8 X 1 1/2 TRUSS HEAD SCREW	4
10	PLASTIC WALL ANCHOR	4
11	1/8 SETTING BLOCK	2

*Quantities may vary

Exploded View with wall mount hinges



Tools:

To install your New Shower Enclosure, you may need the following:

- Pencil
- Low Tack Tape
- Tape Measure
- 4' & 6' Levels
- #2 Phillips Screwdriver
- Drill
- 1/8" & 3/16" Drill Bit
- Center Punch
- Files
- Hack Saw
- Caulk Gun
- Clear Silicone Caulk
- Suction Cups

Safety Notes:

- This unit is best installed by two people.
- Handle the glass panels carefully and protect the edges. Safety tempered glass is very resistant to breakage, but the sharp corners of the panels can damage tile and flooring surfaces.
- The glass can break if unequal pressure is applied during installation.
- Please wear safety glasses whenever drilling or cutting. When drilling holes in ceramic tile or marble, use a center punch and hammer to carefully break the glazed surface to prevent skidding when drilling.

NOTE: Tempered glass cannot be cut.

Installation Notes:

- Proper blocking is required for every Heavy Glass unit prior to installation. At minimum 2x4 blocking is required at the location of any structural member of the unit including, but not limited to: hinges, clamps, and header brackets. All fasteners at these locations are required to be installed into the blocking.
- A minimum of 1 1/4" thread engagement is required of all fasteners into the blocking at these locations. Depending on the application the customer maybe required to supply the proper fasteners to ensure adequate engagement.
- U-Channel maybe installed using wall plugs where no backing is found.
- Use caution to not pierce plumbing or electric lines while installing door hardware.
- Cover the drain with tape prior to installation to prevent loss of small parts.
- Unpack your unit carefully and inspect for freight damage. Lay out and identify all parts using the instruction sheet as a reference. Before discarding the carton, check to see that no small hardware parts have fallen to the bottom of the box. If any parts are damaged or missing, refer to the description noted in the instructions when contacting your dealer for replacements.

Maintenance:

Two primary materials are used to manufacture your new shower enclosure: tempered glass and anodized aluminum. To assure a long lasting finish on the enclosure, wipe it down with a towel after each use.

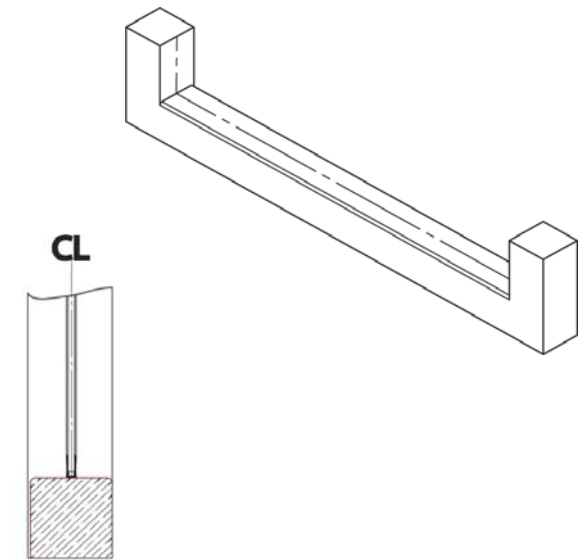
For occasional, more concentrated cleaning efforts, we find that **Lysol® Non-Abrasive Bathroom Cleaner** works extremely well. Be sure that any over spray falling on the aluminum frame is rinsed thoroughly and dried. Many over-the-counter cleaners, if applied to the aluminum and left on, will harm the metal finish and cause permanent damage even though their directions indicate safe use on shower doors. Never use a scouring agent to clean the aluminum.

For units with **AquaglideXP** please use Maintain spray from the maintenance on the glass. Please contact customer service for details and to purchase the maintenance kit.

If a continuous unit centerline does not exist from the original measuring process, it will be necessary to create one. Referencing the Measuring Guide included with this unit, lightly mark a continuous unit centerline on the threshold.

Next, mark a continuous unit centerline up each wall, starting where the threshold centerline meets the wall. Use a level to ensure the wall centerline is plumb and straight. The wall centerlines should be a minimum of the unit height from the threshold.

Note: Centerline (CL) is a term used to describe the center or mid-point of the unit. The position of the unit centerline can be located anywhere in the width of the threshold, as long as adequate structure exists beneath the centerline for fastening and the outer edges of the unit will not overhang the threshold. The most common unit centerline position is the middle of the threshold.



Unit Cross Section

Note: It is extremely important the unit centerline be continuous and straight to ensure proper installation.

Remove u-channels from the hardware box and countersink holes in the u-channels. Each piece of u-channel requires a minimum of two (2) screws, 3" from each end for lengths less than 18". Lengths 18" or greater also require screws approximately every 18"-24".

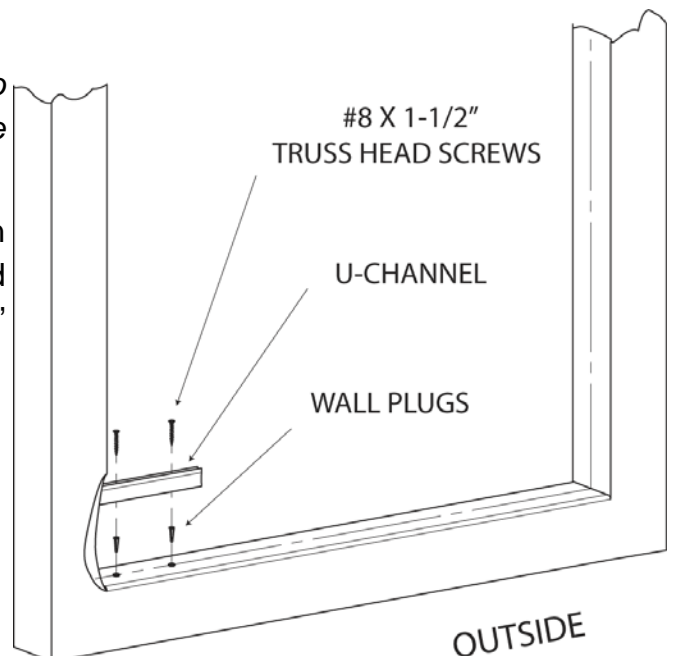
Each piece of u-channel is cut to length and mitered as necessary. Position each piece of u-channel along the threshold centerline and use low-tack tape to hold in place. Check that each piece of u-channel fits in location along the marked centerlines and mitered joints fit tightly.

In the even the u-channel doesn't fit properly, contact Technical Support.

If your unit was ordered with a notch panel, please see appendix "A" for supplemental installation instructions.

Reference the unit drawing shipped with the unit to determine where each stationary glass panel is to be located.

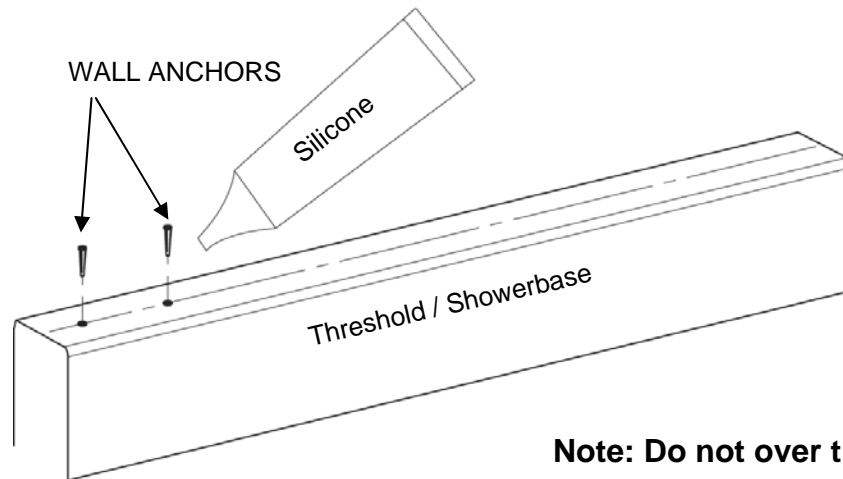
With a pencil, carefully mark each hole position on the threshold centerline. Remove the U-Channel and drill a 3/16" diameter hole, approximately 1-1/2" deep, at the marked locations.



Note: It is critical that the threshold U-Channel is centered on the centerline.

Insert a small amount of silicon into each drilled hole, then insert a wall anchor into each hole. (Note: Drill hole, then insert a wall anchor.) This must be done just before u-channel installation.

Carefully cut the heads off the wall anchors with a razor blade. Place the U-Channel in correct position and secure it with #8 x 1-1/2" truss head screws.

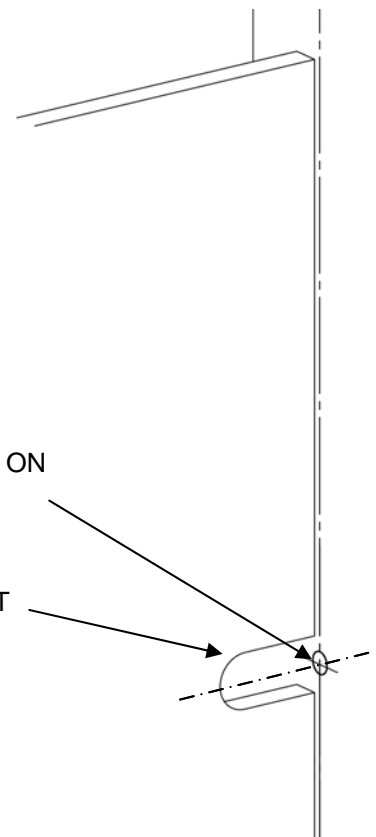


Note: Do not over tighten screws.

Place 1/8" setting blocks as shown or approximately every 18". **DO NOT** place setting blocks over screw heads. Using suction cups slide the Fixed Panel Glass into the appropriate side. Use setting blocks to make exposed edges of the glass level and plumb. Exposed edges **MUST** be level and plumb before moving to next step.

Using the glass clamp mounting slot on the Fixed Panel Glass as a guide, make a mark on the wall on center w/ the slot. Remove the Fixed Panel Glass and carefully set aside, leaving the setting blocks in position.

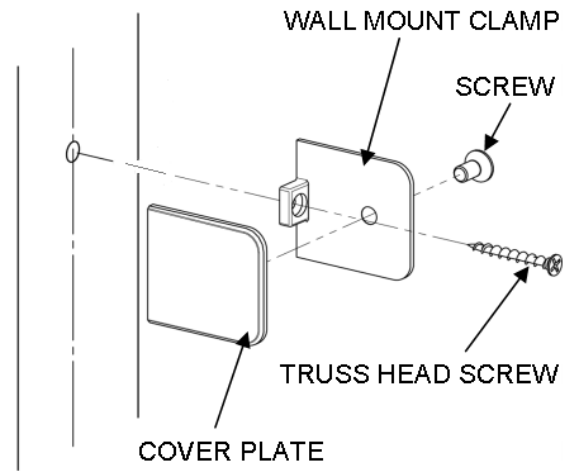
**Different size setting blocks may be required depending on level conditions. Various size setting blocks are provided and can be used in different combinations (stacked) to obtain the desired results.



Drill one 3/16" diameter hole at the mark just made. Drill through tile and backer board. Do not drill through blocking.

Note: This must be done just before Wall Mount Clamp installation.

Disassemble the Wall Mount Clamp, and place the cover plate and screw aside. Place the Wall Mount on the wall, with the finished side of the clamp plate toward the inside of the shower, and secure it to the wall with a #8 x 1-1/2" truss head screw.

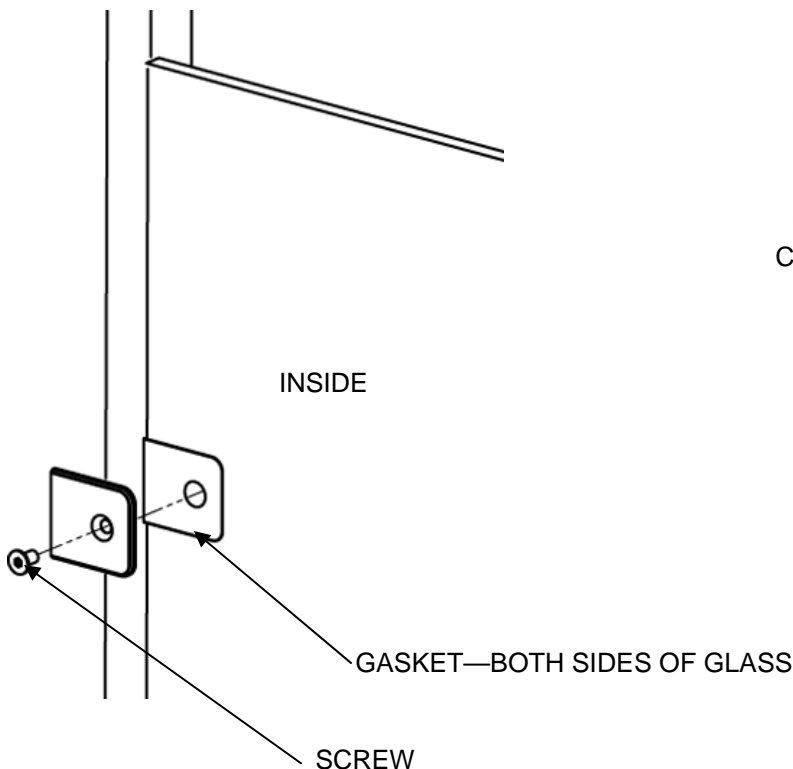
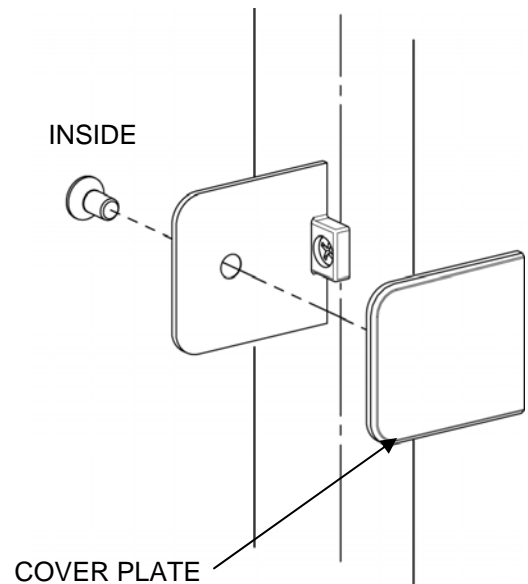


Note: Do not over tighten screw.

Using suction cups, set the Fixed Panel Glass back into position. Double check exposed edges of the glass are level and plumb.

Exposed edges **MUST** be level and plumb before moving to next step.

Place the clamp cover plate on the outside of the glass and secure from the inside w/ the screw provided.



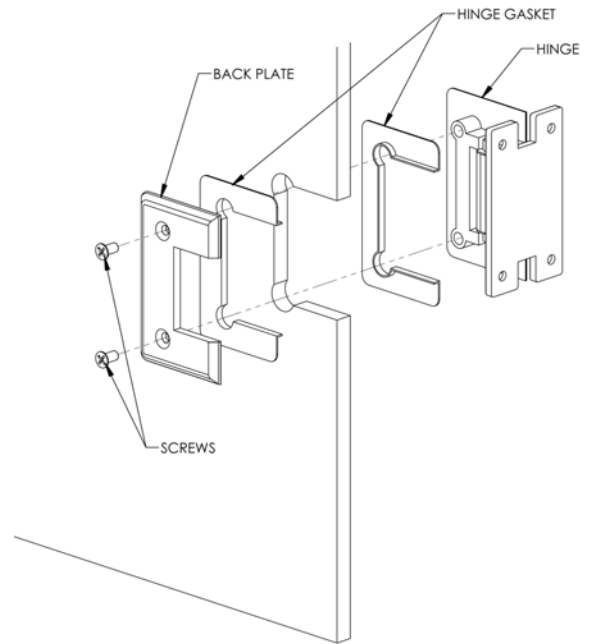
Using alcohol pads, wipe down the hinge notches and notch gasket areas on the Door Panel Glass. Allow glass to dry before continuing.

Remove the back plates from both Wall Mount Hinges. Place a gasket on the Hinge and place the fixed part of hinge onto the Fixed Panel Glass.

Note: The Hinge with the logo must be the top Hinge.

Next, place another gasket against the glass and attach the back plate with the screw provided. Interior of hinges must press firmly against top side of notch. Repeat on both Fixed Panel Glass notches and open the hinges outward.

NOTE: Your hinges may differ in external shape than what's shown. However, installation procedures are the same.



Proper structural backing is required for installation of any door panel. An example of proper backing is two (2) 2x4 studs back to back.

Failure to ensure proper backing may lead to damage or personal injury from improper installation

Place two 7/16" shims on the curb or threshold. These shims must remain in place throughout the installation process.

One person must position themselves inside the shower, and have an assistant on the outside. Together, lift the Door Panel Glass into the opening and set the panel on the shims. Align the panel on the threshold and wall centerlines.

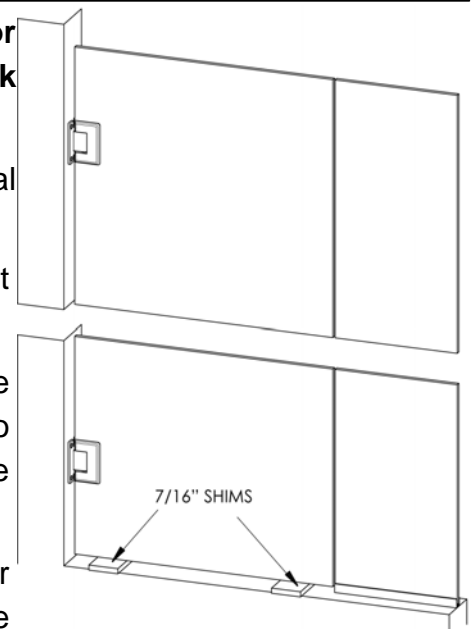
Once the door is positioned, set a 1/4" clearance between the Door Panel Glass and the wall. The door must be plumb to allow the hinge pins to align with one another.

With the door panel aligned and plumbed, mark the mounting hole locations for both wall mount hinges.

Remove the Door Panel Glass from the opening. Use the marks as a guide and drill 3/16" holes through the tile and/or backing material. Do not drill through the wood backing.

Drill a 1/8" pilot hole into the stud to allow the screw to seat properly. Place a small amount of silicone sealant into each hole.

Carefully move the Door Panel Glass back into the opening. Align the hinges with pre-drilled holes and carefully secure with the provided screws.



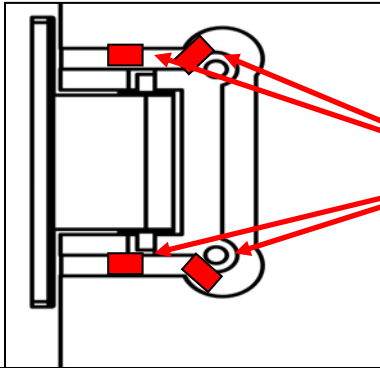
If interference exists, the hinges plates can be loosened to adjust gaps. The gap should be 1/4" on the hinge side, 3/16" on the strike side of the door; and 7/16" between the door and threshold at the highest point. Re-tighten all screws after final adjustment. If a hinge is scratched in the tightening process touch up paint may be used.

Note: The screws may begin to "creak" when fully tightened.

Carefully and slowly close the door and inspect the door panel gaps for interference.

Do not force door closed.

Use Caution to prevent the drill chuck from contacting the hinge.



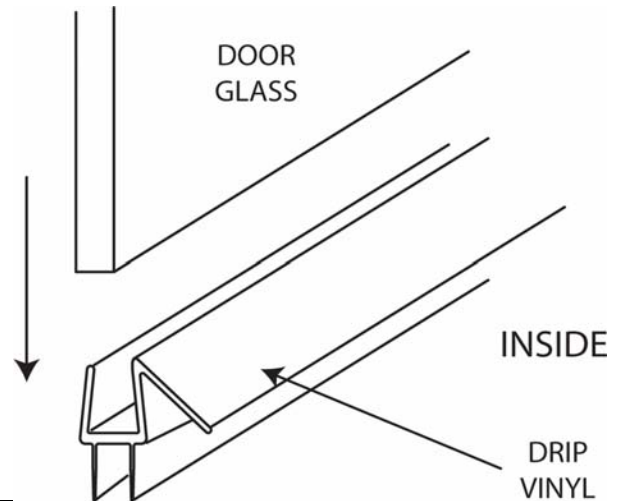
To prevent the door from sagging after final gap adjustment the hinge maybe shimmed to prevent movement.

Remove one back plate at a time and fill gaps (marked in the figure to the left) surrounding hinge with shims supplied in parts pack. Make sure to shim both hinges and use combination of shim thicknesses to fill entire gap.

Place the Drip Vinyl onto the bottom of the door panel. Line it up on the hinge side of the door and cut it off flush with the strike edge of the

NOTE: The sweep may be pulled up or down on the glass to adjust how much of the sweep contacts the threshold

TIP: Run a small bead of silicone between the drip vinyl and the glass to secure the vinyl sweep and prevent water from col-



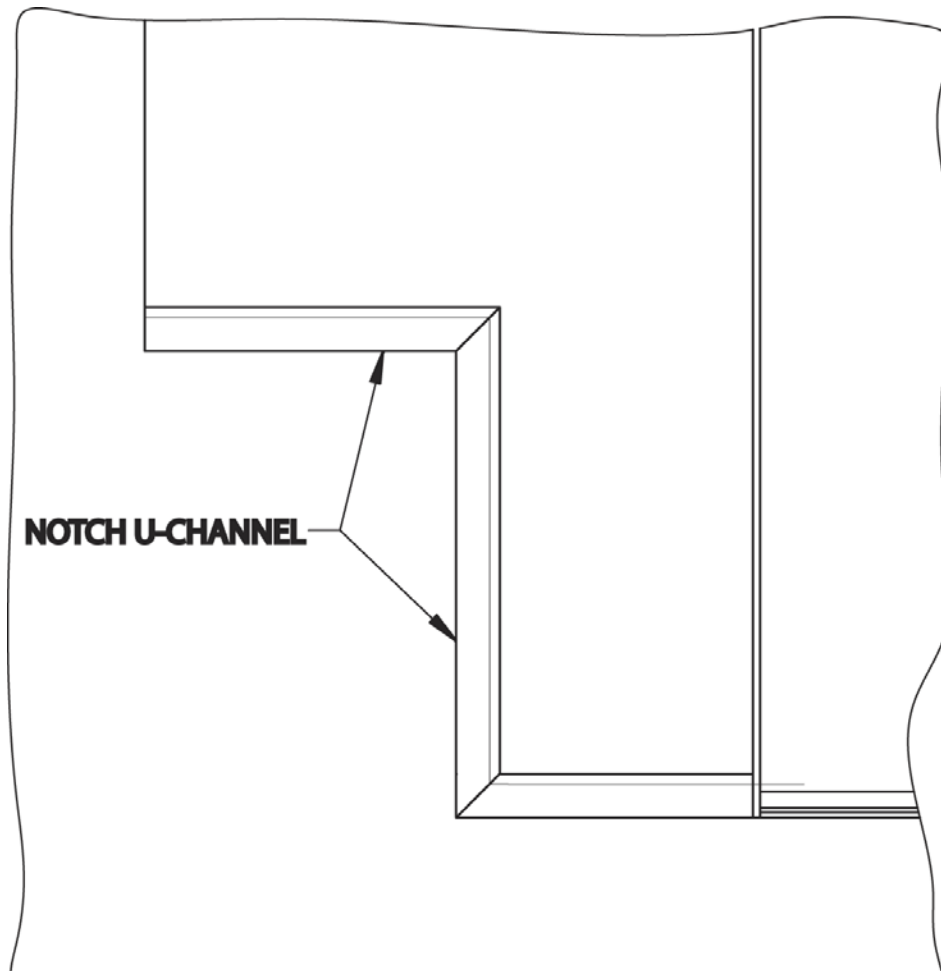
On the interior face of the glass, place a strip of low tack tape on the glass about 1/8" to 3/16" away from edge of the u-channel both vertically and horizontally. Run a small bead of silicone along this edge. Next, on the interior, run a bead of silicone between the u-channel and the threshold and also between the u-channel and the wall. After completing, remove the tape before silicone sets.



NOTE: DO NOT USE the shower until the silicone is completely cured. Check the tube of silicone for the manufacturer recommended cure time (typically 24 - 48 hours).

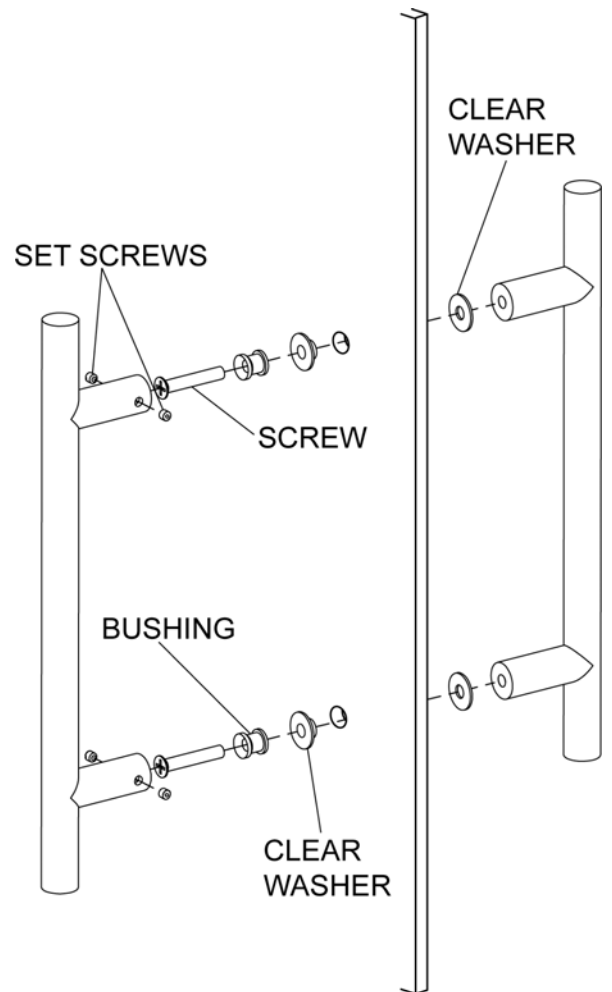
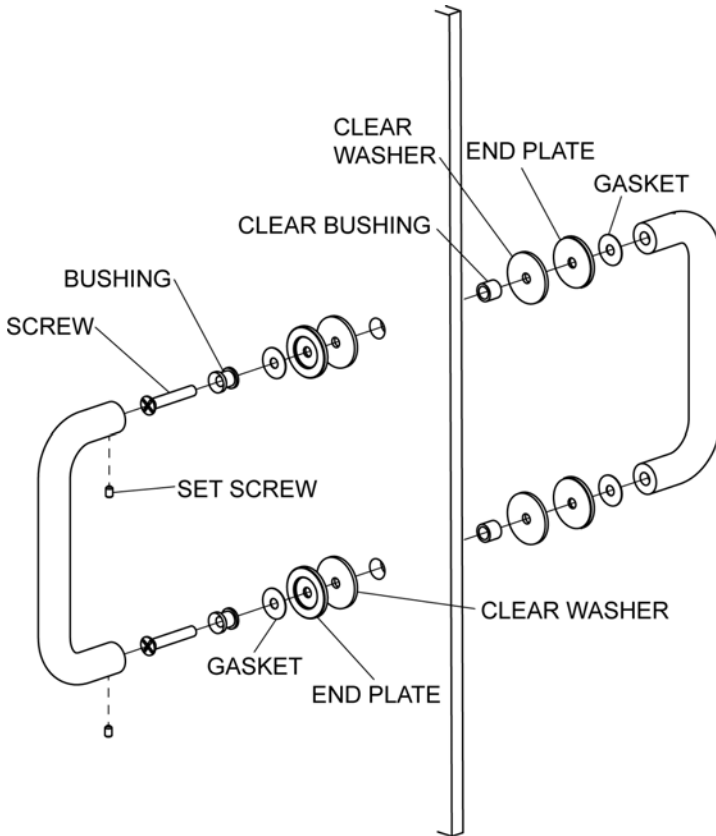
Appendix — A Notch Panel

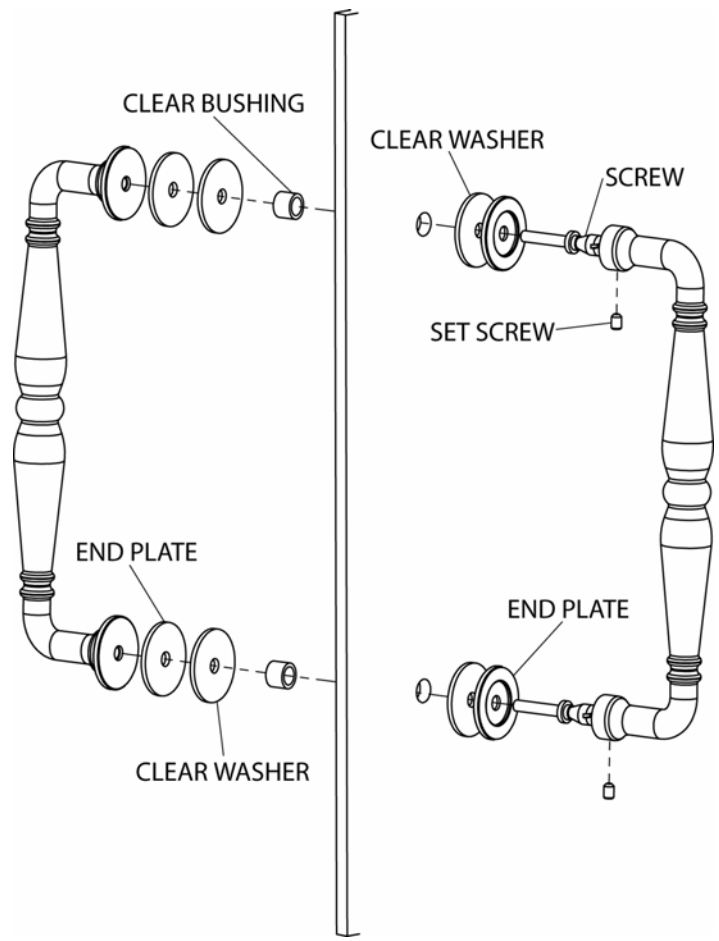
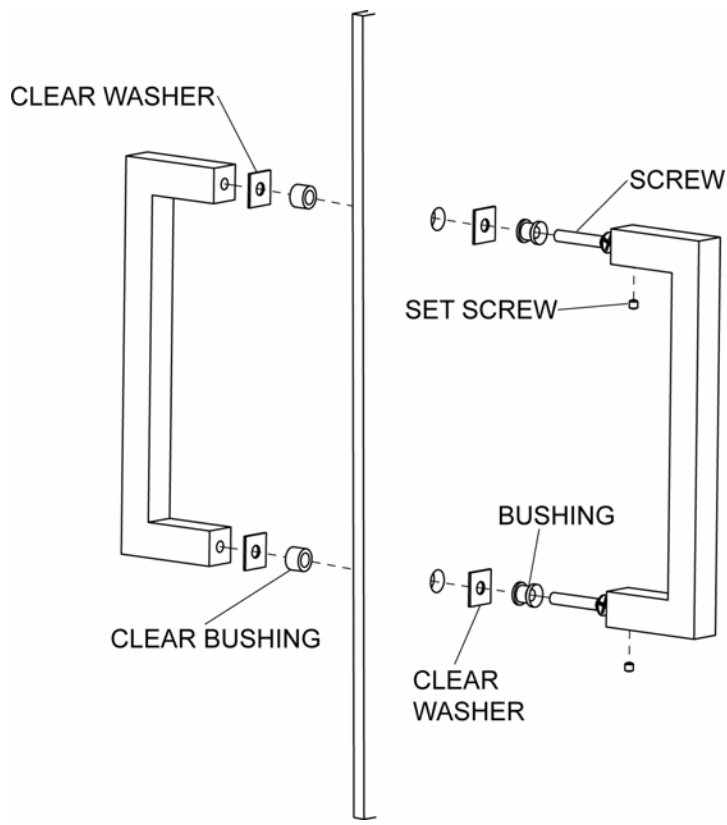
If your unit has been purchased with a notch panel option, two additional pre-cut pieces of u-channel will be provided. These two pieces of u-channel will be mitered and cut to size based on the opening dimensions provided with your order. Please follow the same instructions provided for mounting threshold and wall u-channels, to mount the notch panel u-channels. Below are illustrations to clarify the mounting orientations.

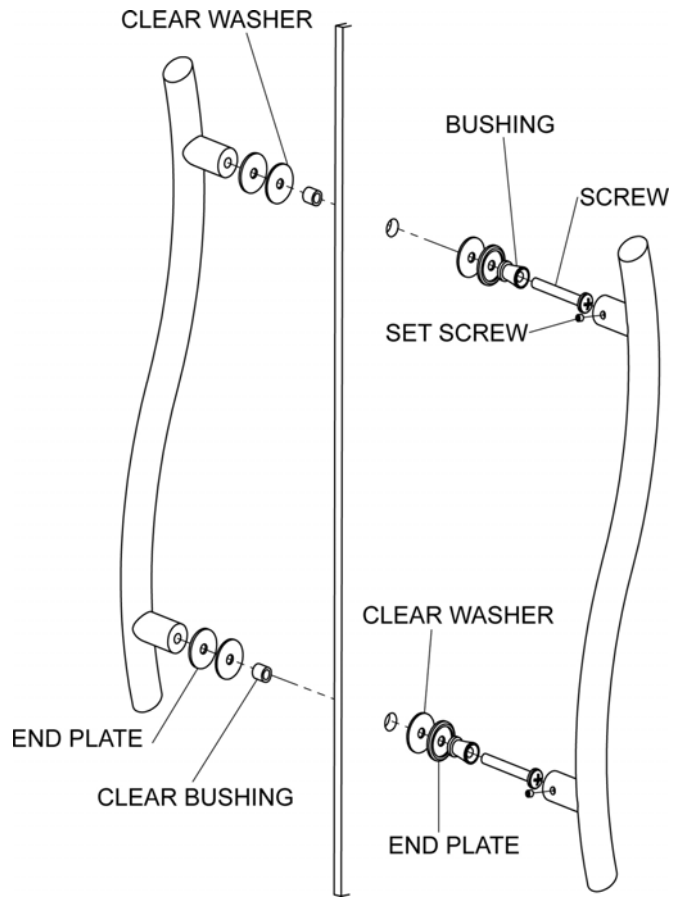


Installing Handles:

Assemble parts as shown. Screw washers, end plates, and gaskets into one side of the handle through the glass. Then align the other side of the handle onto the bushing and tighten the set screws.

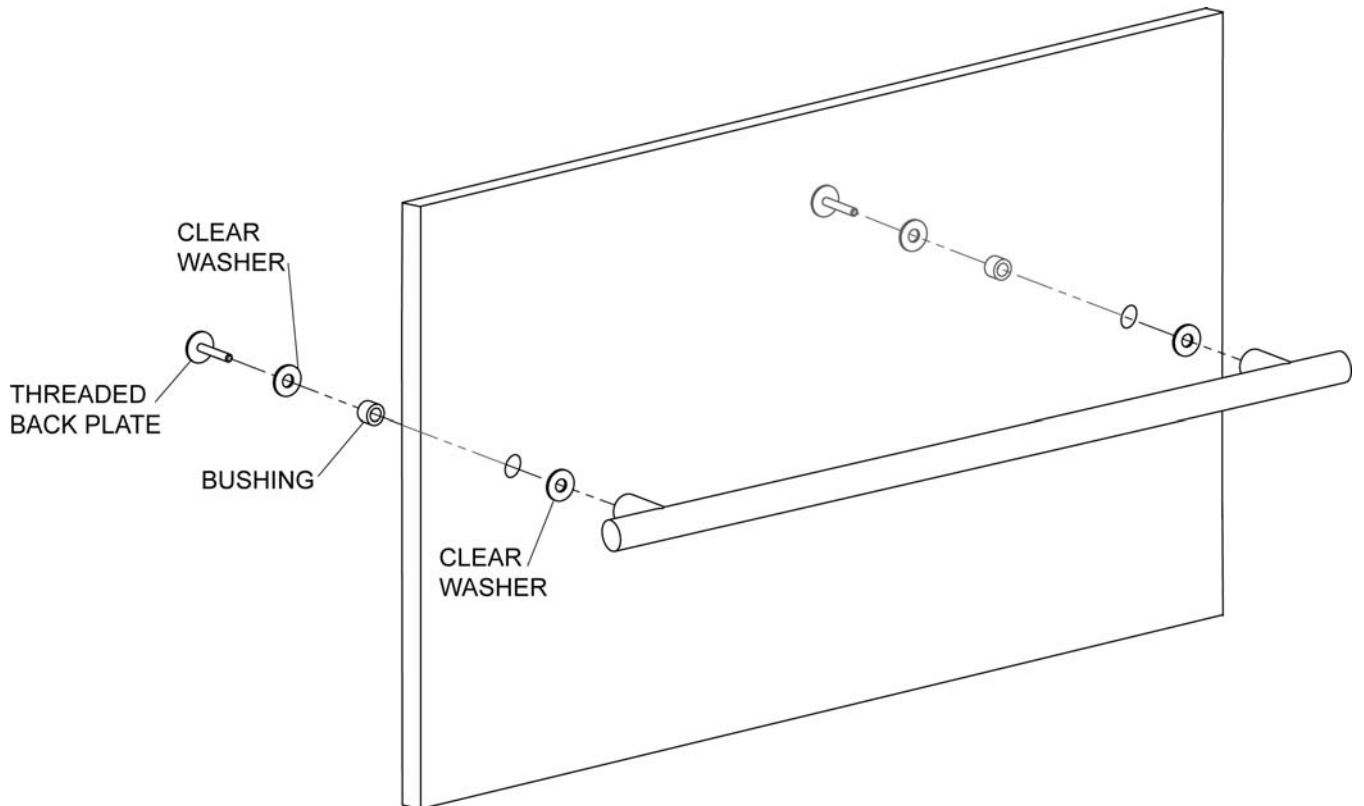
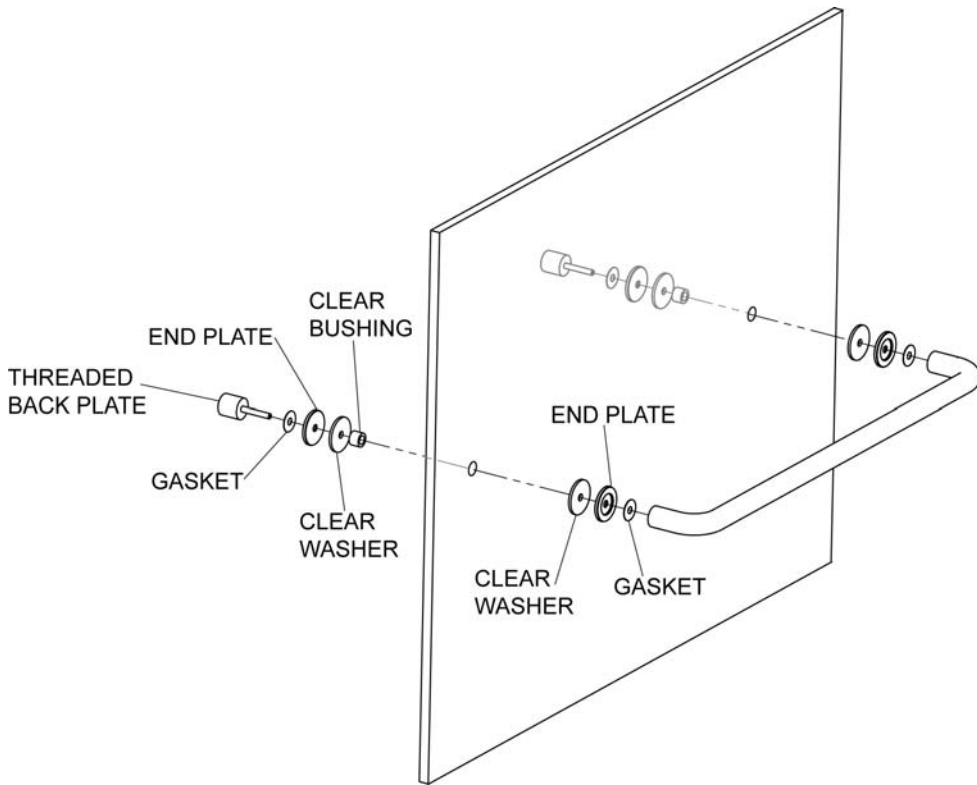


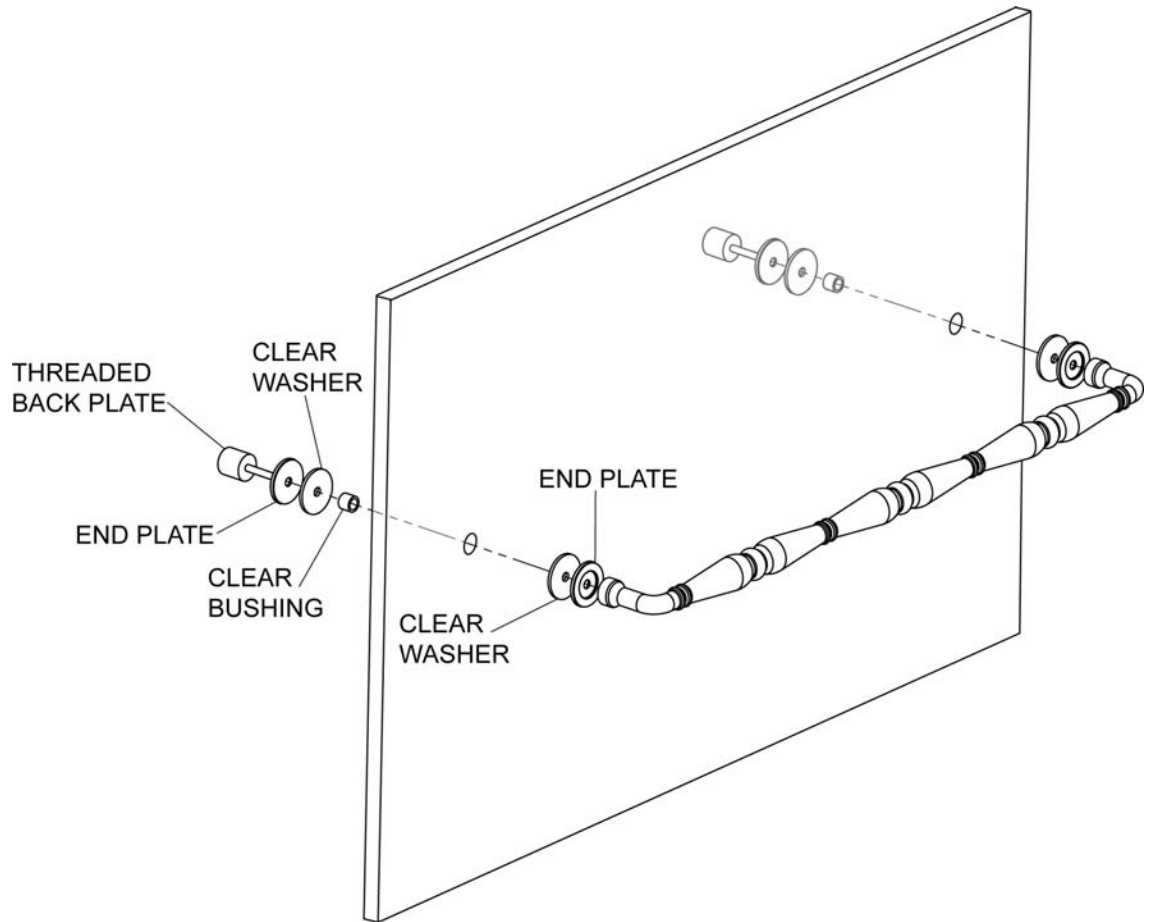
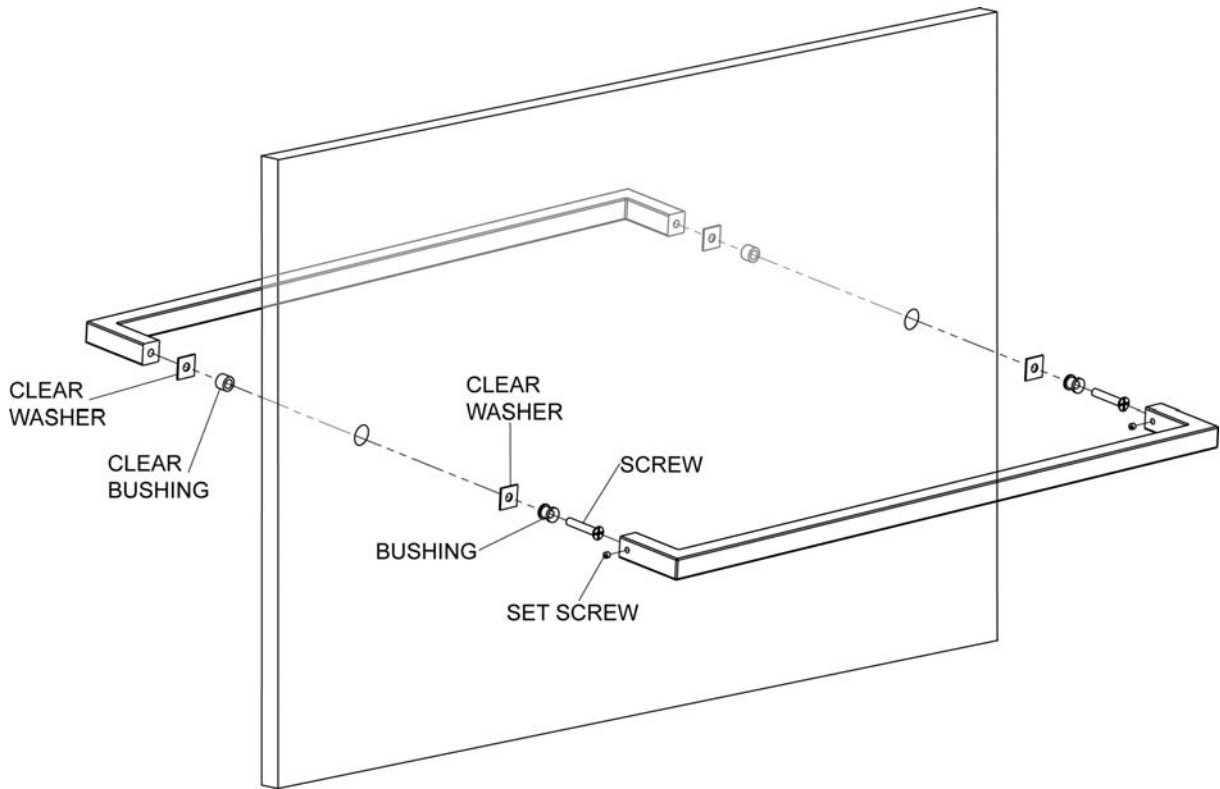




Installing Towel Bars:

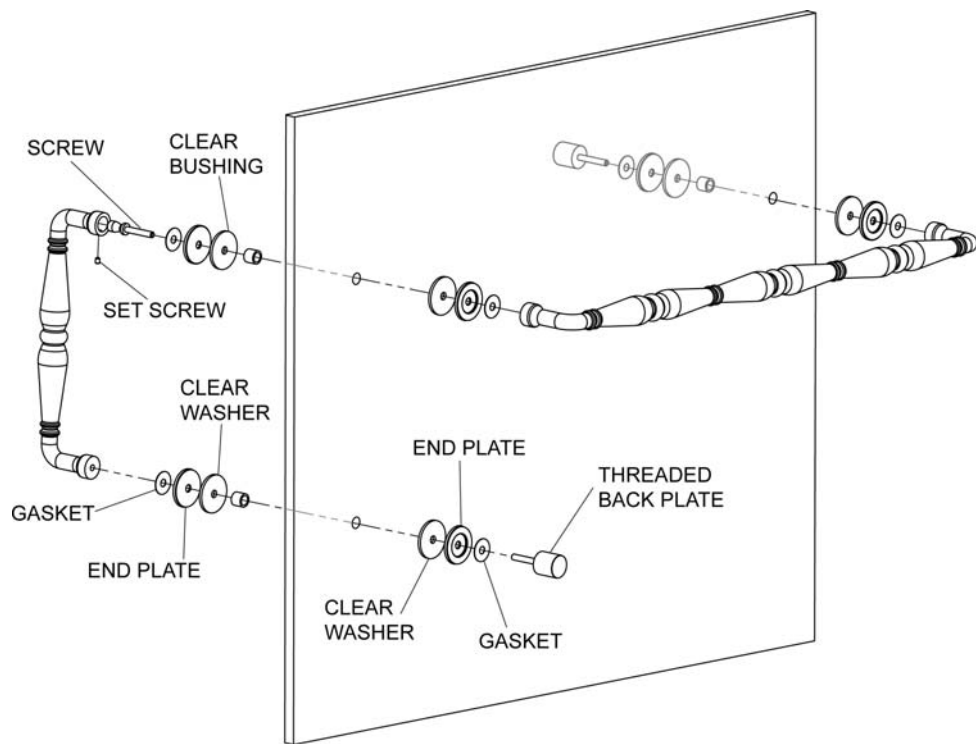
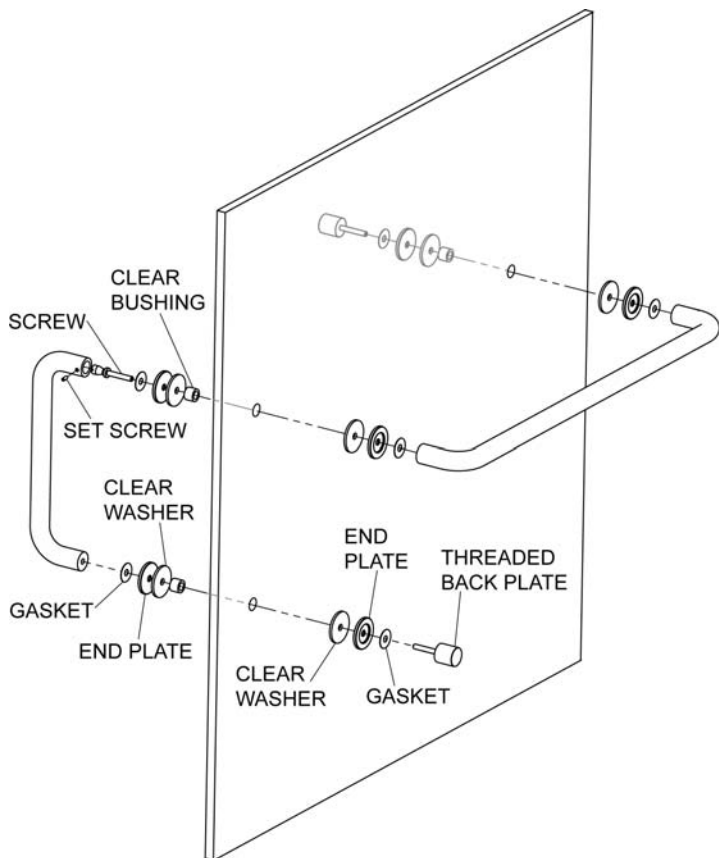
Assemble parts as shown. Screw the threaded back plate or screw into the towel bar holding the washers, end plates, and gaskets in place. Align other side of towel bar on opposite side of glass and tighten set screws





Installing Combination Towel Bars with Handle:

Assemble parts as shown. Screw washers, end plates, and gaskets into the towel bar through the glass using either a screw or the threaded back plate. Then align the handle on the other side of the glass. Tighten the set screws to hold the handle in place.



Installing Knobs:

Assemble parts as shown. Tighten each side of the knob onto the stud or tighten one side with screw and place other side on opposite side of glass and tighten with set screws.

