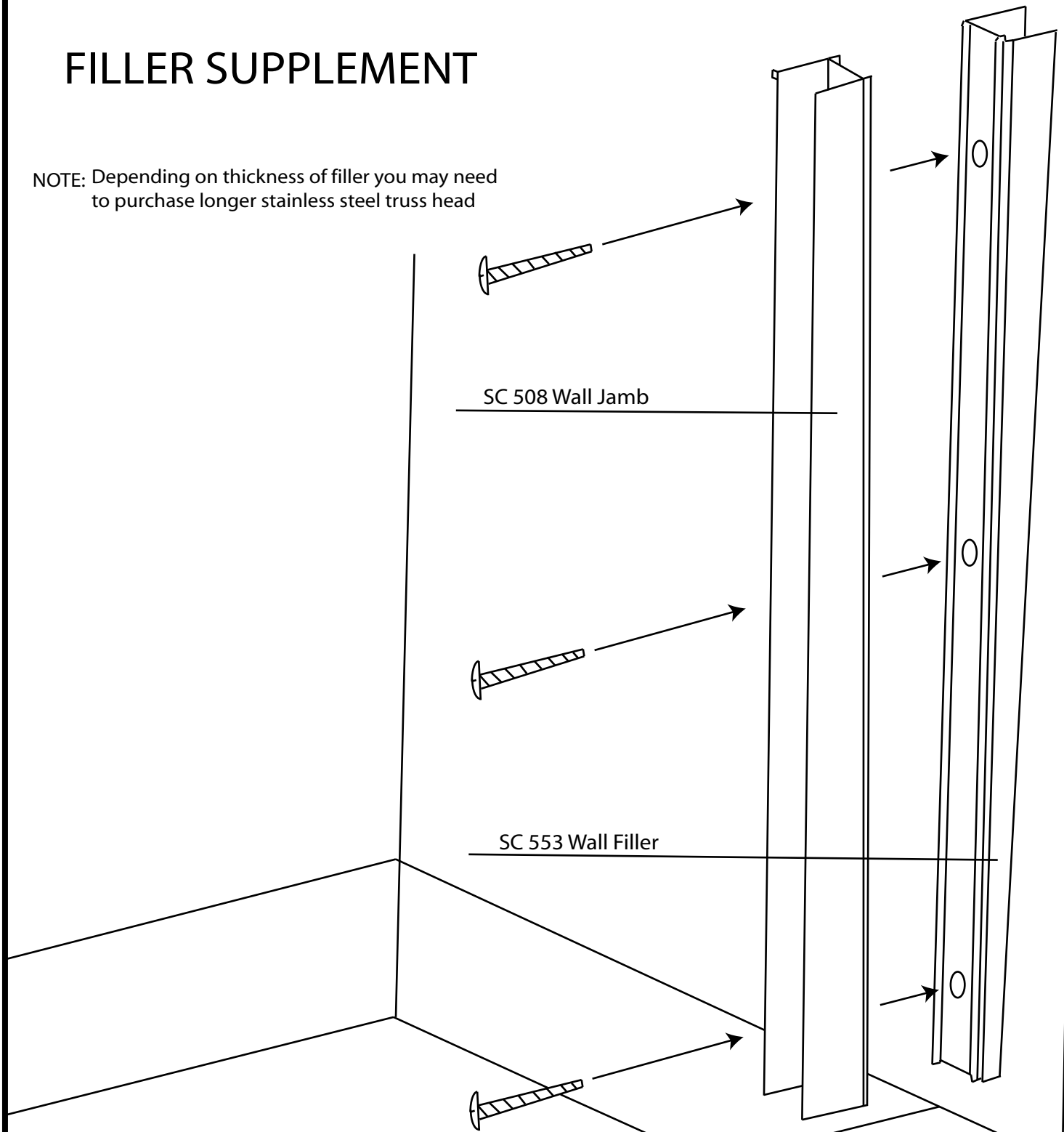
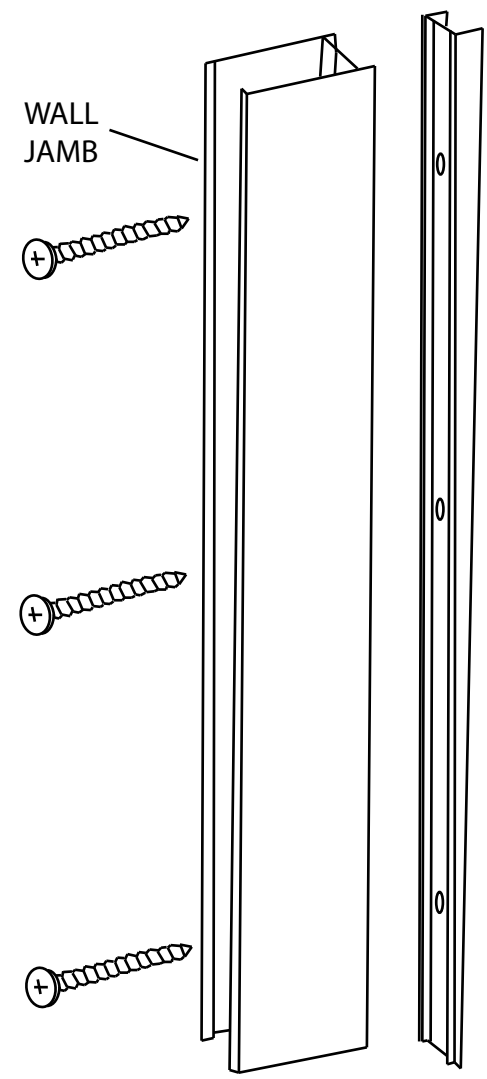
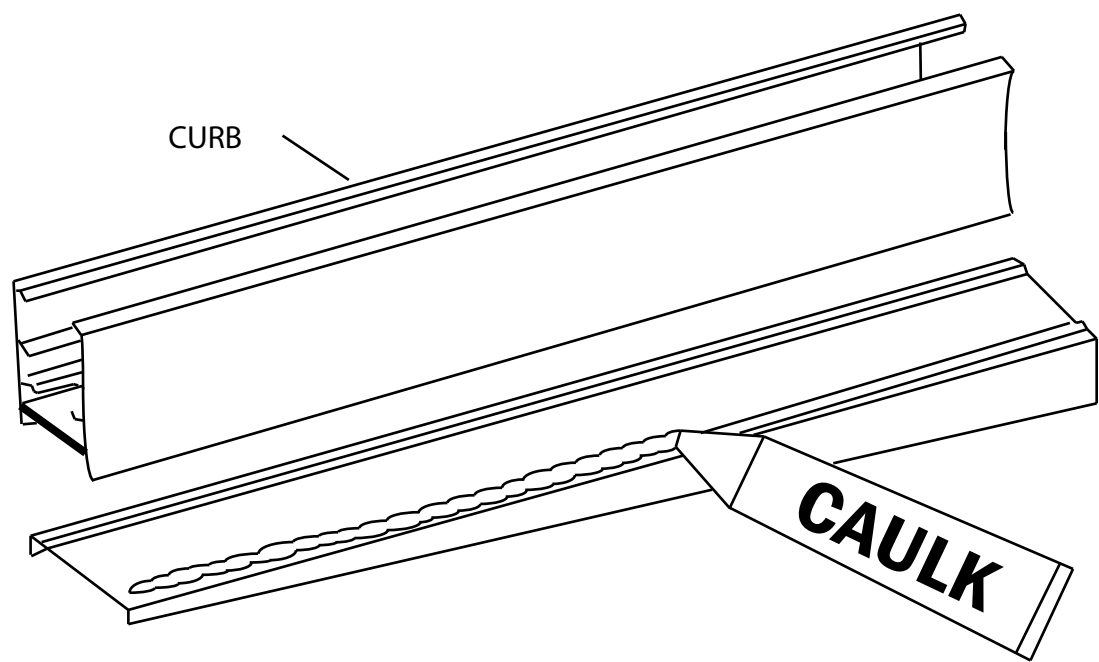


# FILLER SUPPLEMENT

NOTE: Depending on thickness of filler you may need to purchase longer stainless steel truss head



Replace wall filler and one wall jamb and attach them to the wall truss head screws inserted through the holes. Check Jamb for plumb and tighten screws. Do not overtighten the jamb screws.



SERIES	WIDTH X HEIGHT	DOOR GLASS SIZE	