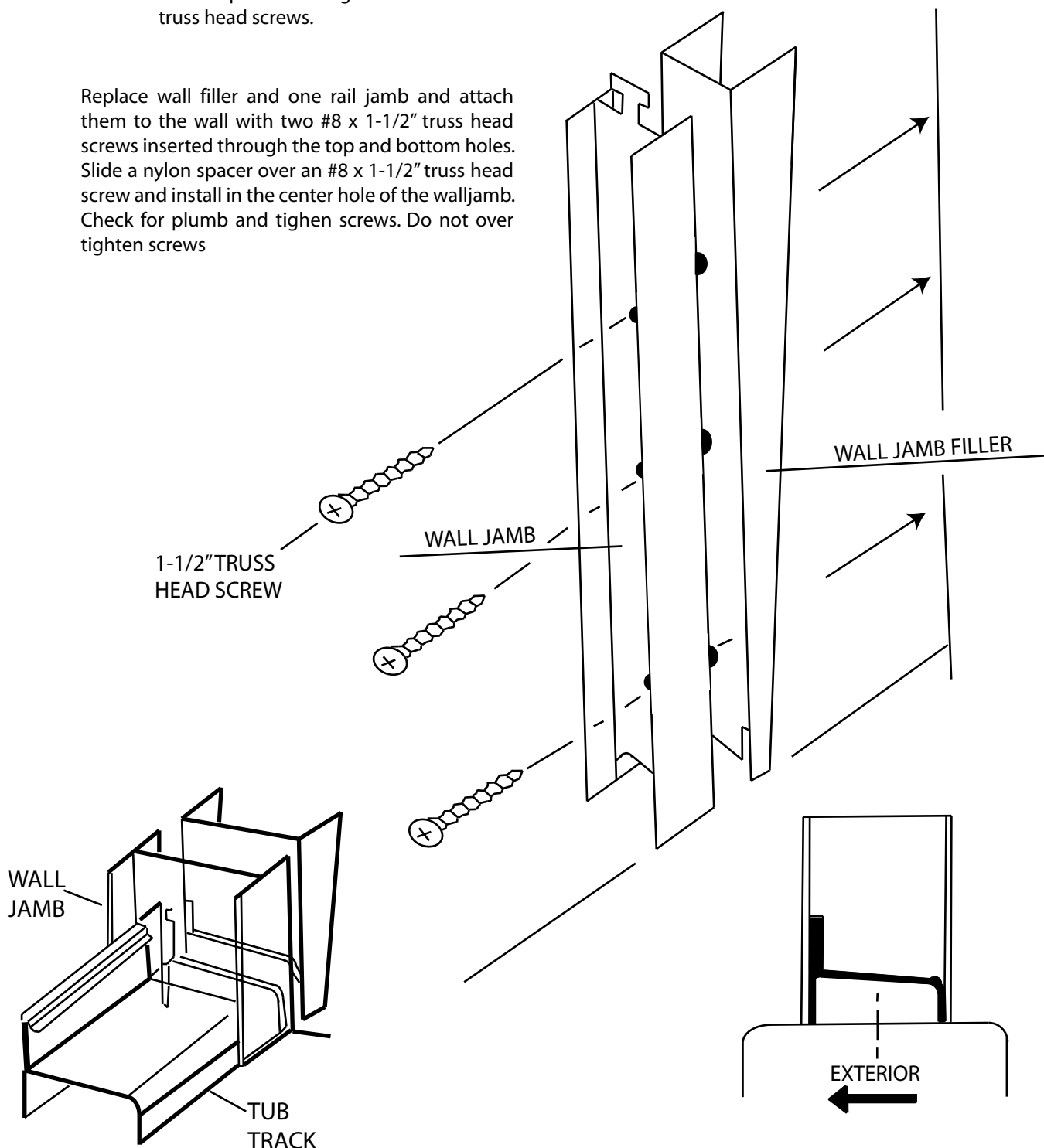


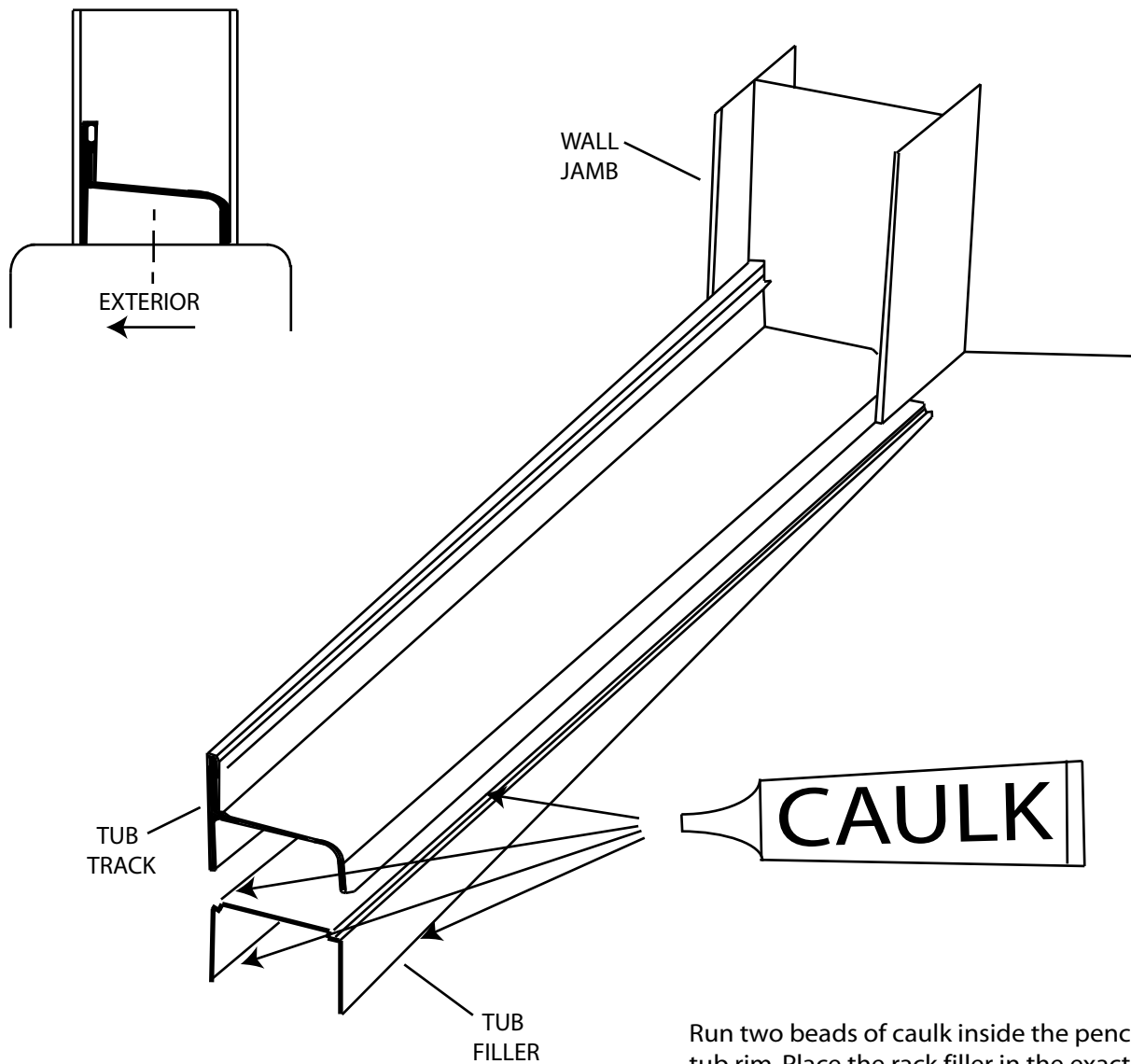
FILLER SUPPLEMENT FOR SLIDER UNITS

NOTE: Depending on thickness of filler you may need to purchase longer stainless steel truss head screws.

Replace wall filler and one rail jamb and attach them to the wall with two #8 x 1-1/2" truss head screws inserted through the top and bottom holes. Slide a nylon spacer over an #8 x 1-1/2" truss head screw and install in the center hole of the walljamb. Check for plumb and tighten screws. Do not over tighten screws



FILLER SUPPLEMENTAL FOR SLIDER DOORS



CAUTION: The track should never be screwed to the tub. This will damage the tub and cause leakage.

Run two beads of caulk inside the penciled mark on the tub rim. Place the rack filler in the exact position marked on Step #2 and seat firmly into the caulking

Then apply two additional beads of caulk on ridges of filler in which tub track will lock into place. Apply track to filler and seat firmly into caulking atop the tub track. Then proceed to Step #4 of the Instruction Manual.

NOTE: Improper caulking will result in leaks.