

SERVICE BULLETIN

BRIGGS & STRATTON TECHNOLOGIES

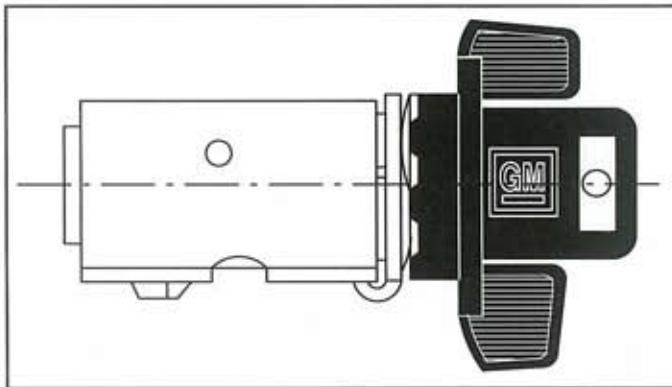
Automotive Systems Group

TO ALL AUTHORIZED SERVICE ACCOUNTS
AS-1975 MANUAL OWNERS
SUBJECT 701986 MECHANICAL HIGH SECURITY LOCK

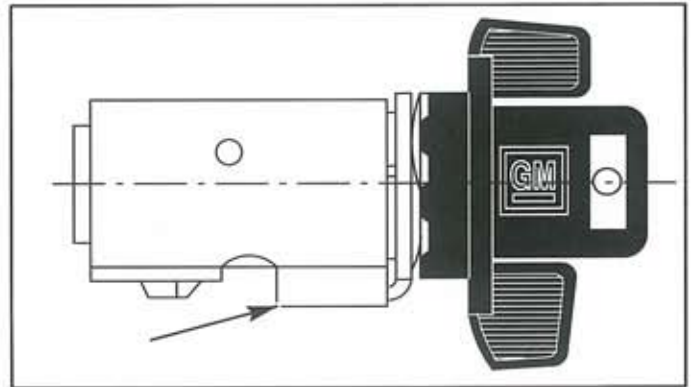
No. AS-1132
DATE 7-1-93
FILE IN Bulletin
Binder

A new MECHANICAL HIGH SECURITY IGNITION LOCK #701986 will be used on the 1993 B-Car (Caprice) and 1993 CK, ST, P, M- Trucks. Though similar to #700580, the locator lug on 701986 is larger. The pictures below show this difference between the two ignition locks.

THESE IGNITIONS ARE NOT INTERCHANGEABLE BETWEEN (prior-1992 and 1993) APPLICATIONS.



700580
(prior-1992)



701986
(1993)

1993 CK (Suburban, Blazer, Full Size Pick-Up), ST (Mini Blazer Pick-Up),
P (Forward Control Chassis), M (Mini Van), G (Full Size Van).

Fred Kosloske
Technical Service Representative