

SERVICE BULLETIN

BRIGGS & STRATTON TECHNOLOGIES

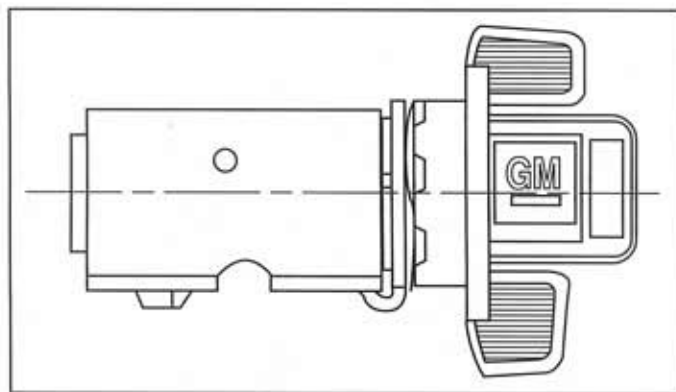
Automotive Systems Group

TO ALL AUTHORIZED SERVICE ACCOUNTS,
AS-1975 MANUAL OWNERS
SUBJECT 701759 HIGH SECURITY IGNITION LOCK

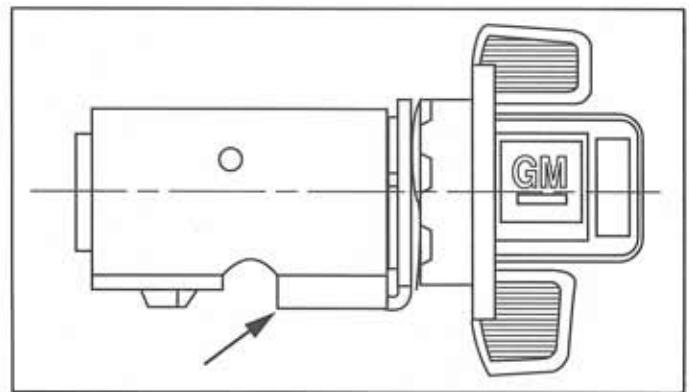
No. AS-1125
DATE 9-16-91
FILE IN Bulletin
Binder

A new HIGH SECURITY IGNITION LOCK #701759 will be used on the 1992 B-Car (Custom Cruiser, Road Master, Caprice). Though similar to 609530, the locator lug on 701759 is larger. The pictures below show this difference between the two ignition locks.

THESE IGNITIONS ARE NOT INTERCHANGEABLE BETWEEN (prior-1991 and 1992) APPLICATIONS.



609530
PRIOR-1991



701759
1992

BRIGGS & STRATTON TECHNOLOGIES
Fred Kosloske
Supervisor Aftermarket Sales