

Central Service Distributors
TO Authorized Automotive Service Distributors
AS-1975 Manual Owners

No. AS-1113
DATE 4/24/90
FILE IN

SUBJECT Service Procedure for the 701286 V.A.T.S. Ignition Lock

STEPS:

1. Disconnect negative terminal on battery and wait 10 minutes for S.I.R. system to dissipate.
2. Locate the .48 pin connector under the dash board. (Usually located behind fuse panel or just to the left of the steering column.) Loosen the metric bolt in the middle of the harness and pry the connector apart.
3. Locate the V.A.T.S. leads in the lower portion of the connector and slip the flat wiring assembly forward by gently prying between the connector body and the flat plastic retainer (See Fig. 1.)
4. Remove the wiring lock by pushing down on the detents and slide the wiring lock out of the back of the wiring assembly. (See Fig. 2.)
5. Using Kent-Moore Tool J-38125-13 insert the tool into the front of the wiring assembly. This should free the V.A.T.S. wires to slide easily out the rear. (See Fig. 3.)
6. Remove and re-install the V.A.T.S. ignition lock as you have in the past.
7. The new wire leads will snap into place where the old wire leads were removed.
8. Re-assemble connector in reverse order of disassembly.

NOTE: Always see vehicle service manual for instructions before servicing this or any V.A.T.S. equipped vehicle.

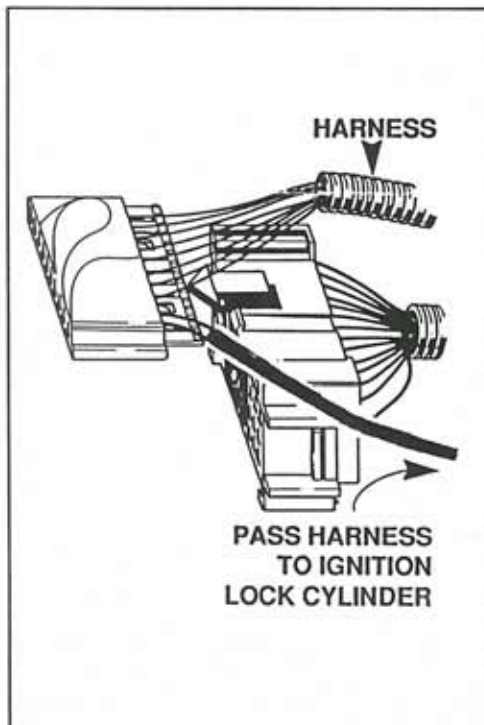


Fig. 1

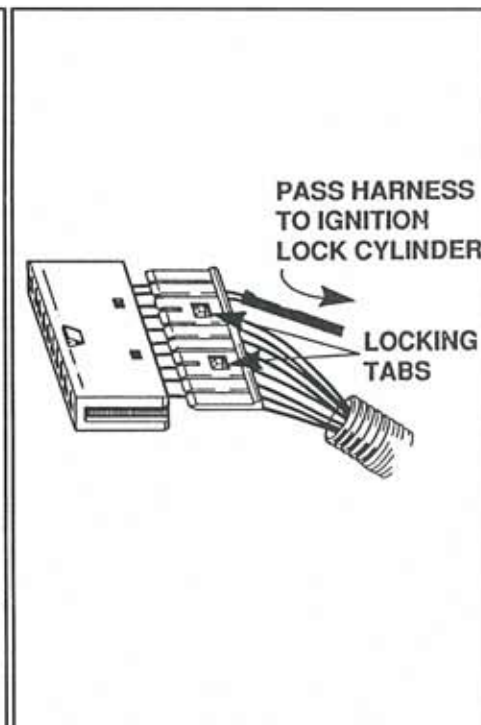


Fig. 2

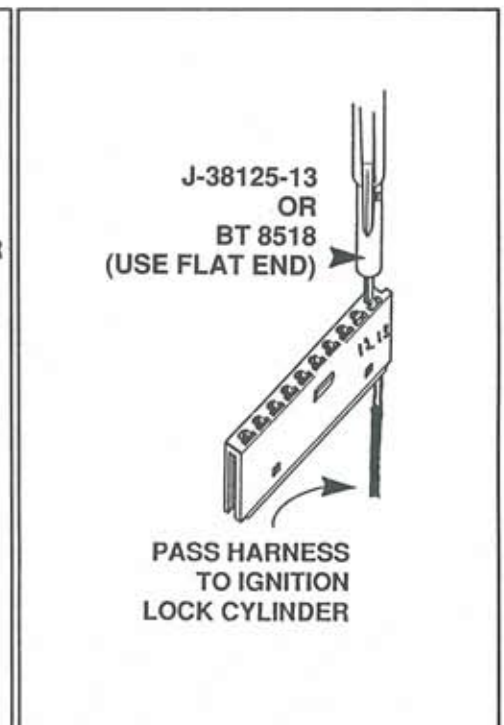


Fig. 3