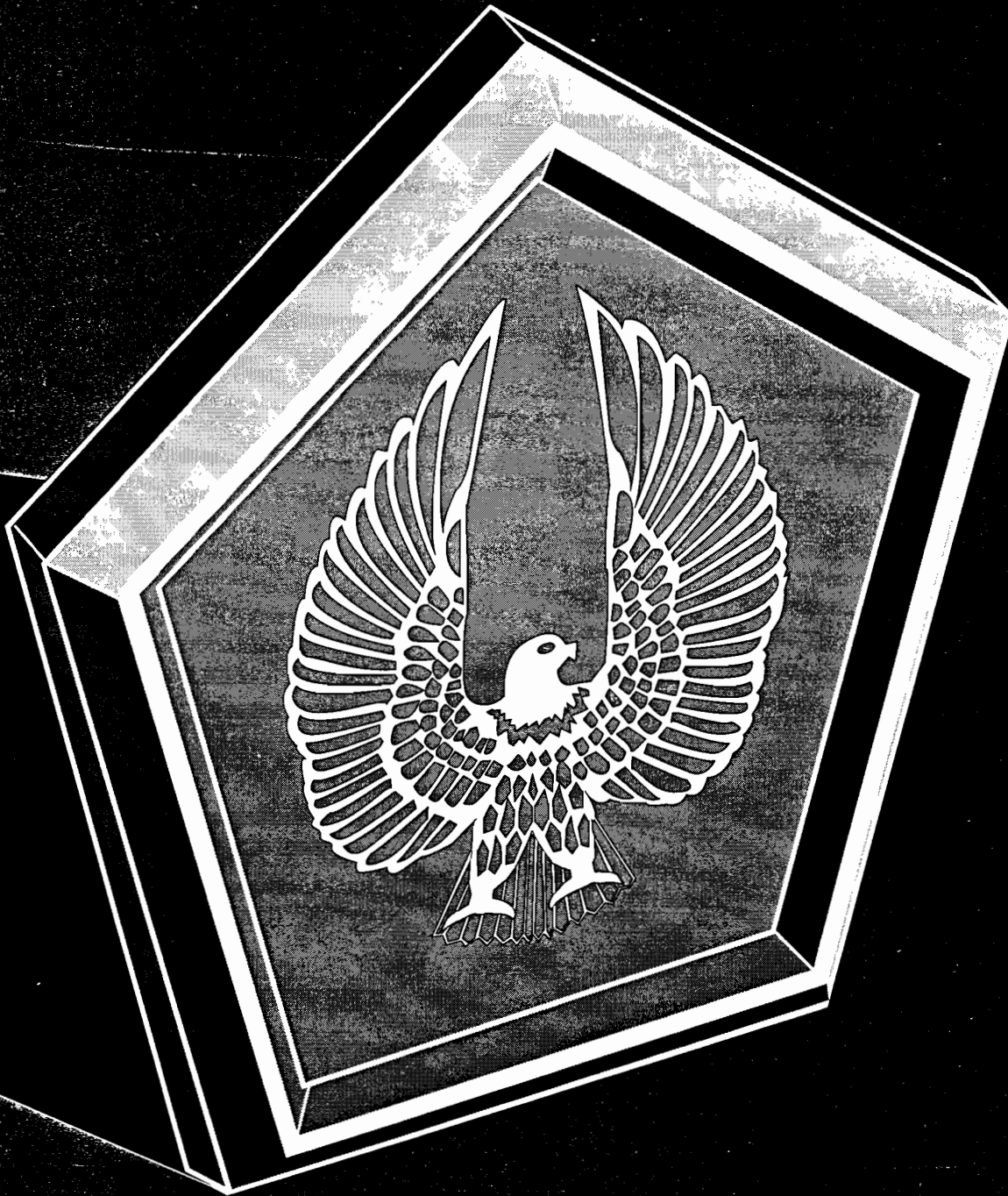


BRIGGS & STRATTON TECHNOLOGIES



30901

**CHRYSLER
CORPORATION**

INDEX

1993 Chrysler	3
Key Detail	4
Depth & Spacing Detail	4
Tumbler Detail	5
Caps-N-Shutters	5
Coding Instructions	6
Ignitions	6-7
A) Push-To-Lock (Accustar)	
B) Module Ignition	
C) Tilt (Saginaw, Pivot Design)	
Doors	8
A) Standard	
B) Snap-Cap	
C) Pawl-n-Part	
Rear Compartment & Tailgate	9
A) Standard w/Lever	
B) Standard w/Shaft	
C) 1994 New Yorker	
Cones Locks	9-10
A) Sundance and Shadow	
B) Standard	
C) 1994 New Yorker	
Glove & Seat Back	11
A) Squeeze Glove	
B) Paddle Glove	
C) Seat Back	

CHRYSLER BODY CHART

	PLYMOUTH	DODGE	CHRYSLER	EAGLE
A	Acclaim	Spirit	Lebaron Landau (4 dr)	
B		Full Size Van		
CC			New Yorker (1993)	
CD		Dynasty		
D		Ram Charger		
DT		Full Size Pick-up		
G		Daytona		
J			Lebaron Coupe & Convertible	
LH		Intrepid	Concorde New Yorker 207 (1994)	Vision
N		Dakota		
P	Sundance	Shadow		
S	Voyager	Caravan-Mini Ram Van		
YP			Imperial	
YS			5th Avenue	
IC			New Yorker (Mexico)	
IG			Dart (Mexico)	
SR	Viper			

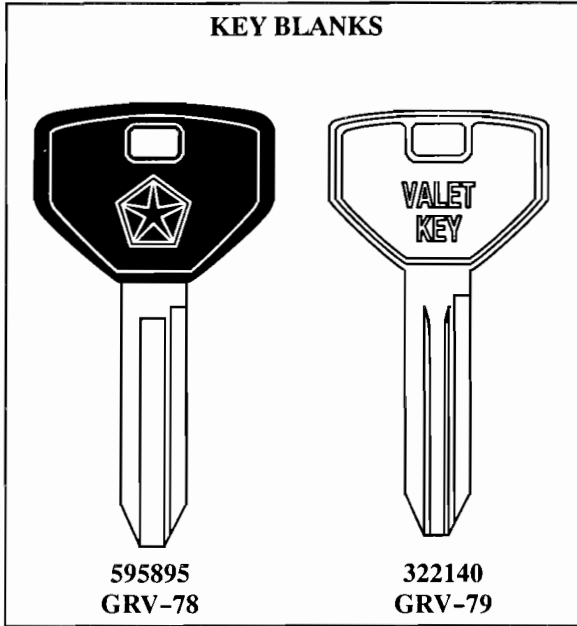
In 1993 Chrysler has improved security in their Double-Bitted locking system. All 1993 vehicles will utilize a new key groove (78 primary, 79 vallet), the change in key groove will initiate a keyway restricted vallet system and new J-Series codes. A seventh tumbler has been added to the ignitions.

To continue giving your customers the quality service their use to, the following should be noted when servicing the 1993 vehicles:

- Some new component parts have been added to the line, old component parts remain unchanged. (Tumblers, Caps, Shutters, Springs, Pawls, Shafts)
- New lock service packages will be required for 1993.

In fall 1992 Chrysler introduced its new LH vehicles (Eagle Vision, Chrysler Concorde, Dodge Intrepid). These vehicles have the security changed mentioned above and also are equipped with a new module style ignition. In the following pages you will find all service components and instructions needed to service all 1993 Chrysler locks.

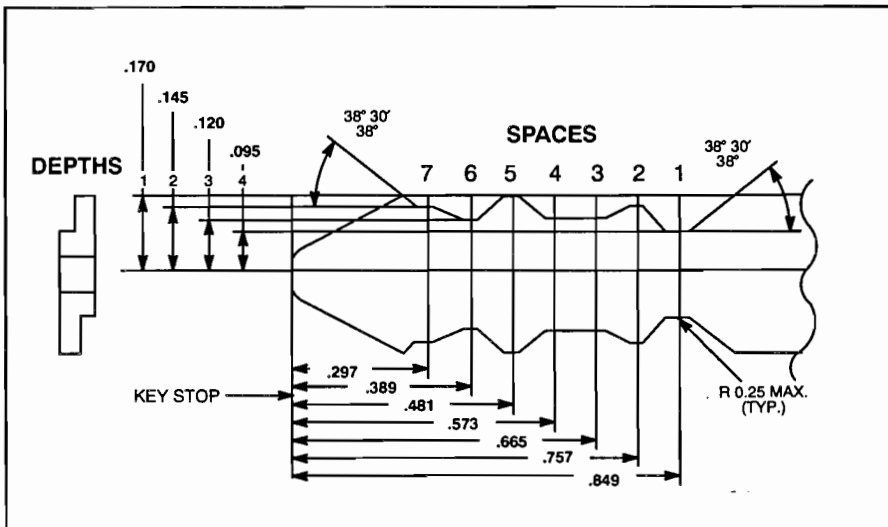
KEY DETAIL



- 1.) Keys are double sided and reversible.
- 2.) Single key operation - using a master/valet function.
- 3.) Code Series: J0001-J3580
 - A. The "J" codes will not be stamped on any of the locks.
 - B. A plastic bag with a bar coded paper label will accompany the car to the dealership.
- 4.) Please note that the X-59 key cutting card **should not** be used when cutting the "J" codes. Please use X-60 card.


KEY CODE	KEY BITTING	IGNITION	DOOR/DECK	TWIST I/P	I/P & SEATBACK
J0305	1244311	1244311	44311	4311	311
J0306	4332431	4332431	32431	2431	431
J0307	4344332	4344332	44332	4332	332
J0308	4311331	4311331	11331	1331	331
J0309	4422121	4422121	22121	2121	121
	3223431	3223431	23431	3431	
		1232131	32131		

DEPTH AND SPACING DETAIL



- 1.) The key is gauged from the tip of the key.
- 2.) Codes are listed bow to tip.
- 3.) Keys use 7 cuts and 4 depths.


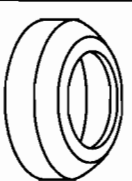










TUMBLER DETAIL

DOUBLE THROW TUMBLER 1990 - CURRENT

321761-#1
321762-#2
321763-#3
321764-#4
46890-Springs

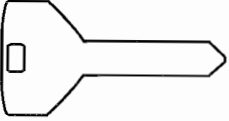
- 1.) Four tumblers are used that correspond to key cuts. 4 depths = 4 corresponding tumblers.
- 2.) All tumblers have numbers stamped on them.
- 3.) Tumblers are snap-in design.

IMPORTANT: Single Throw and double Throw Tumblers are **NOT** interchangeable. Use only with appropriate design.

CAPS-N-SHUTTERS

	SNAP CAP DOORS	SNAP CAP ILLUMINATED	SMALL CASE CAP DOORS & CONE LOCKS	LARGE CASE CAP REAR COMPT. LOCKS	UNIT SHUTTERS ALL	SHUTTER SPRINGS ALL	ZINC CASE CAP REAR COMP.
CHROME	 321504	 321830	 321847	 321709	 594753	 46766	 311446
BLACK	 321576		 321848	 321710	 594391	 46766	

CODING INSTRUCTIONS

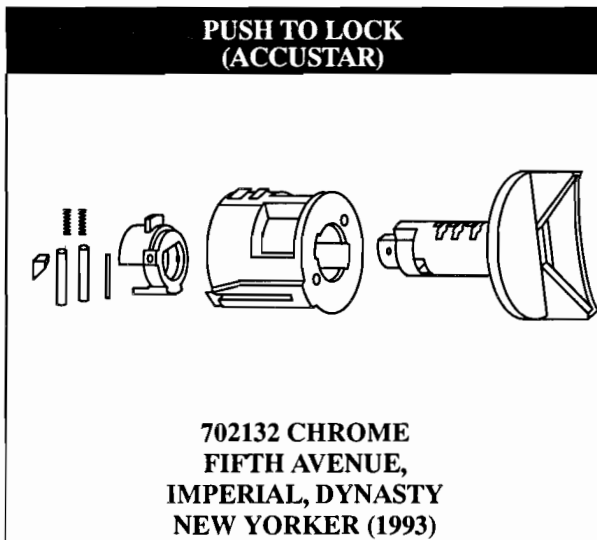


BITTING CHART

Lock Assembly	1	2	3	4	5	6	7	
Ignition	x	x	x	x	x	x	x	all 7 cuts
Door			x	x	x	x	x	last 5 cuts
Rear Compartment			x	x	x	x	x	last 5 cuts
Glove Box					x	x	x	last 3 cuts
Seat Back					x	x	x	last 3 cuts

- 1.) Determine bitting of the MASTER KEY from code book or key.
- 2.) From the bitting chart, determine tumbler positions required for lock service.
- 3.) Install appropriate springs and tumblers.
- 4.) Snap into place.
- 5.) Test with MASTER key.

IGNITIONS



- 1.) Tumbler positions required 1 - 2 - 3 - 4 - 5 - 6 - 7.
- 2.) Sub-assemble detent pins & springs into housing assembly - set aside (face-up).
- 3.) See coding instructions.
- 4.) Insert buzzer actuator into lock cylinder with angled side towards the cylinder knob.
- 5.) Insert key into cylinder (slowly).
- 6.) Assembly

A. Hold lock cylinder with buzzer actuator on top in right hand.

B. Hold lock case with buzzer tab on top in left hand.

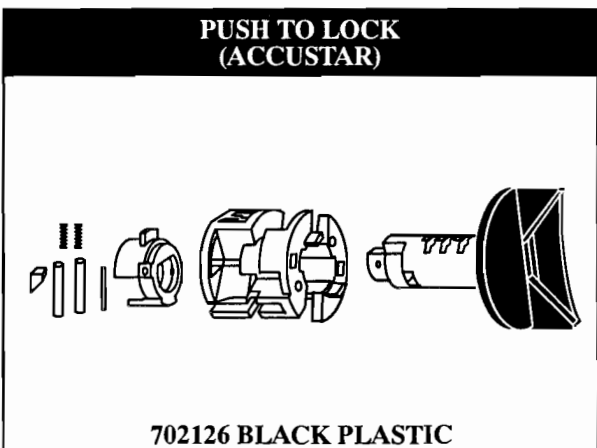
C. With buzzer actuator & buzzer tab aligned side lock cylinder into case until it stops (approximately 1/2 way).

D. Turn lock cylinder 45° counterclockwise & push in until it stops.

E. Turn lock cylinder 45° clockwise & push in until cylinder fully seats into lock case.

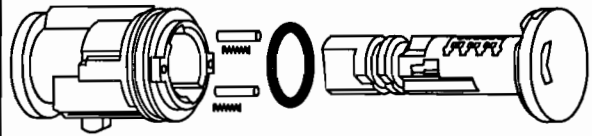
F. Hold cylinder knob down with thumb & remove key.

- 7.) Install driver & spirol pin.



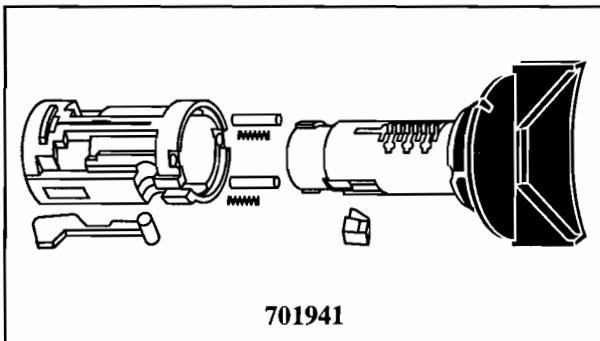
IGNITIONS

MODULE IGNITION



702131

- 1.) Tumbler positions required 1 - 2 - 3 - 4 - 5 - 6 - 7.
- 2.) Slide O-ring over front of lock case. Should seat in slot right behind detent hole bosses.
- 3.) Sub-assembly springs & detent pins into lock case assembly-set aside (face up).
- 4.) See Coding instructions.



701941

- 1.) Tumbler positions required 1 - 2 - 3 - 4 - 5 - 6 - 7.
- 2.) See coding instructions.
- 3.) Slide buzzer actuator lever into lock case. Lever tip should protrude out from lock case.
- 4.) Sub-assembly springs & detent pins into housing assembly - set aside (face up).

5.) Insert buzzer actuator into lock cylinder with long end of actuator facing down. Actuator should be flush with O.D. of cylinder.

6.) Insert key into cylinder slowly.

7.) Assembly

A. Hold lock cylinder with buzzer actuator facing you approximately 10 o'clock in right hand.

B. Hold lock case with retainer block facing away from you in left hand.

C. Insert cylinder into lock case until cylinder seats against detent pins.

D. Turn cylinder 45° clockwise.

E. Turn key to run position, depress retainer block and insert into ignition module.

5.) Insert buzzer actuator into lock cylinder. Actuator can only be installed one way.

6.) Insert key into cylinder slowly.

7.) Assembly

A. Hold lock cylinder with buzzer actuator facing you (approximately 10 o'clock) in right hand.

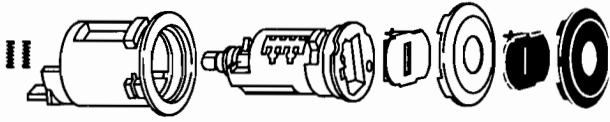
B. Hold lock case with buzzer actuator lever facing you (approximately 10 o'clock) in left hand.

C. Insert cylinder & key into lock case.

D. When cylinder is fully seated against detent pins, turn cylinder in the clockwise direction.

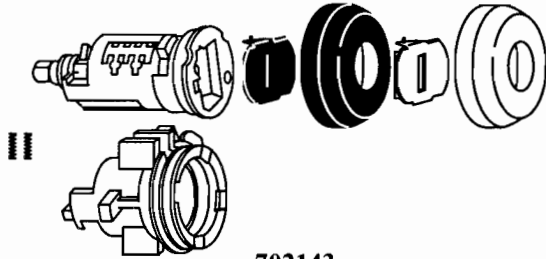
DOORS

STANDARD



702127

SNAP-CAP



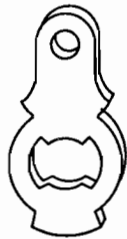
702143

702144 CARGO DOOR

702133 Illuminated

- 1.) Tumbler positions required 1 - 2 - 3 - 4 - 5.
- 2.) See coding instructions.
- 3.) Install cylinder into lock case. (Note: Place return spring cavity in alignment with drain hole.)
- 4.) Place shutter springs 7 unit shutter on cylinder face and snap or stake on case cap.
- 5.) Install double-acting return spring.
- 6.) Install universal lock pawl & E-Clip for right hand or left hand application.

PAWLS-N-PARTS



321570-FLAT

321633-1.8 MM OFFSET

321732-7.7 MM OFFSET

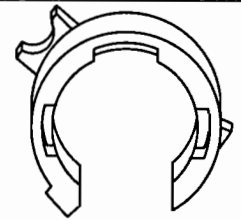
321736-4.5 MM OFFSET

322110-2.2 MM OFFSET

321896 CARGO DOOR



46822



31166

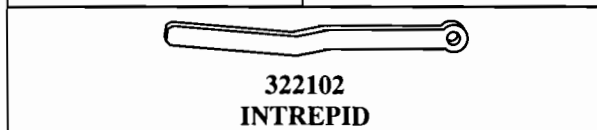
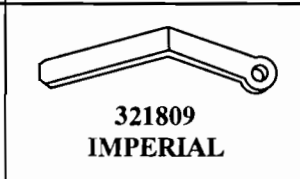
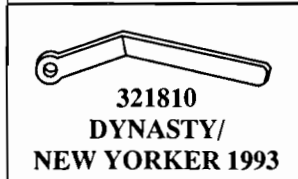
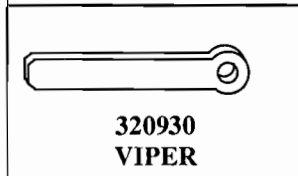
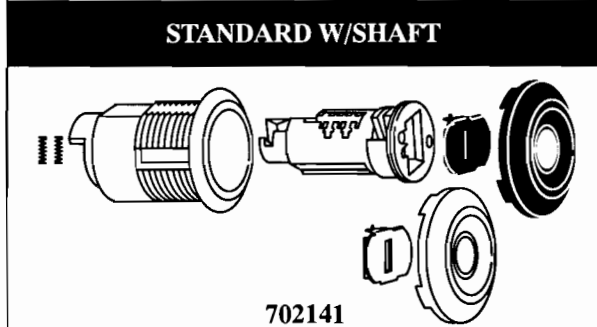
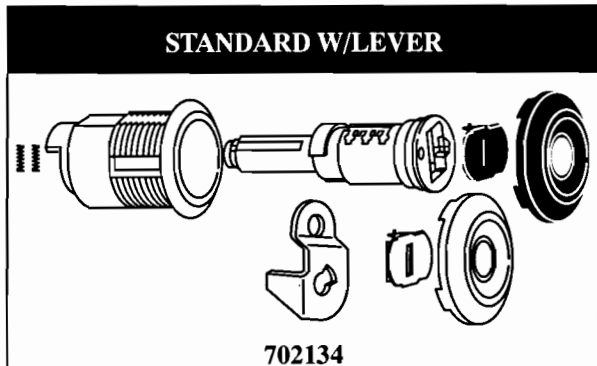



93981

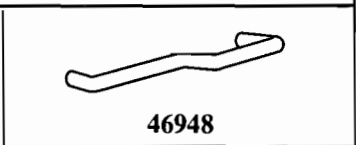
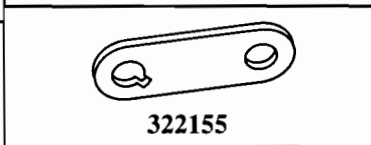
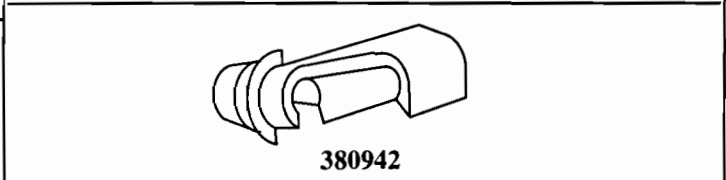
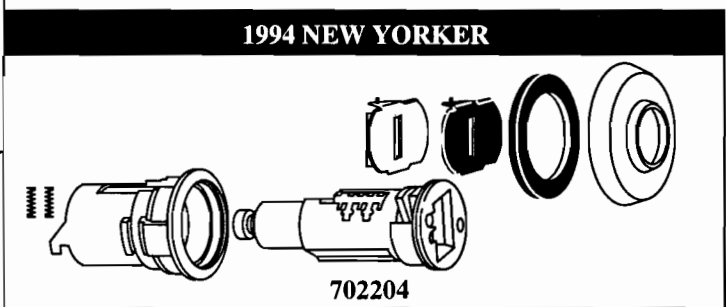


31167

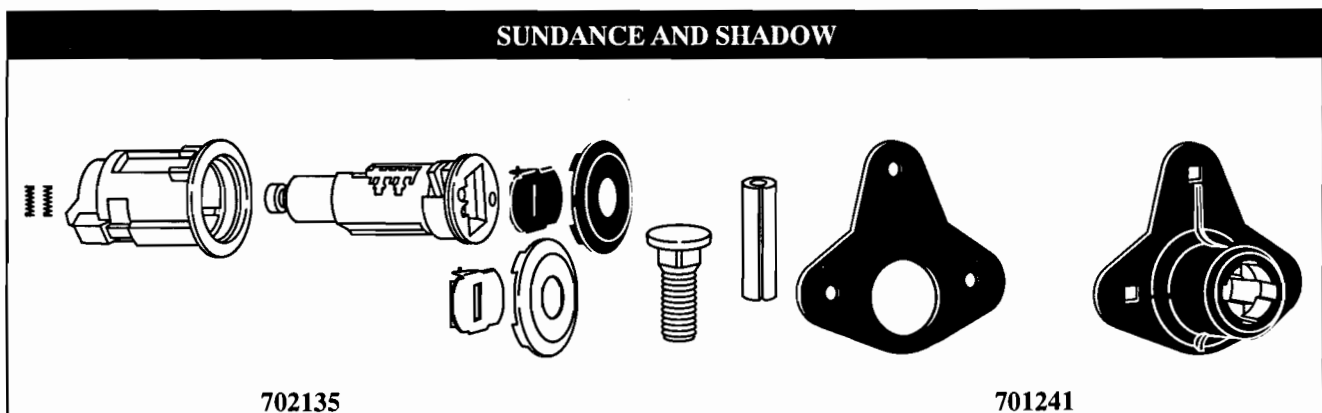
REAR COMPARTMENT & TAILGATE



- 1.) Tumbler positions required 3 - 4 - 5 - 6 - 7.
- 2.) See coding instructions.
- 3.) Hold lock case with drain hole at 6 o'clock. Insert cylinder & key into case with return spring groove at 3 o'clock.
- 4.) Turn cylinder counterclockwise until it stops & remove key.
- 5.) Place shutter springs & unit shutter on cylinder face & stake on case cap.
- 6.) Install lock cylinder into cone housing (if applicable).
- 7.) Install return spring. 
- 8.) Install lever or shaft.

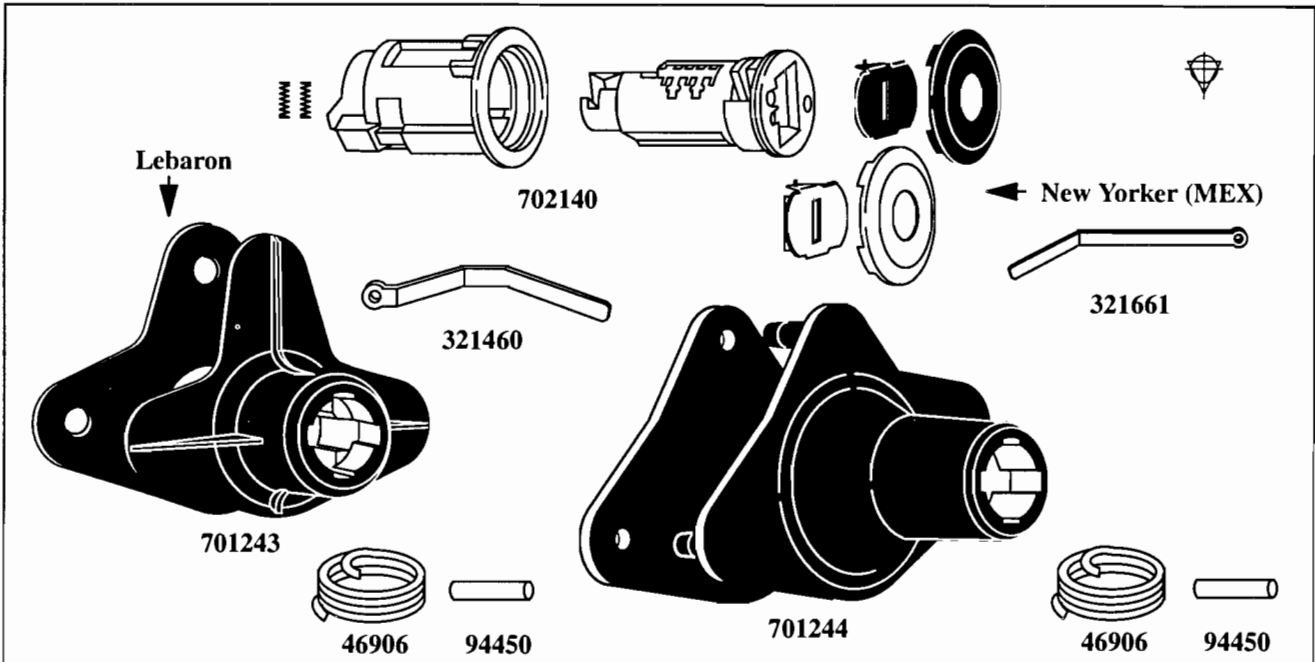
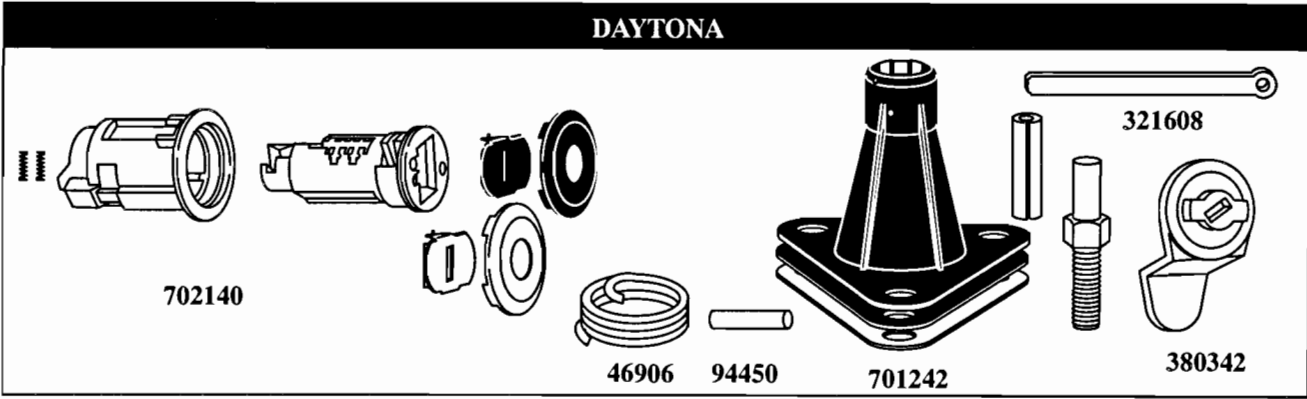


CONE LOCKS

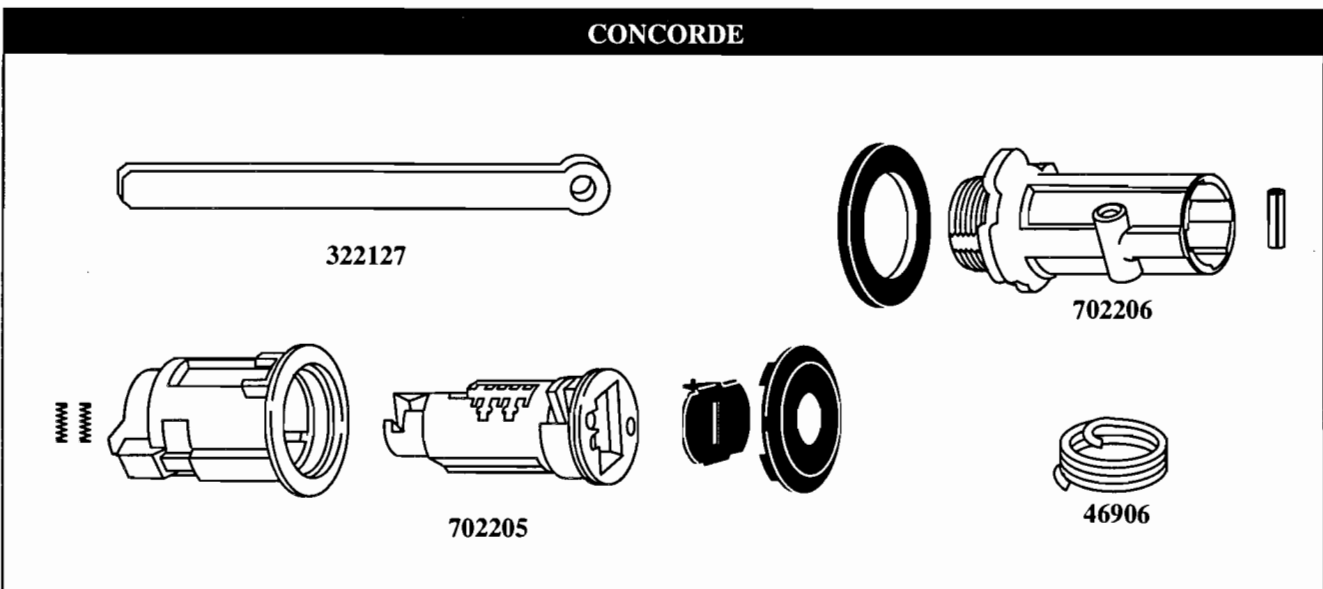


CONE LOCKS (Cont'd.)

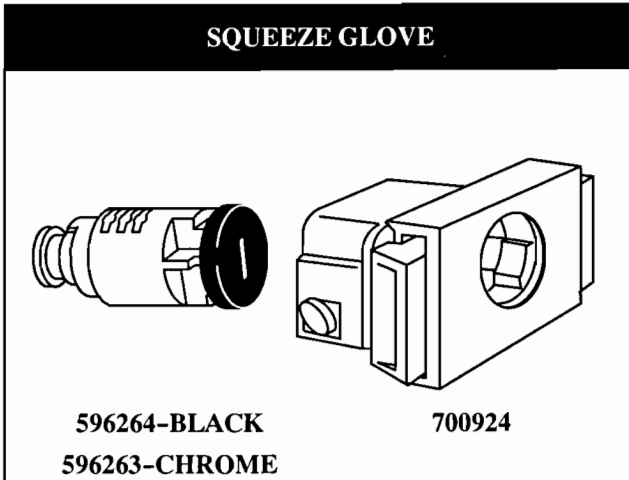
DAYTONA



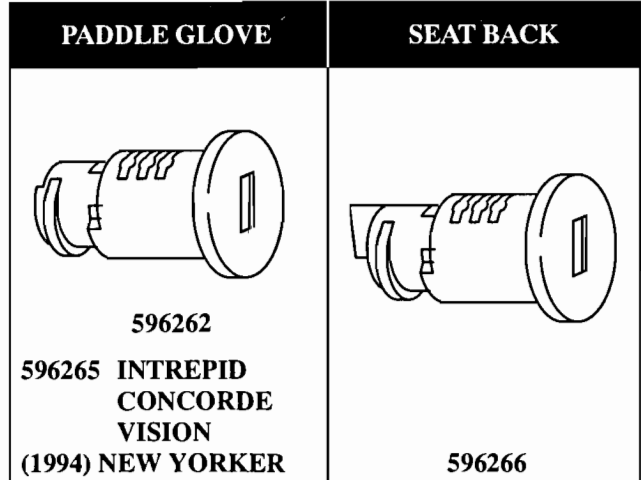
CONCORDE



GLOVE - SEAT BACK



Remove cylinder by spreading the two tabs on the back side of the squeeze latch.

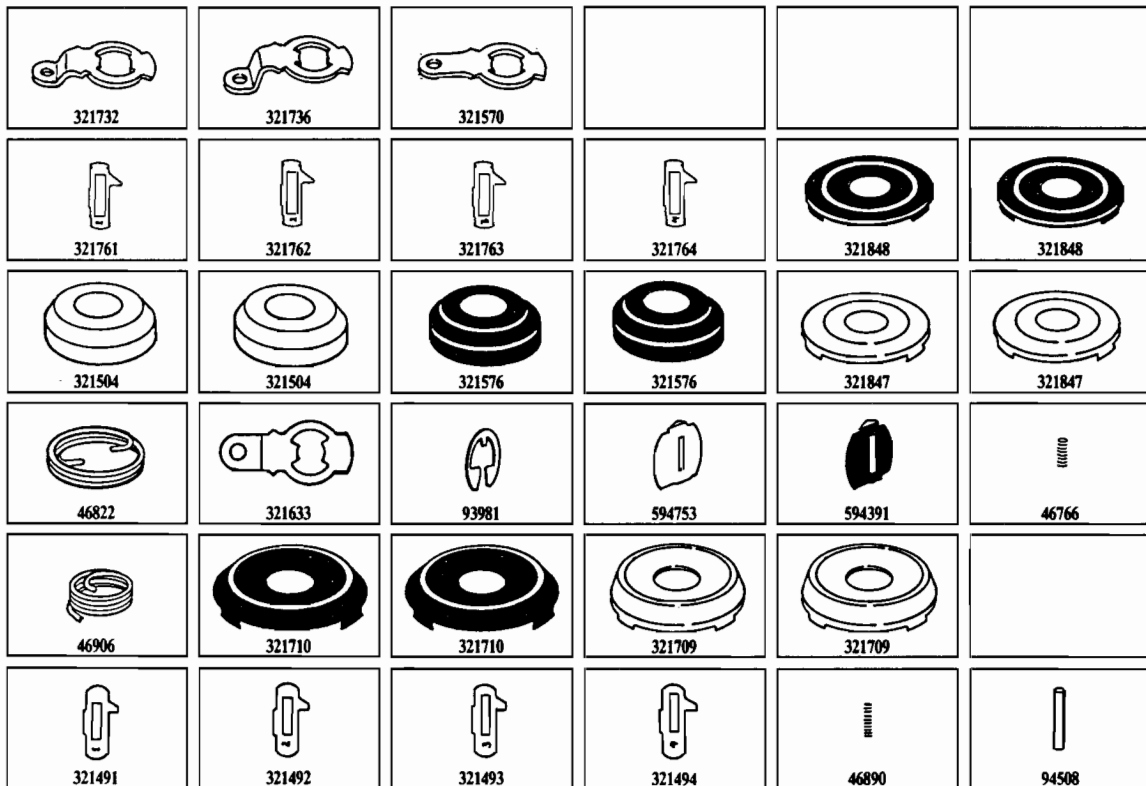


Remove cylinder by depressing retainer on the back of the cylinder recode and reinstall.

NOTE: All new Glove and Seat Back Cylinders will use Double Throw Tumblers, even though all tumblers are located on one side of the cylinder.

- 1.) Tumbler positions required 5 - 6 - 7.
- 2.) See coding instructions.

COMPLETE SERVICE KIT B&S PART #701417



NOTE: IF YOU HAVE ALREADY PURCHASED A 700918 SERVICE KIT, SIMPLY ORDER UPDATE KIT #701416 TO RECEIVE ALL THE NEW PARTS. (700918 & 701416 = 701417)

ALL PARTS MAYBE ORDERED INDIVIDUALLY — FOR REFILL PURPOSES