

4

3

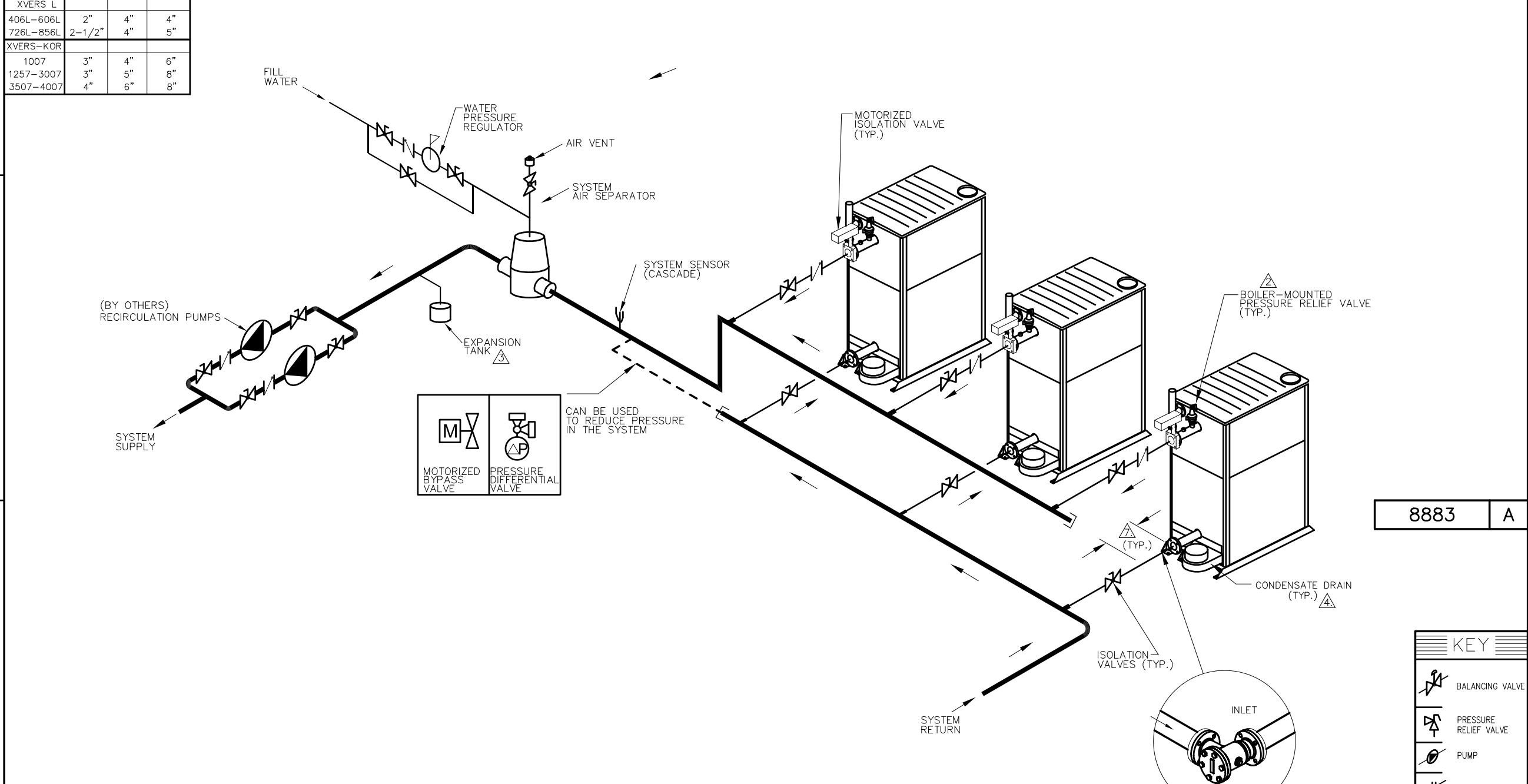
2

1

PIPE SIZES			
	UNIT	2 UNITS	3 UNITS
XVERS			
0856	3"	5"	5"
1006-3006	4"	5"	6"
XVERS L			
406L-606L	2"	4"	4"
726L-856L	2-1/2"	4"	5"
XVERS-KOR			
1007	3"	4"	6"
1257-3007	3"	5"	8"
3507-4007	4"	6"	8"

THIS PIPING DIAGRAM IS RAYPAK'S RECOMMENDATION AND IS NOT INTENDED TO REPLACE AN ENGINEERED PIPING SYSTEM DESIGNED BY A PROFESSIONAL ENGINEER.

REVISIONS						
REV	ZONE	DESCRIPTION	E.O.	BY	DATE	CHECK
A		ADDED XVERS L AND XVERS-KOR SIZES	SPR	DCF	1/26/22	



- NOTES:
1. PLUMB SWING CHECK VALVE IN GRAVITY-CLOSED POSITION.
 2. PIPE ALL RELIEF VALVES TO DRAIN, OR AS LOCAL CODES REQUIRE.
 3. PROVIDE FOR THERMAL EXPANSION OF HOT WATER IF A BACKFLOW PREVENTER, CHECK VALVE, WATER METER OR PRESSURE-REDUCING VALVE IS INSTALLED IN THE COLD WATER LINE.
 4. CONDENSATE MUST BE PIPED TO AN APPROVED DRAIN. LOCAL CODE MAY REQUIRE PH TREATMENT PRIOR TO DRAIN.
 5. SEE CHART "PIPE SIZES" FOR PIPE SIZES, CALCULATED AT MAXIMUM FLOW, NOT TO EXCEED 7.5 FT/SEC.
 6. PIPING BRANCHES ARE TO BE EQUIDISTANT TO PROVIDE BALANCED FLOW.
- △ MUST HAVE EITHER 20" MINIMUM OF STRAIGHT 3" PIPE OR A SUCTION DIFFUSER.

8883 A

KEY	
	BALANCING VALVE
	PRESSURE RELIEF VALVE
	PUMP
	UNION
	CHECK VALVE
	BALL VALVE
	THERMOMETER

ACAD: 8883.DWG
BOILERS SHOWN REPRESENT VARIOUS MODELS. BECAUSE INDIVIDUAL MODELS WILL VARY IN DESIGN AND SIZING, SEE EACH SPECIFIC BOILER TYPE FOR DETAILS.

UNLESS OTHERWISE SPECIFIED: ALL UNITS ARE IN INCHES FRACTIONS ±1/32 ANGLES ±1° X.X = ±.12 X.XX = ±.06 X.XX = ±.03 X.XXX = ±.010 DRAFT ____ WALL ____ RADII ____ CONCENTRICITIES .020 DIA. SQUARENESS .015 IN./IN. BREAK EDGES .015 MAX. SURFACE FINISH PER ASME Y14.36M-1996		APPROVED	DATE		OXNARD, CALIFORNIA
CHECKED D. BALDWIN	DATE 4/10/18	E.O. SPR	SCALE NONE		
DRAWN J SIRON	DATE 2-12-18	RAYPAK PROPRIETARY AND CONFIDENTIAL INFORMATION This drawing contains Confidential and Proprietary Information of Raypak, Inc. All rights reserved by Raypak, Inc.			
TITLE PIPING, HYDRONIC: 3 XVERS PRIMARY					
MAT'L.	SERIES/MODEL H	SIZE C	DWG. NO. 8883	REV A	

4

3

2

1

D

C

B

A

D

C

B

A